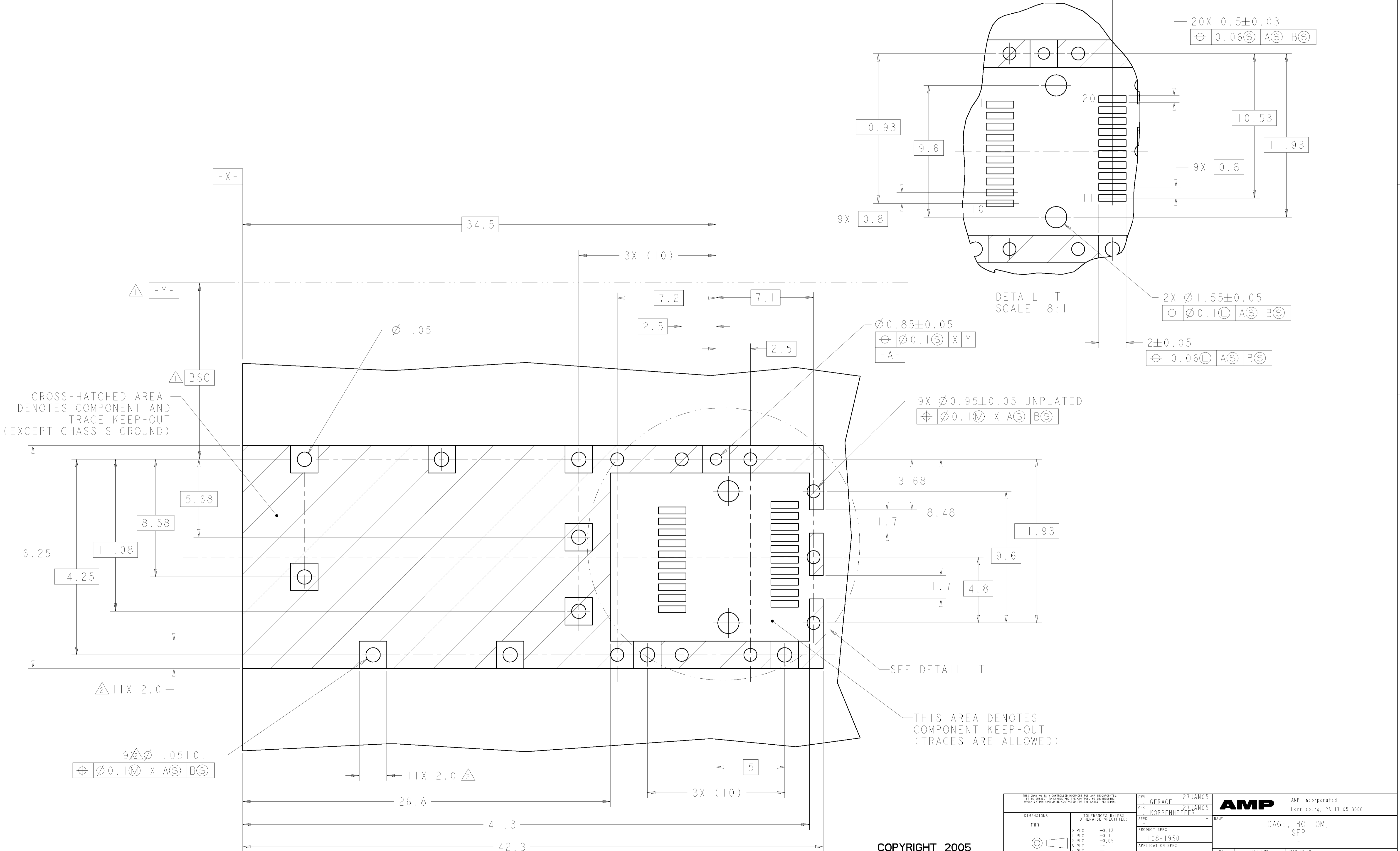


LOC	DIST	REVISIONS			
F	LTR	DESCRIPTION	DATE	DWN	APPD
1		SEE SHEET 1			

# PRELIMINARY NOT RELEASED FOR PRODUCTION

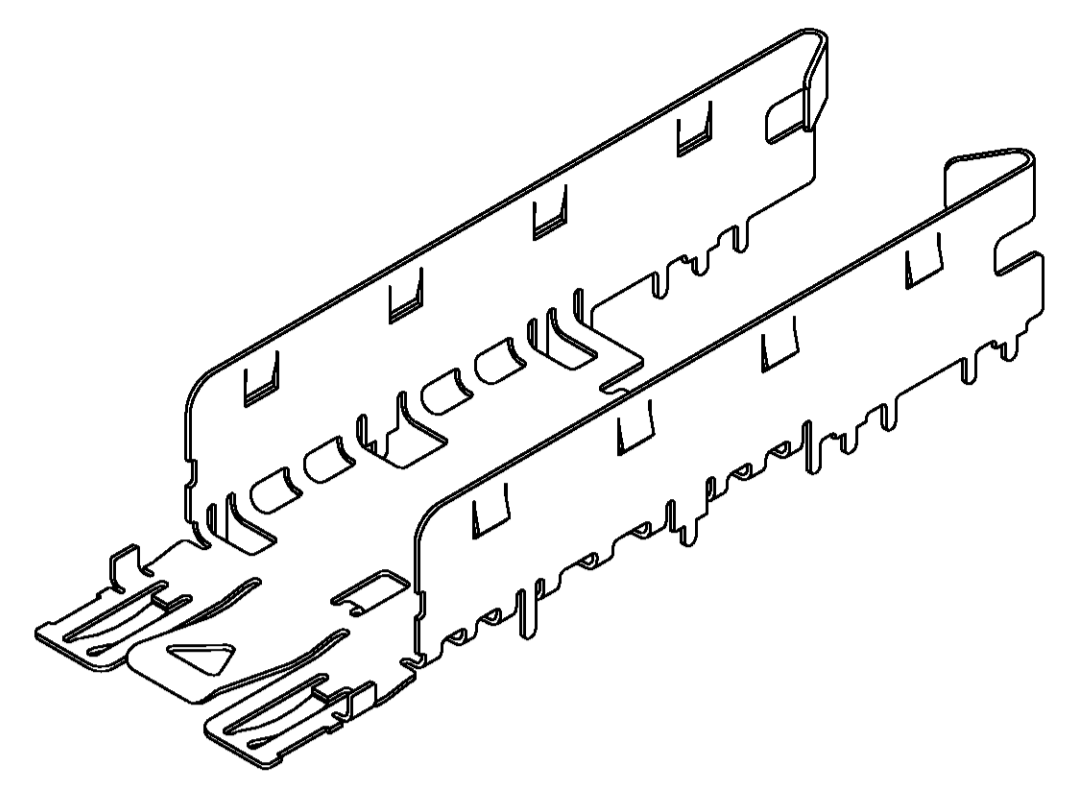


COPYRIGHT 2005  
 TYCO ELECTRONICS CORP  
 ALL RIGHTS RESERVED

<small>THIS DRAWING IS UNPUBLISHED. RELEASED FOR PUBLICATION. ALL RIGHTS RESERVED.</small> DIMENSIONS: mm TOLERANCES UNLESS OTHERWISE SPECIFIED: 0 PLC ±0.13 1 PLC ±0.1 2 PLC ±0.05 3 PLC ± 4 PLC ± ANGLES ± MATERIAL - FINISH -		DWN J. GERACE 27JAN05 CDR J. KOPPENHEFFER APD - PRODUCT SPEC 108-1950 APPLICATION SPEC 114-13017 WEIGHT - CUSTOMER DRAWING	NAME CAGE, BOTTOM, SFP SIZE A1 CAGE CODE 00779 DRAWING NO. 6367034 SCALE 8:1 SHEET 2 OF 2 REV 1
----------------------------------------------------------------------------------------------------------------------------------------------------------------------------------------------------------------------------------------------------------------	--	----------------------------------------------------------------------------------------------------------------------------------------------	-------------------------------------------------------------------------------------------------------------

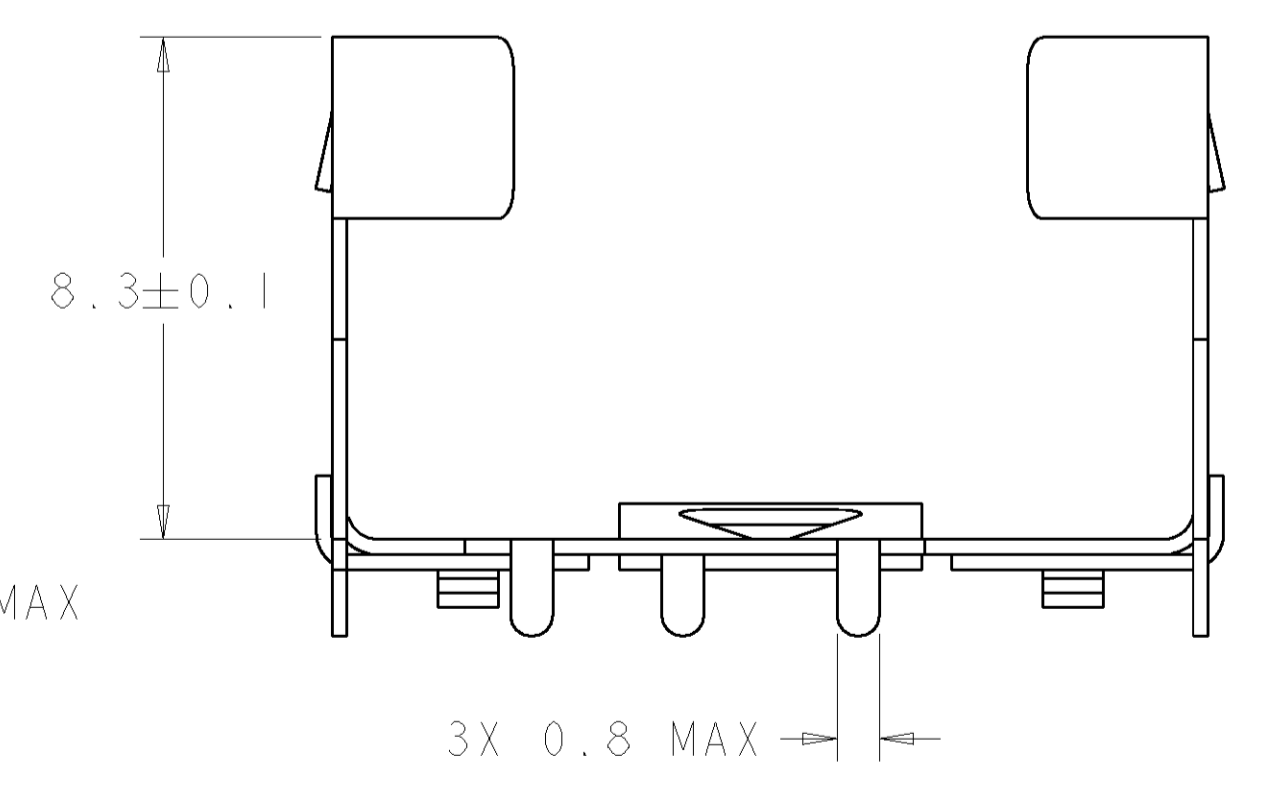
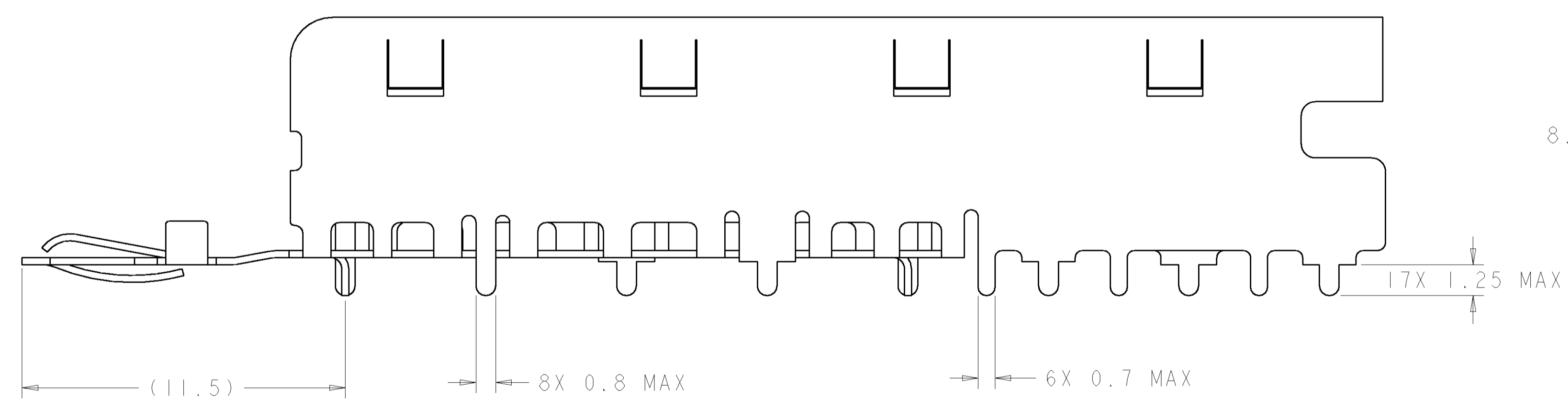
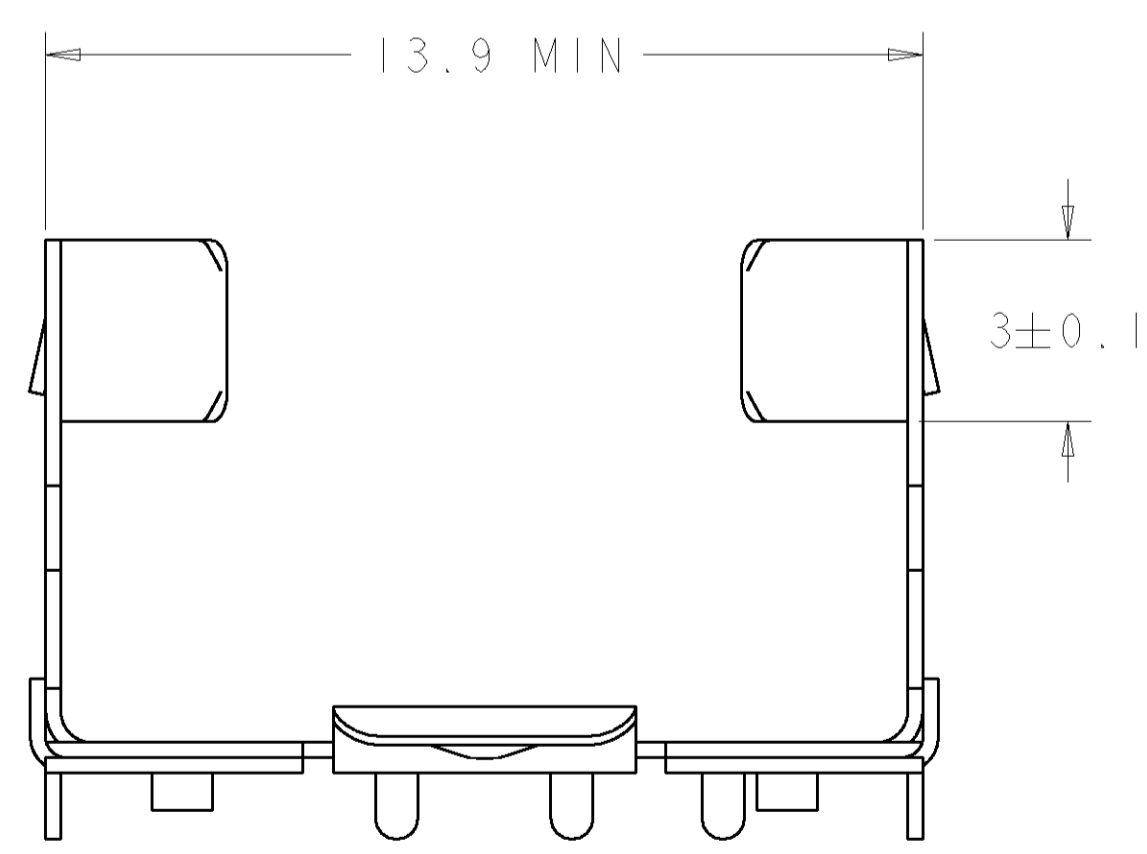
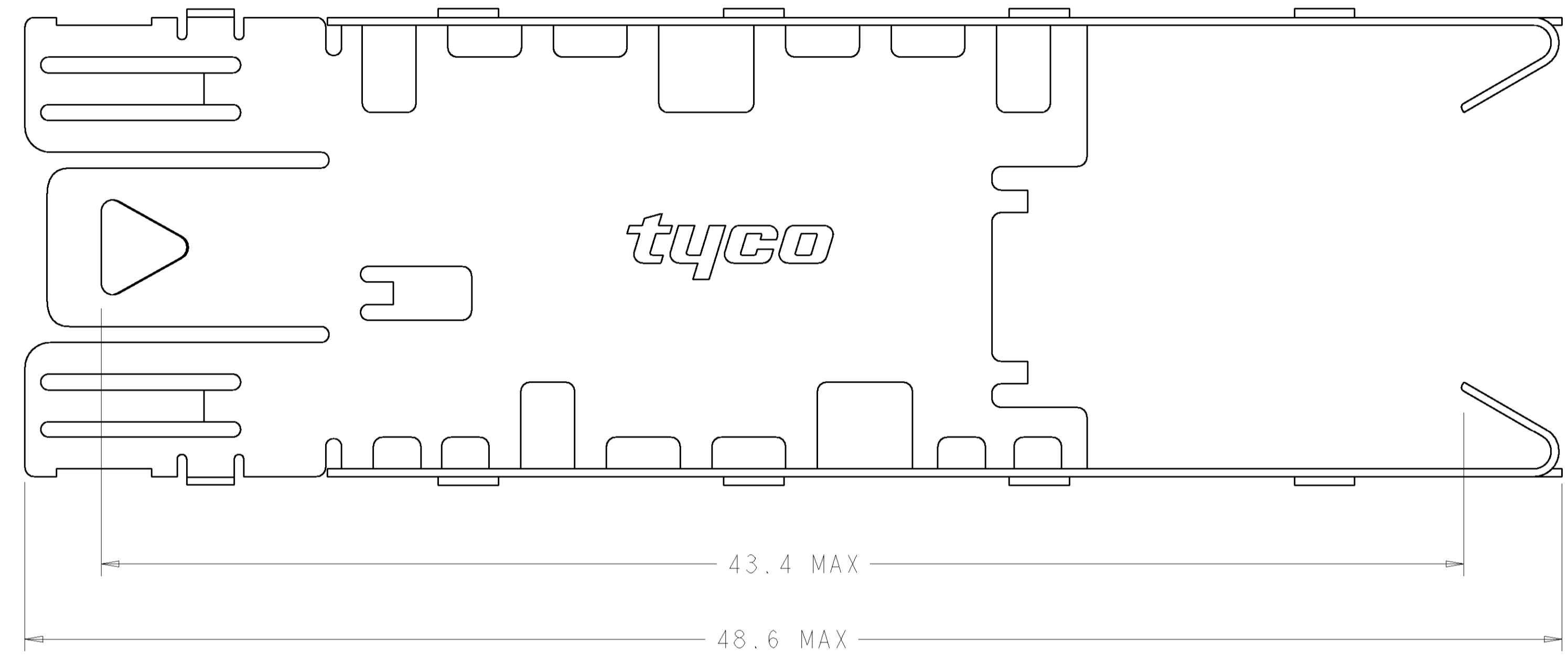
LOC	DIST	REVISIONS					
GP	00	F	LTR	DESCRIPTION	DATE	DWN	APVD
		1		PRELIMINARY PER EC 0513-0083-05	27JAN05	JG	JK

# PRELIMINARY NOT RELEASED FOR PRODUCTION



SCALE 3:1

- △ DATUM AND BASIC DIMENSION, TO BE ESTABLISHED BY CUSTOMER.
- △ PADS AND VIAS ARE CHASSIS GROUND.
- △ COPPER ALLOY, 0.25 THICK.
- △ 1.25 MICROMETERS MIN TIN OVER 0.125 MICROMETERS MIN NICKEL. BARE EDGES PERMISSIBLE.
- 5. PACKAGED 240 PIECES PER 13 INCH REEL.



6367034-1  
PART NUMBER

**COPYRIGHT 2005  
TYCO ELECTRONICS CORP  
ALL RIGHTS RESERVED**

<small>THIS DRAWING IS UNPUBLISHED. RELEASED FOR PUBLICATION. BY AMP INCORPORATED. ALL RIGHTS RESERVED.</small>		DWN J. GERACE 27JAN05 CDR J. KOPPENHEFFER 27JAN05 APVD -	<b>AMP</b> AMP Incorporated Harrisburg, PA 17105-3608
DIMENSIONS: mm 	TOLERANCES UNLESS OTHERWISE SPECIFIED: 0 PLC ±0.13 1 PLC ±0.1 2 PLC ±0.05 3 PLC ± 4 PLC ± ANGLES ±	PRODUCT SPEC 108-1950 APPLICATION SPEC 114-13017 WEIGHT -	NAME CAGE, BOTTOM, SFP SIZE A1 CAGE CODE 00779 DRAWING NO 6367034 SCALE 8:1 SHEET 1 OF 2 REV 1
MATERIAL	FINISH	CUSTOMER DRAWING	