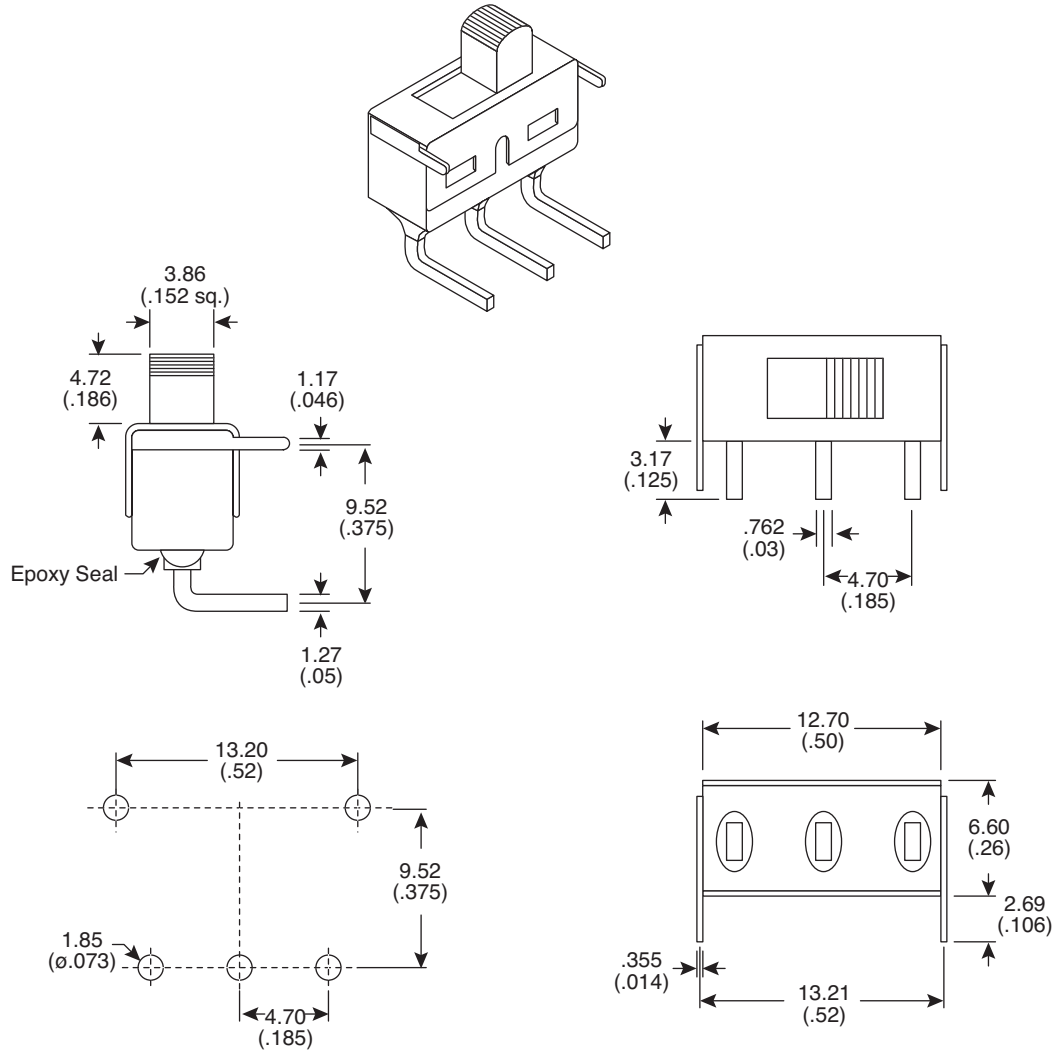


Dimensions: mm (In.)



Electrical Specifications:

- Rating: 5A / 120VAC or 28VDC; 2A / 250VAC
- Contact resistance: 10mΩ max. initially
- Electrical life: 30,000 actuations
- Insulation resistance: 1000MΩ min.
- Dielectric strength: 1,000VRMS @ sea level

Mechanical Specifications:

- Type: SPDT
- Operating temperature: -30°C~+85°C

Note:

- RoHS compliant and process compatible with 260° solder

Materials:

- Case: diallyl phthalate (DAP)
- Housing: stainless steel
- Slide handle: nylon
- End terminals: silver plated coin silver
- Center contacts & body: silver plated brass

Sub-Miniature Slide Switch
102-1261-EV

