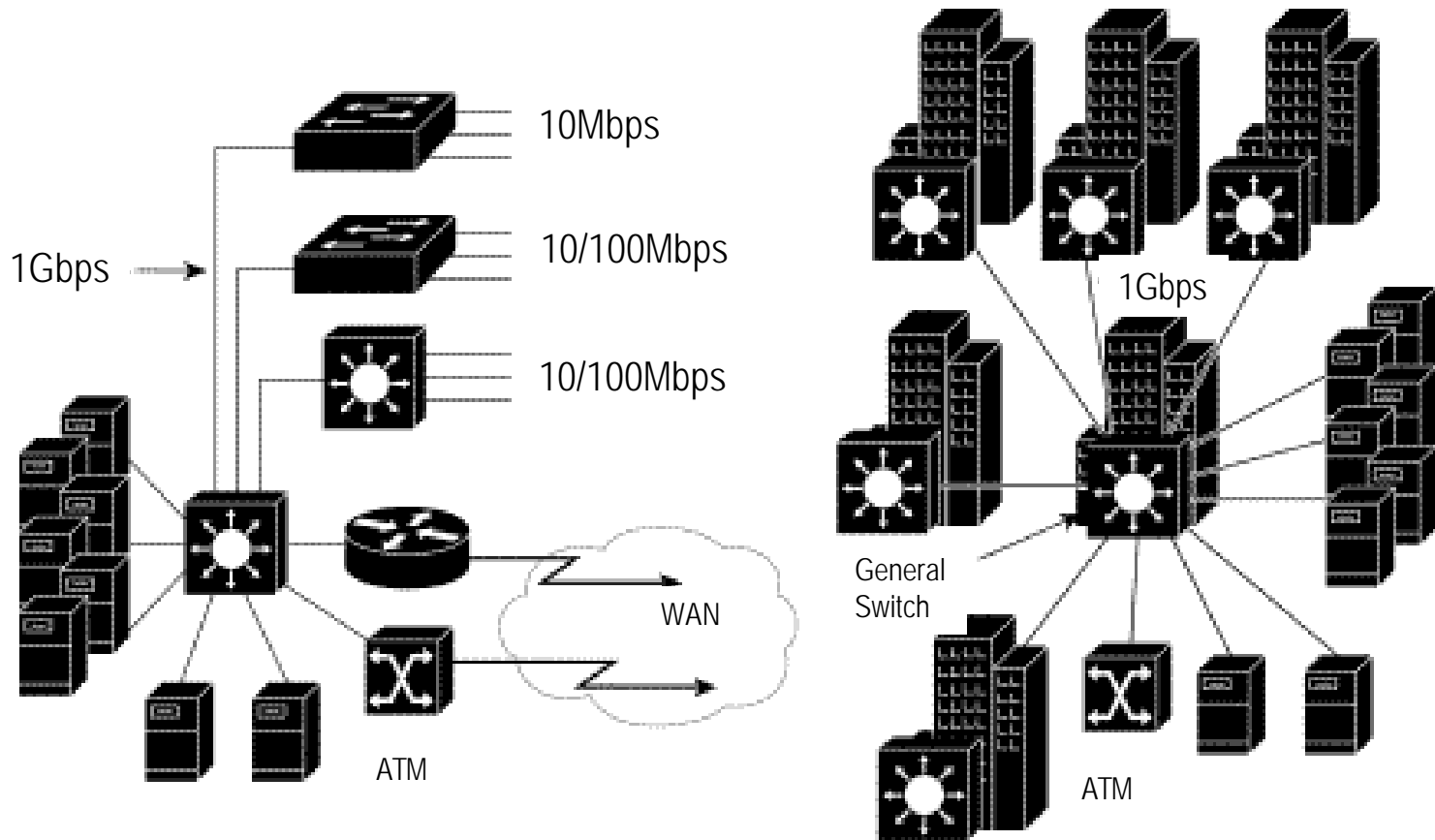
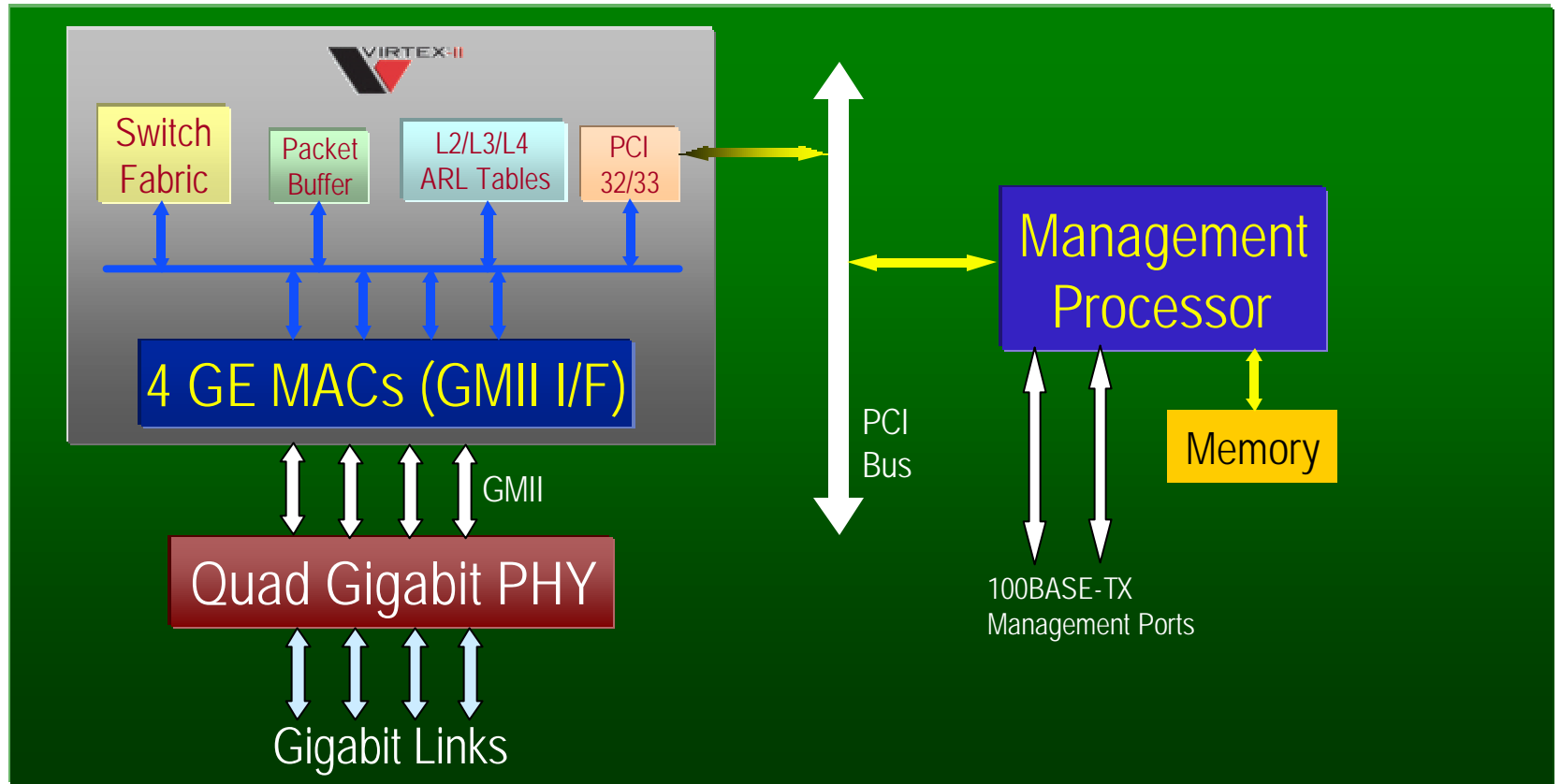


Gigabit Ethernet Switch

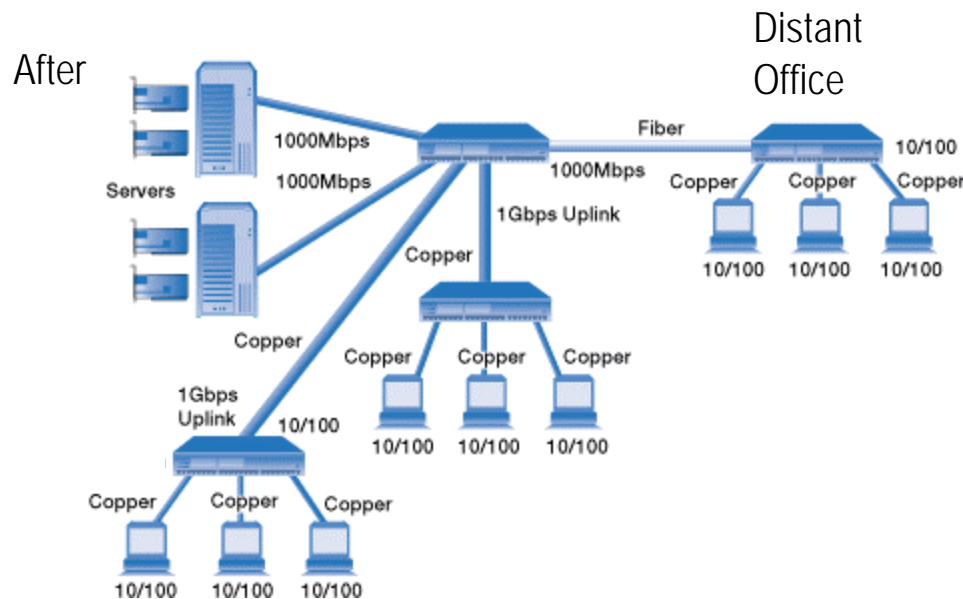
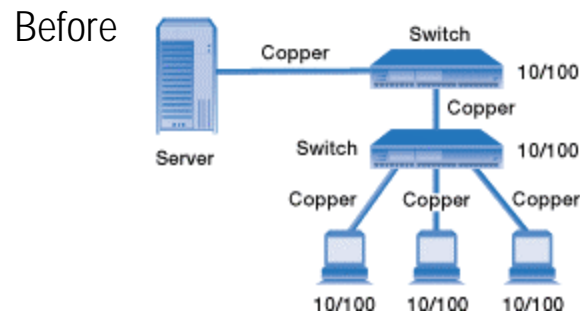
Example of a multilayer Gigabit switching environment



4 Port Gigabit Ethernet Switch



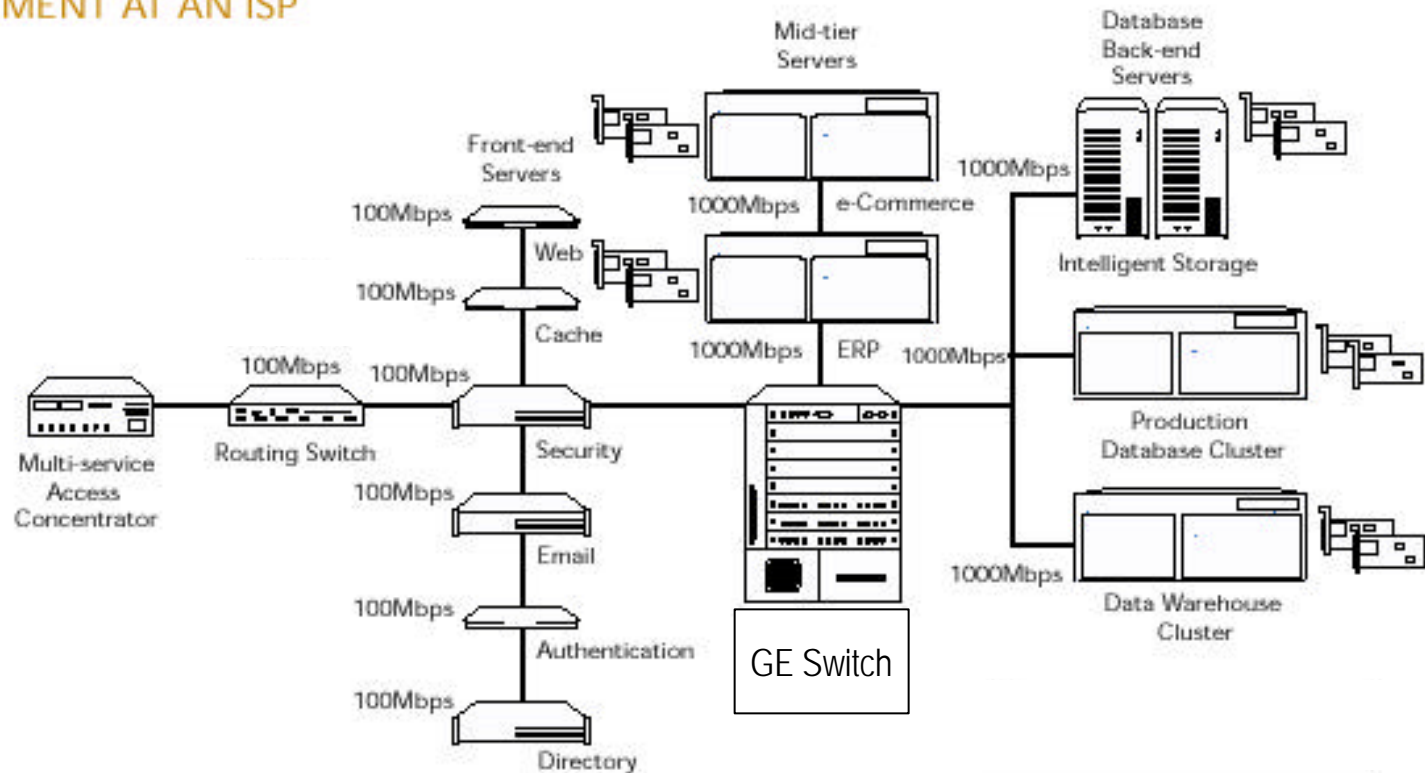
Where is Xilinx Used?



- ◆ Line cards for Layer2 or Layer3 Ethernet switches
- ◆ Upgrade 10/100 Ethernet based LANs with Gb Ethernet based switches

Where does Xilinx fit?

DEPLOYMENT AT AN ISP



- ◆ Interface to numerous processors and switch devices with Gb Ethernet ports