

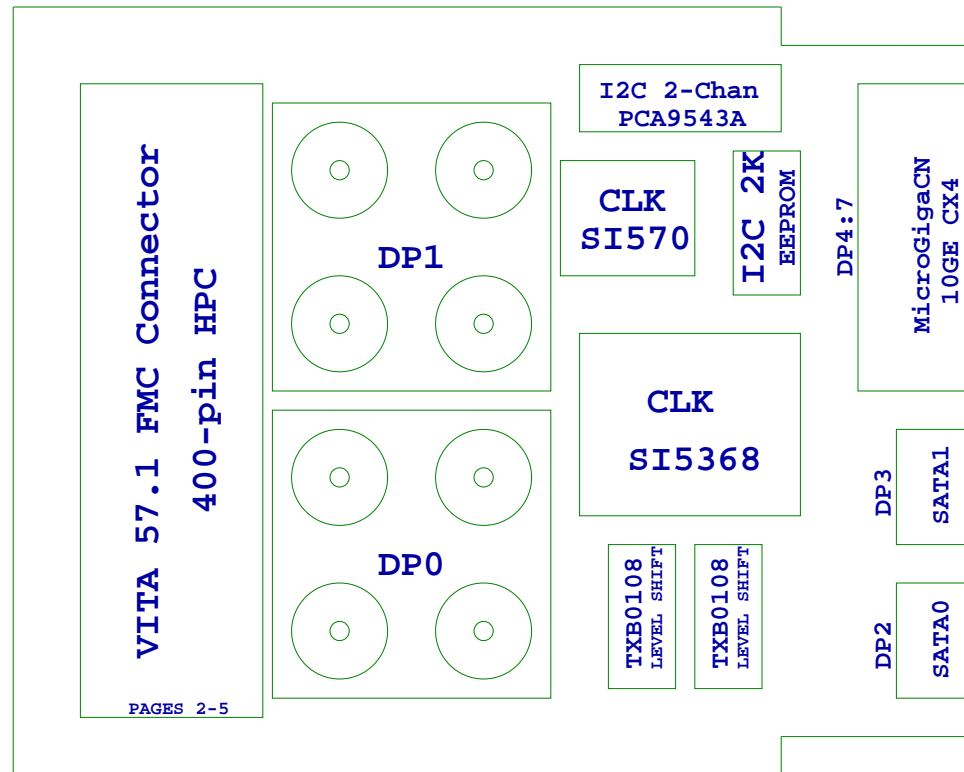
Part Number: HW-FMC-XM104-G
 Product Name: FMC XM104 Debug Card


Disclaimer:

Xilinx is disclosing this user guide, manual, release note, schematic, and/or specification (the "Documentation") to you solely for use in the development of designs to operate with Xilinx hardware devices. You may not reproduce, distribute, republish, download, display, post, or transmit the Documentation in any form or by any means including, but not limited to, electronic, mechanical, photocopying, recording, or otherwise, without the prior written consent of Xilinx.

Xilinx expressly disclaims any liability arising out of your use of the Documentation. Xilinx reserves the right, at its sole discretion, to change the Documentation without notice at any time. Xilinx assumes no obligation to correct any errors contained in the Documentation, or to advise you of any corrections or updates. Xilinx expressly disclaims any liability in connection with technical support or assistance that may be provided to you in connection with the Documentation.

THE DOCUMENTATION IS DISCLOSED TO YOU "AS-IS" WITH NO WARRANTY OF ANY KIND. XILINX MAKES NO OTHER WARRANTIES, WHETHER EXPRESS, IMPLIED, OR STATUTORY, REGARDING THE DOCUMENTATION, INCLUDING ANY WARRANTIES OF MERCHANTABILITY, FITNESS FOR A PARTICULAR PURPOSE, OR NONINFRINGEMENT OF THIRD-PARTY RIGHTS. IN NO EVENT WILL XILINX BE LIABLE FOR ANY CONSEQUENTIAL, INDIRECT, EXEMPLARY, SPECIAL, OR INCIDENTAL DAMAGES, INCLUDING ANY LOSS OF DATA OR LOST PROFITS, ARISING FROM YOUR USE OF THE DOCUMENTATION.



		SCH P/N 0381347	
		ASSY P/N 0431579	
		FAB P/N 1280515	
Title: SCHEM, ROHS COMPLIANT, HW-FMC-XM104-G			
Date: 12-5-2013_9:22		Ver: B	
Sheet Size: B		Rev: 01	
Sheet 1	of 9	Drawn By	EM

ASP-134488-01

DP1_M2C_P A2 DP1_M2C_P 6
 DP1_M2C_N A3 DP1_M2C_N 6
 DP2_M2C_P A6 DP2_M2C_P 6
 DP2_M2C_N A7 DP2_M2C_N 6
 DP3_M2C_P A10 DP3_M2C_P 6
 DP3_M2C_N A11 DP3_M2C_N 6
 DP4_M2C_P A14 DP4_M2C_P 6
 DP4_M2C_N A15 DP4_M2C_N 6
 DP5_M2C_P A18 DP5_M2C_P 6
 DP5_M2C_N A19 DP5_M2C_N 6
 DP1_C2M_P A22 DP1_C2M_P 6
 DP1_C2M_N A23 DP1_C2M_N 6
 DP2_C2M_P A26 DP2_C2M_P 6
 DP2_C2M_N A27 DP2_C2M_N 6
 DP3_C2M_P A30 DP3_C2M_P 6
 DP3_C2M_N A31 DP3_C2M_N 6
 DP4_C2M_P A34 DP4_C2M_P 6
 DP4_C2M_N A35 DP4_C2M_N 6
 DP5_C2M_P A38 DP5_C2M_P 6
 DP5_C2M_N A39 DP5_C2M_N 6

J1

ASP-134488-01

CLK_DIR B1 NC
 DP9_M2C_P B4 DP9_M2C_P 6
 DP9_M2C_N B5 DP9_M2C_N 6
 DP8_M2C_P B8 DP8_M2C_P 6
 DP8_M2C_N B9 DP8_M2C_N 6
 DP7_M2C_P B12 DP7_M2C_P 6
 DP7_M2C_N B13 DP7_M2C_N 6
 DP6_M2C_P B16 DP6_M2C_P 6
 DP6_M2C_N B17 DP6_M2C_N 6
 GBTCLK1_M2C_P B20 GBTCLK1_M2C_P 7
 GBTCLK1_M2C_N B21 GBTCLK1_M2C_N 7
 DP9_C2M_P B24 DP9_C2M_P 6
 DP9_C2M_N B25 DP9_C2M_N 6
 DP8_C2M_P B28 DP8_C2M_P 6
 DP8_C2M_N B29 DP8_C2M_N 6
 DP7_C2M_P B32 DP7_C2M_P 6
 DP7_C2M_N B33 DP7_C2M_N 6
 DP6_C2M_P B36 DP6_C2M_P 6
 DP6_C2M_N B37 DP6_C2M_N 6
 RES0 B40 NC

J1

ASP-134488-01

DP0_C2M_P C2 DP0_C2M_P 6
 DP0_C2M_N C3 DP0_C2M_N 6
 DP0_M2C_P C6 DP0_M2C_P 6
 DP0_M2C_N C7 DP0_M2C_N 6
 LA06_P C10 LA06_P 7
 LA06_N C11 LA06_N 7
 LA10_P C14 NC
 LA10_N C15 NC
 LA14_P C18 NC
 LA14_N C19 NC
 LA18_P_CC C22 NC
 LA18_N_CC C23 NC
 LA27_P C26 NC
 LA27_N C27 NC
 SCL C30 SCL 7
 SDA C31 SDA 7
 GA0 C34 GA0 7
 12P0V_1 C35 NC
 12P0V_2 C37 NC
 3P3V_1 C39

J1

VCC3V3

ASP-134488-01

PG_C2M D1 NC
 GBTCLK0_M2C_P D4 GBTCLK0_M2C_P 8
 GBTCLK0_M2C_N D5 GBTCLK0_M2C_N 8
 LA01_P_CC D8 LA01_CC_P 8
 LA01_N_CC D9 LA01_CC_N 8
 LA05_P D11 LA05_P 7
 LA05_N D12 NC
 LA09_P D14 NC
 LA09_N D15 NC
 LA13_P D17 NC
 LA13_N D18 NC
 LA17_P_CC D20 LA17_CC_P 8
 LA17_N_CC D21 LA17_CC_N 8
 LA23_P D23 NC
 LA23_N D24 NC
 LA26_P D26 NC
 LA26_N D27 NC
 TCK D29 NC
 TDI D30
 TDO D31 TDI_TDO
 3P3VAUX D32
 TMS D33 NC
 TRST_L D34 NC
 GA1 D35 GA1 7
 3P3V_2 D36
 3P3V_3 D38
 3P3V_4 D40

J1

VCC3V3AUX

VCC3V3



SCH P/N 0381347
 ASSY P/N 0431579
 FAB P/N 1280515

Title: SCHEM, ROHS COMPLIANT, HW-FMC-XM104-G

FMC (ROWS A, B, C, D)

Date: 12-5-2013_9:25

Ver: B

Sheet Size: B

Rev: 01

Sheet 2 of 9

Drawn By EM

PG_M2C Is pulled up to 3.3V on the Carrier Card

ASP-134488-01

HA01_P_CC E2 NC
 HA01_N_CC E3 NC
 HA05_P E6 NC
 HA05_N E7 NC
 HA09_P E9 NC
 HA09_N E10 NC
 HA13_P E12 NC
 HA13_N E13 NC
 HA16_P E15 NC
 HA16_N E16 NC
 HA20_P E18 NC
 HA20_N E19 NC
 HB03_P E21 NC
 HB03_N E22 NC
 HB05_P E24 NC
 HB05_N E25 NC
 HB09_P E27 NC
 HB09_N E28 NC
 HB13_P E30 NC
 HB13_N E31 NC
 HB19_P E33 NC
 HB19_N E34 NC
 HB21_P E36 NC
 HB21_N E37 NC
 VADJ_1 E39

VCCADJ

J1

ASP-134488-01

PG_M2C F1 NC
 HA00_P_CC F4 NC
 HA00_N_CC F5 NC
 HA04_P F7 NC
 HA04_N F8 NC
 HA08_P F10 NC
 HA08_N F11 NC
 HA12_P F13 NC
 HA12_N F14 NC
 HA15_P F16 NC
 HA15_N F17 NC
 HA19_P F19 NC
 HA19_N F20 NC
 HB02_P F22 NC
 HB02_N F23 NC
 HB04_P F25 NC
 HB04_N F26 NC
 HB08_P F28 NC
 HB08_N F29 NC
 HB12_P F31 NC
 HB12_N F32 NC
 HB16_P F34 NC
 HB16_N F35 NC
 HB20_P F37 NC
 HB20_N F38 NC
 VADJ_2 F40

VCCADJ

J1

ASP-134488-01

CLK1_M2C_P G2 CLK1_M2C_P 8
 CLK1_M2C_N G3 CLK1_M2C_N 8
 LA00_P_CC G6 LA00_CC_P 8
 LA00_N_CC G7 LA00_CC_N 8
 LA03_P G9 LA03_P 7
 LA03_N G10 LA03_N 7
 LA08_P G12 LA08_P 7
 LA08_N G13 LA08_N 7
 LA12_P G15 NC
 LA12_N G16 NC
 LA16_P G18 NC
 LA16_N G19 NC
 LA20_P G21 NC
 LA20_N G22 NC
 LA22_P G24 NC
 LA22_N G25 NC
 LA25_P G27 NC
 LA25_N G28 NC
 LA29_P G30 NC
 LA29_N G31 NC
 LA31_P G33 NC
 LA31_N G34 NC
 LA33_P G36 NC
 LA33_N G37 NC
 VADJ_3 G39

VCCADJ

J1



SCH P/N 0381347
 ASSY P/N 0431579
 FAB P/N 1280515

Title: SCHEM, ROHS COMPLIANT, HW-FMC-XM104-G

FMC (ROWS E, F, G)

Date: 12-5-2013_9:22

Ver: B

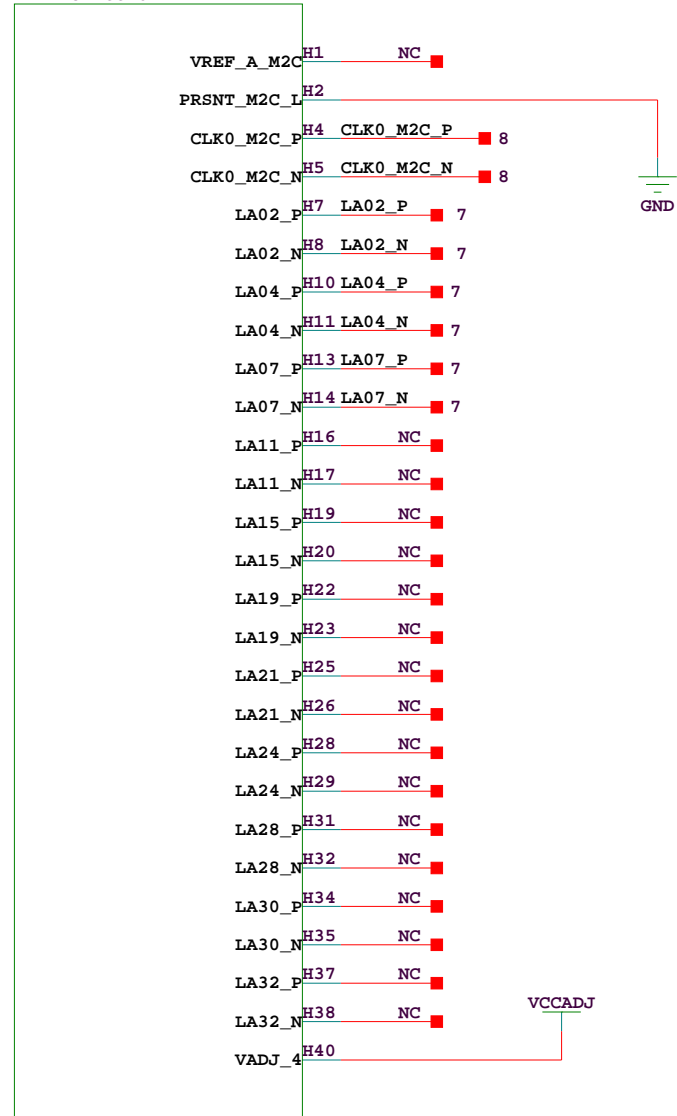
Sheet Size: B

Rev: 01

Sheet 3 of 9

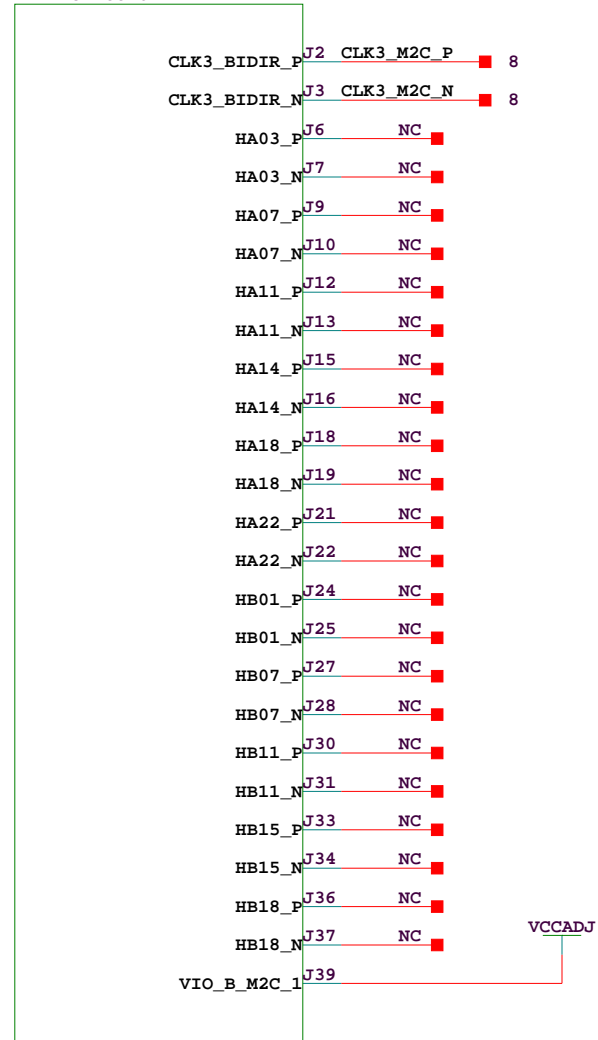
Drawn By EM

ASP-134488-01



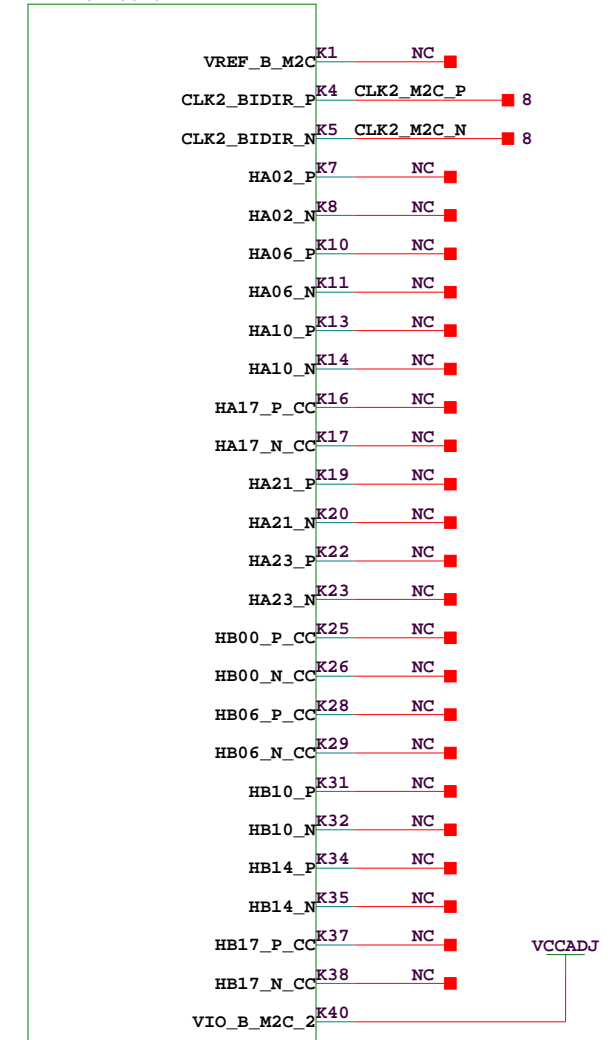
J1

ASP-134488-01



J1

ASP-134488-01



J1



SCH P/N 0381347
 ASSY P/N 0431579
 FAB P/N 1280515

Title: SCHEM, ROHS COMPLIANT, HW-FMC-XM104-G

FMC (ROWS H, J, K)

Date: 12-5-2013_9:22

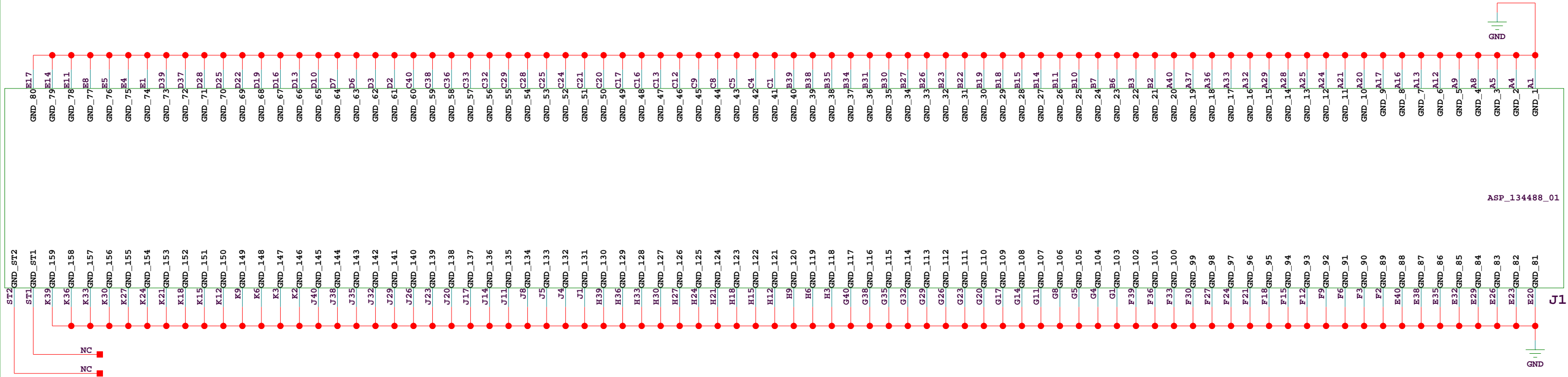
Ver: B

Sheet Size: B

Rev: 01


Sheet 4 of 9

Drawn By EM

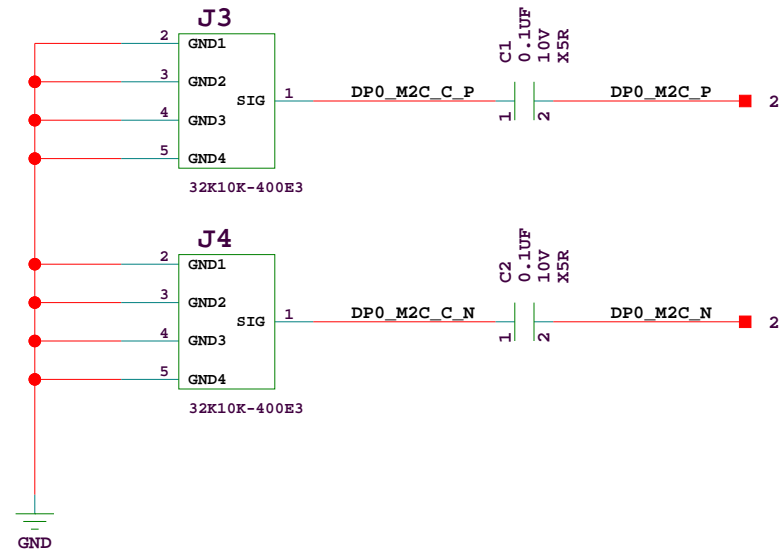


ASP_134488_01

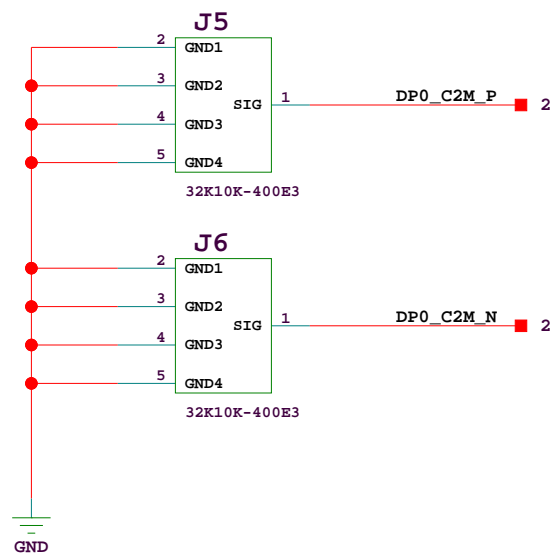
U1

		SCH P/N 0381347	
		ASSY P/N 0431579	
		FAB P/N 128X0515	
Title: SCHEM, ROHS COMPLIANT, HW-FMC-XM104-G			
FMC (GND)			
Date:	12-5-2013_9:22	Ver:	B
Sheet Size:	B	Rev:	01
Sheet	5 of 9	Drawn By	EM

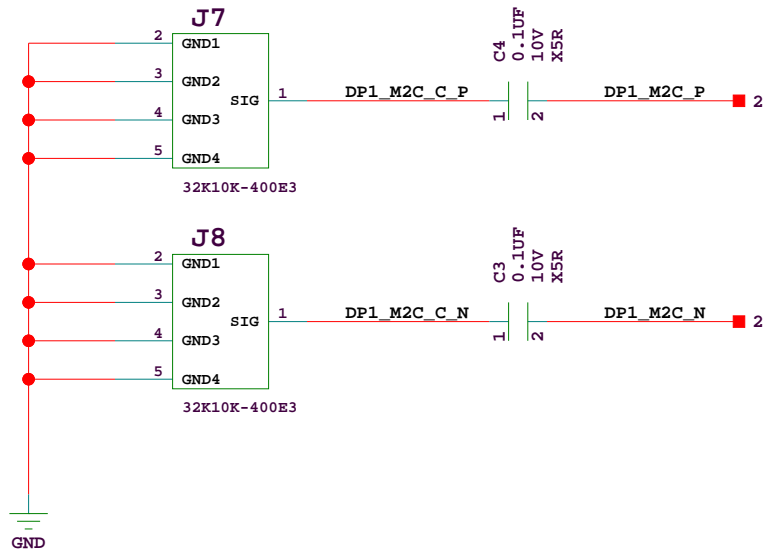
DP0 - Receiver SMAs



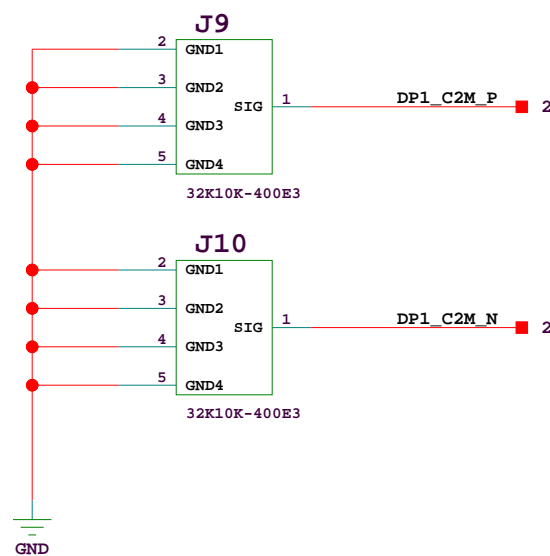
DP0 - Transmitter SMAs



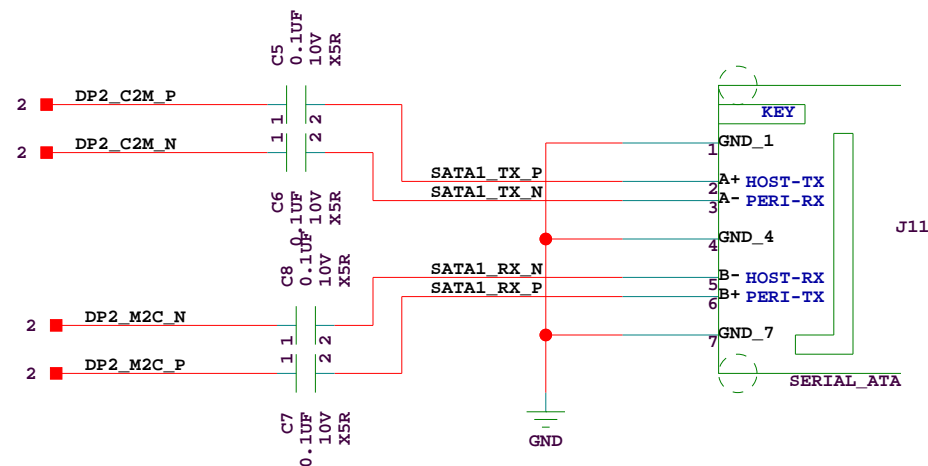
DP1 - Receiver SMAs



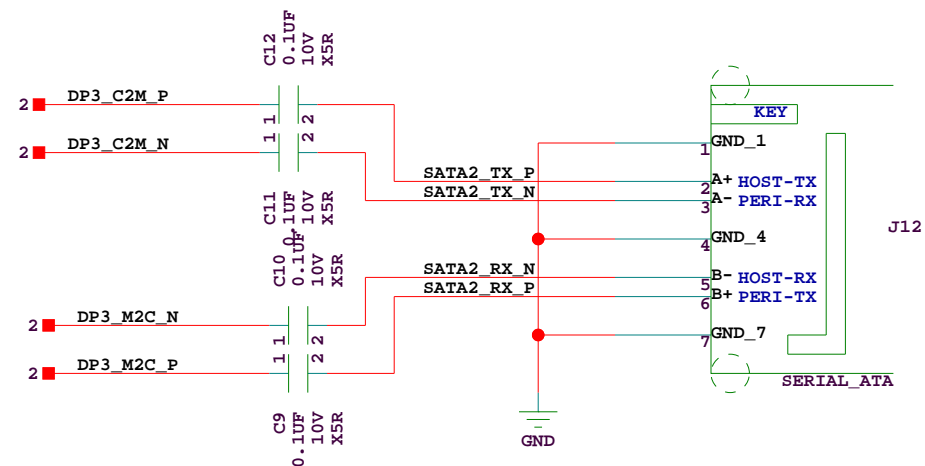
DP1 - Transmitter SMAs



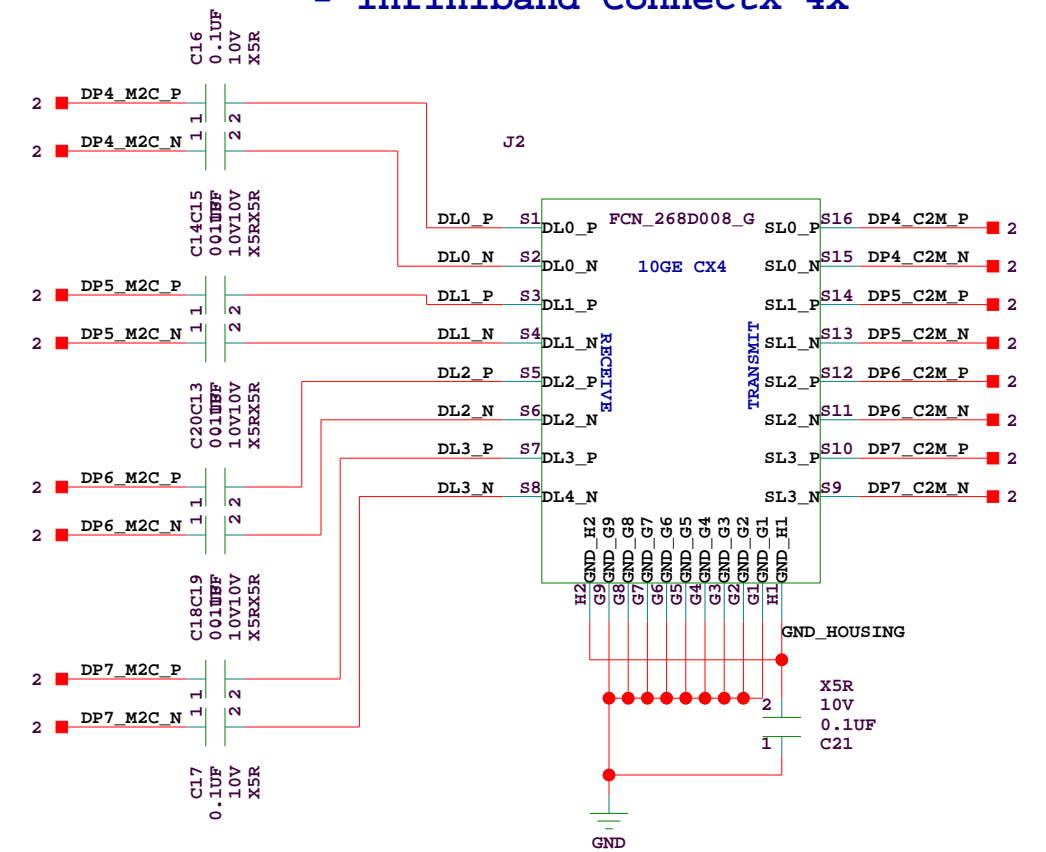
DP2 - SATA1 Host Interface



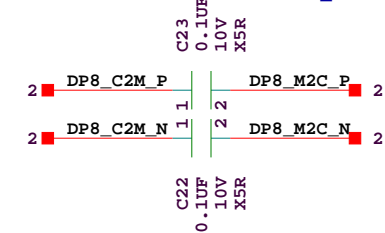
DP3 - SATA2 Host Interface



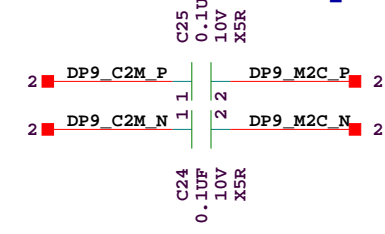
D4:7 - CX4 Cable Receptacle
 - 802.3ak - 10GBASE-CX4
 - Infiniband ConnectX 4x



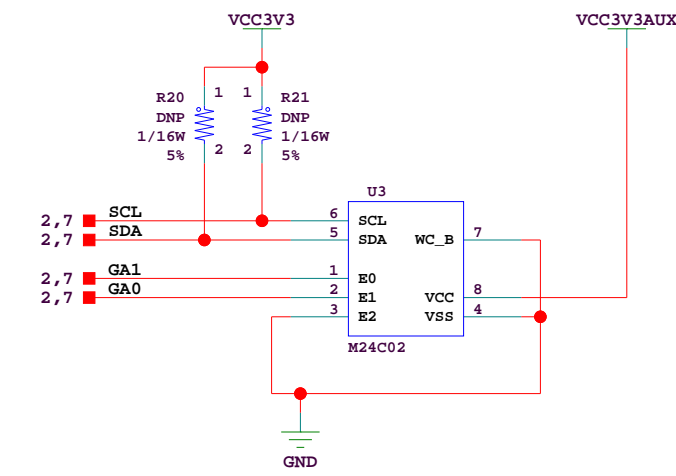
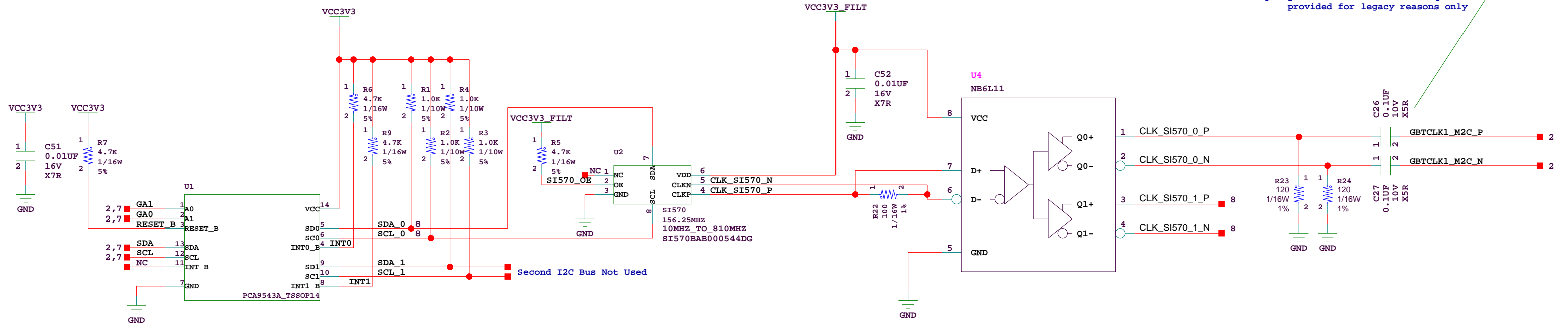
DP8 - PCB Loopback



DP9 - PCB Loopback

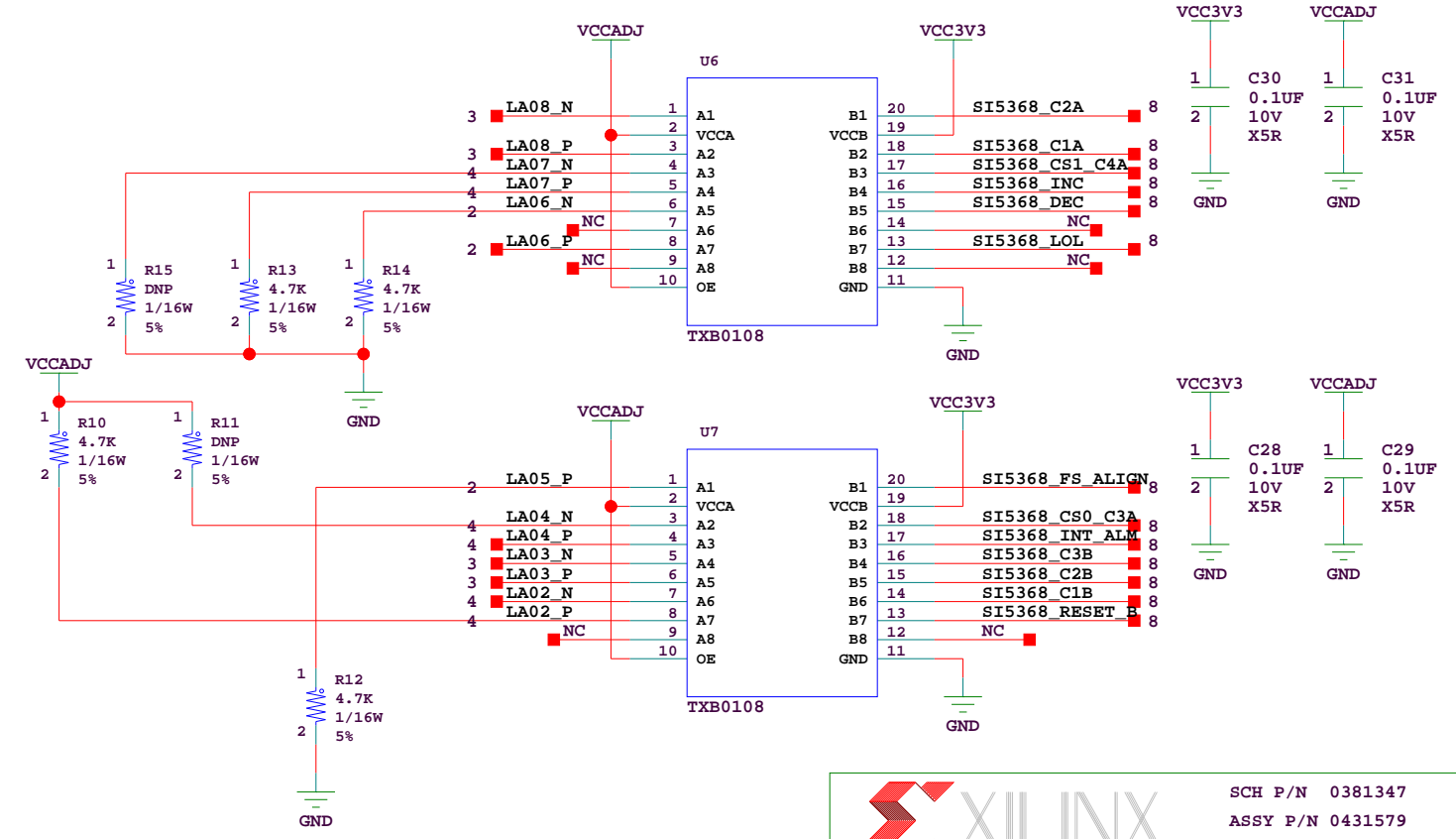


		SCH P/N 0381347
		ASSY P/N 0431579
		FAB P/N 1280515
Title: SCHEM, ROHS COMPLIANT, HW-FMC-XM104-G SMA, SATA & CX4 CONNECTORS		
Date: 12-5-2013_9:22	Ver: B	
Sheet Size: B	Rev: 01	
Sheet 6 of 9	Drawn By EM	



I2C Address Table

M24C02	= 101_00_GA0_GA1	= 0x5?
PCA9543A	= 111_00_GA0_GA1	= 0x7?
- SI570	= 101_1101	= 0x5D
- SI5368	= 110_10_0_0_0	= 0x68

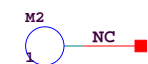


XILINX SCH P/N 0381347
 ASSY P/N 0431579
 FAB P/N 1280515


Title: SCHEM, ROHS COMPLIANT, HW-FMC-XM104-G

FMC I2C, CLOCKING, LEVEL TRANSLATION

Date:	12-5-2013_9:25	Ver:	B
Sheet Size:	B	Rev:	01
Sheet	7 of 9	Drawn By	EM



FIDUCIALS

		SCH P/N 0381347
		ASSY P/N 0431579
		FAB P/N 1280515
Title: SCHEM, ROHS COMPLIANT, HW-FMC-XM104-G MECHANICALS		
Date: 12-5-2013_9:22		Ver: B
Sheet Size: B		Rev: 01
Sheet 9	of 9	Drawn By EM