

Introduction

Thank you for participating in the Spartan®-6 Engineering Sample Program. As part of this program, we are pleased to provide to you engineering samples of the device listed in [Table 1](#). Although Xilinx has made every effort to ensure the highest possible quality, this device is subject to the limitations described in the following errata.

Device

These errata apply to the Spartan-6 device shown in [Table 1](#).

Table 1: Device Affected by These Errata

Device	JTAG ID (Revision Code)
XC6SLX150-2FGG484CES	0

Hardware Errata Details

This section provides a detailed description of each hardware issue known at the release time of this document.

Block RAM

Dual Port Block RAM Address Overlap in READ_FIRST and Simple Dual Port Mode

When using the block RAM in True Dual Port (TDP) READ_FIRST mode or Simple Dual Port (SDP) mode, with different clocks on ports A and B, the user must ensure certain addresses do not occur simultaneously on both ports when both ports are enabled and one port is being written to. Failure to observe this restriction can result in read and/or memory array corruption.

The description is found in the Conflict Avoidance section in v1.2 of [UG383](#), *Spartan-6 FPGA Block RAM Resources User Guide*.

This description was originally added to the *Spartan-6 FPGA Block RAM Resources User Guide*, v1.1, published 10/28/09. This errata is being provided to highlight this change and ensure that all users are aware of this design restriction. ISE® 12.1 software provides appropriate warnings for possible violations of these restrictions.

This issue will not be fixed in silicon.

Work-around

See [Answer Record 34533](#).

9K Simple Dual Port Block RAM Width Restriction

The Spartan-6 FPGA RAMB8BWER in Simple Dual Port (SDP) mode (RAM_MODE=SDP) only supports the 36-bit data width on both ports. Failure to set both ports to 36 bits (DATA_WIDTH_A=36, DATA_WIDTH_B=36) can result in data corruption.

The description is found in the Possible Configurations section in v1.2 of [UG383](#), *Spartan-6 FPGA Block RAM Resources User Guide*.

This description was originally added to the *Spartan-6 FPGA Block RAM Resources User Guide*, v1.2, published 02/23/10. This errata is being provided to highlight this change and ensure that all users are aware of this design restriction. ISE 12.1 software provides appropriate warnings for possible violations of these restrictions.

This issue will not be fixed in silicon.

Work-around

See [Answer Record 34541](#).

Configuration Frequency for Block RAM Initialization

For the device listed in [Table 1](#), the configuration frequency must be limited to 10 MHz or less to guarantee that the block RAM will be initialized with the data in the configuration file.

Memory Controller Block (MCB)

MCB Performance

[DS162](#), *Spartan-6 FPGA Data Sheet: DC and Switching Characteristics* (v1.5 or later) includes new data rate specifications for DDR2 and DDR3 interfaces implemented with the MCB. The new data rates are supported in the Standard MCB performance mode when operating within the standard V_{CCINT} recommended operating conditions. In addition, a new Extended MCB performance mode has been introduced with V_{CCINT} operating conditions that allow the MCB to operate at the originally specified performance.

Table 2: MCB Performance Specification Comparison

Performance Specification	V_{CCINT} Operating Range	DDR2 / DDR3 Performance
		-2
Original (No Longer Supported)	1.14V – 1.26V	667 Mb/s
New (Standard Performance)	1.14V – 1.26V	625 Mb/s
New (Extended Performance)	1.2V – 1.26V	667 Mb/s

This errata is being provided to highlight this change and ensure that all MCB users are aware of the new performance modes and specifications. The ISE 12.2 software (with MIG 3.5) will provide support for selection and timing validation of the new Standard and Extended MCB performance modes. Prior to the ISE 12.2 software release, these modes can be used by adhering to the correct V_{CCINT} range and ensuring that MIG tool selections are made in compliance with the new performance specifications.

[Answer Record 35818](#) contains additional information.

MCB Calibration

In the device listed in [Table 1](#), for designs using Calibrated Input Termination, use the following FGG484 pin locations for the RZQ reference resistor: MCB Bank 1 – pin M19, MCB Bank 3 – pin K7.

MCB and Suspend

In the device listed in [Table 1](#), the MCB does not support the self-refresh mode of the external memory during FPGA Suspend.

MCB Address Bus Hold Time

In the device listed in [Table 1](#), some bits of the MCB address bus (mcbx_dram_addr) can violate the input hold time (t_{IH}) specification of the memory device.

Work-around

See [Answer Record 34089](#).

DCM Minimum Frequency

The Digital Clock Manager (DCM_SP or DCM_CLKGEN) minimum frequency does not meet the data sheet specifications in the device listed in [Table 1](#). The following specifications deviate from the data sheet:

- CLKIN_FREQ_DLL Min: 50 MHz
- CLKOUT_FREQ_CLK0 Min: 50 MHz
- CLKOUT_FREQ_CLK90 Min: 50 MHz
- CLKOUT_FREQ_2X Min: 100 MHz
- CLKOUT_FREQ_DV Min: 3.125 MHz
- CLKIN_FREQ_FX Min: 1.6 MHz
- CLKOUT_FREQ_FX Min: 50 MHz
- CLKOUT_FREQ_FXDV: 1.6 MHz

BUFPLL LOCK Output

In the device listed in [Table 1](#), the BUFPLL LOCK output might stay High when the PLL_BASE LOCKED signal is Low. As a result, the timing of the SERDESSTROBE signal might change after the PLL has been reset.

Work-around

Any application that performs a training, framing, or Bitflip function on the incoming data should be reinitialized following a PLL reset to ensure correct data reception.

Device DNA

Device DNA is not supported in the device listed in [Table 1](#). Do not use this feature.

Configuration Readback and Readback CRC

Readback is not supported in the device listed in [Table 1](#). Readback CRC for SEU detection (POST_CRC) is not supported in the device listed in [Table 1](#).

Encryption Security

In the device listed in [Table 1](#), encrypted FPGA designs using the eFUSE key as the decryption key will not be fully secure.

Work-around

Use battery-backed RAM for the decryption key.

Operational Guidelines

Design Software Requirements

The device listed in [Table 1](#), unless otherwise specified, requires the following Xilinx development software installation.

- Speed specification v1.01 (or later), Xilinx® ISE® Design Suite 11.3 or later version of software.
- Upgrading to ISE 12.1 or later is recommended.

Operating Conditions Required when Using I/O Delay Variable Mode

In the device listed in [Table 1](#), when using I/O Delay Variable Mode, the operating conditions must be:

- $V_{CCINT} = 1.20V$ to $1.26V$
- Junction temperature (T_J) = $25^{\circ}C$ to $85^{\circ}C$

The I/O delay variable mode (also known as I/O delay calibration and reset) is used when the IODELAY2 CAL or RST are used or when IODELAY2 IDELAY_TYPE attribute is set to VARIABLE_FROM_ZERO, VARIABLE_FROM_HALF_MAX, or DIFF_PHASE_DETECTOR.

Traceability

The XC6SLX150 listed in [Table 1](#) is marked as shown in [Figure 1](#).

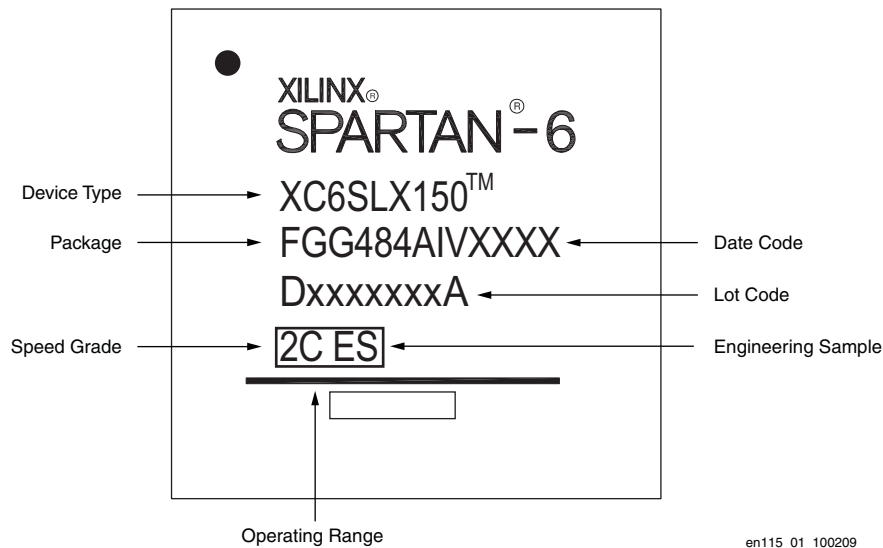


Figure 1: XC6SLX150-2FGG484CES Marking

Additional Questions or Clarifications

For additional questions regarding these errata, contact Xilinx Technical Support:

<http://www.xilinx.com/support/clearxpress/websupport.htm> or your Xilinx Sales Representative:

<http://www.xilinx.com/company/contact.htm>.

Revision History

The following table shows the revision history for this document:

Date	Version	Description of Revisions
08/26/09	1.0	Initial Xilinx release.
10/13/09	1.1	Updated Encryption Security with work-around. Under Operational Guidelines , updated software requirements to ISE software 11.3. Updated mark in Figure 1 .
10/29/09	1.2	Added MCB and Suspend . Updated Configuration Readback and Readback CRC .
02/09/10	1.3	Added MCB Address Bus Hold Time .
05/07/10	1.4	Created a Block RAM section: Added Dual Port Block RAM Address Overlap in READ_FIRST and Simple Dual Port Mode and 9K Simple Dual Port Block RAM Width Restriction .
06/25/10	1.5	Added MCB Performance . Updated Design Software Requirements .

Notice of Disclaimer

ENGINEERING SAMPLE (ES) DEVICES ARE MADE AVAILABLE SOLELY FOR PURPOSES OF RESEARCH, DEVELOPMENT AND PROTOTYPING. ALL ES DEVICES ARE SOLD "AS-IS" WITH NO WARRANTY OF ANY KIND, EITHER EXPRESS OR IMPLIED. XILINX DOES NOT WARRANT THAT ES DEVICES ARE FULLY VERIFIED, TESTED, OR WILL OPERATE IN ACCORDANCE WITH DATA SHEET SPECIFICATIONS. XILINX DISCLAIMS ANY OBLIGATIONS FOR TECHNICAL SUPPORT AND BUG FIXES. XILINX SHALL NOT BE LIABLE FOR ANY DAMAGES, INCLUDING WITHOUT LIMITATION DIRECT, INDIRECT, INCIDENTAL, SPECIAL, RELIANCE, OR CONSEQUENTIAL DAMAGES ARISING FROM OR IN CONNECTION WITH THE USE OF ES DEVICES IN ANY MANNER WHATSOEVER, EVEN IF XILINX HAS BEEN ADVISED OF THE POSSIBILITY THEREOF. XILINX MAKES NO REPRESENTATION THAT ES DEVICES PROVIDE ANY PARTICULAR FUNCTIONALITY, OR THAT ES DEVICES WILL MEET THE REQUIREMENTS OF A PARTICULAR USER APPLICATION. XILINX DOES NOT WARRANT THAT ES DEVICES ARE ERROR-FREE, NOR DOES XILINX MAKE ANY OTHER REPRESENTATIONS OR WARRANTIES, WHETHER EXPRESS OR IMPLIED, STATUTORY OR OTHERWISE, INCLUDING, WITHOUT LIMITATION, IMPLIED WARRANTIES OF MERCHANTABILITY, FITNESS FOR A PARTICULAR PURPOSE, OR NON-INFRINGEMENT. THE FOREGOING STATES THE ENTIRE LIABILITY OF XILINX WITH RESPECT TO ES DEVICES.