

Aurora 8B/10B Protocol Specification

SP002 (v2.3) October 1, 2014





Xilinx is disclosing to you this Specification (hereinafter "the Specification") for use in the development of designs in connection with semiconductor devices. Xilinx expressly disclaims any liability arising out of your use of the Specification. Xilinx does not convey any license under its patents, copyrights, or any rights of others in connection with the Specification. You are responsible for obtaining any rights you may require for your use or implementation of the Specification. Xilinx reserves the right to make changes, at any time, to the Specification without notice and at the sole discretion of Xilinx. Xilinx assumes no obligation to correct any errors contained in the Specification or to advise you of any corrections or updates. Xilinx expressly disclaims any liability in connection with technical support or assistance that may be provided to you in connection with the Specification.

THE SPECIFICATION IS DISCLOSED TO YOU "AS-IS" WITH NO WARRANTY OF ANY KIND. YOU BEAR THE ENTIRE RISK AS TO ITS IMPLEMENTATION AND USE. YOU ACKNOWLEDGE AND AGREE THAT YOU HAVE NOT RELIED ON ANY ORAL OR WRITTEN INFORMATION OR ADVICE, WHETHER GIVEN BY XILINX, ITS EMPLOYEES OR CONTRACTORS. XILINX MAKES NO OTHER WARRANTIES, WHETHER EXPRESS, IMPLIED, OR STATUTORY, REGARDING THE SPECIFICATION, INCLUDING ANY WARRANTIES OF MERCHANTABILITY, FITNESS FOR A PARTICULAR PURPOSE, OR NONINFRINGEMENT OF THIRD-PARTY RIGHTS.

IN NO EVENT WILL XILINX BE LIABLE FOR ANY CONSEQUENTIAL, INDIRECT, EXEMPLARY, SPECIAL, OR INCIDENTAL DAMAGES, INCLUDING ANY LOSS OF DATA OR LOST PROFITS, ARISING FROM OR RELATING TO YOUR USE OF THE SPECIFICATION, EVEN IF YOU HAVE BEEN ADVISED OF THE POSSIBILITY OF SUCH DAMAGES.

© 2002-2004, 2007, 2009-2010 Xilinx, Inc. XILINX, the Xilinx logo, Virtex, Spartan, ISE, and other designated brands included herein are trademarks of Xilinx in the United States and other countries. All other trademarks are the property of their respective owners.

Revision History

The following table shows the revision history for this document.

Date	Version	Revision
10/01/2014	2.3	Added Table 2-2, page 14 and flow control transmission priorities description. Revised Section 3.1.3 “Native Flow Control PDU Format,” page 21 . Corrected /SCP/ lane placement in Figure 5-8, page 41 . Updated Table A-1, page 51 .
04/19/2010	2.2	Clarified how electrical characteristics are defined in Section 6.1 “Overview.”
06/24/2009	2.1	Replaced instances of Aurora with Aurora 8B/10B. Corrected Figure 4-2, page 25 .
09/19/2007	2.0	Removed 64B/66B feature. Clarified Section 4.2.1 “8B/10B Lane Initialization” and Figure B-3, page 65 and the Notes section in Figure 5-6, page 39 and Figure 5-8, page 41 .
06/21/2004	1.3	Added 64B/66B feature.
10/17/2003	1.2	Miscellaneous edits to text and figures throughout. Clarifications to State Machine Conventions in the preface, and Section 1 Introduction and Overview. Added Overview to Section 2 Data Transmission and Reception. Added sections 3.1.2 Native Flow Control Latency, and 3.1.4 User Flow Control Operation, and added Table 3-2 user flow control SIZE Encoding table to Section 3 Flow Control. Corrected Lane Initialization procedure, and Channel Verification in Section 4 Initialization and Error Handling. Additions to section 5.4.8 Idle Sequence, and section 5.4.11 Multi-Lane Striping and Transmission Rules in Section 5 PCS and PMA Layers. Corrections to Section 6 Electrical Specification.
02/14/2003	1.1	Added Flow Control section. Edited text and figures for clarification.
10/16/2002	1.0	Initial Xilinx Release.

Table of Contents

Revision History	3
Preface: About This Specification	
Open Standard Specification Contents	7
Conventions	7
Typographical	7
Online Document	8
Numerical	8
Values of Literals	8
State Diagram Conventions	9
Section 1: Introduction and Overview	
1.1: Introduction	11
1.2: Scope	11
1.3: Overview	12
Section 2: Data Transmission and Reception	
2.1: Overview	13
2.2: 8B/10B Data Transmission and Reception	13
2.2.1: Symbol-Pairs	13
2.2.2: Data Ordering	13
2.2.3: Transmission Scheduling	13
2.2.4: User PDU Transmission Procedures	15
2.2.5: User PDU Reception Procedures	16
Section 3: Flow Control	
3.1: Overview	19
3.1.1: Native Flow Control Operation	20
3.1.2: Native Flow Control Latency	21
3.1.3: Native Flow Control PDU Format	21
3.1.4: User Flow Control Operation	22
3.1.5: User Flow Control PDU Format	22
Section 4: Initialization and Error Handling	
4.1: Overview	23
4.2: 8B/10B Initialization and Error Handling	24
4.2.1: 8B/10B Lane Initialization	24
4.2.2: 8B/10B Channel Bonding	26
4.2.3: 8B/10B Channel Verification	26
4.2.4: 8B/10B Error Handling	27

Section 5: PCS and PMA Layers

5.1: Overview	29
5.2: PCS Layer Functions	29
5.3: PMA Layer Functions	30
5.4: 8B/10B Transmission Code	31
5.4.1: Character and Code Group Notation	32
5.4.2: Running Disparity	33
5.4.3: Running Disparity Rules	33
5.4.4: 8B/10B Encoding	34
5.4.5: Transmission Order	34
5.4.6: 8B/10B Decoding	35
5.4.7: Ordered Sets	35
5.4.8: Idle Sequence	36
5.4.9: Clock Compensation	38
5.4.10: Single-Lane Transmission Rules	38
5.4.11: Multi-Lane Striping and Transmission Rules	40

Section 6: Electrical Specifications

6.1: Overview	43
6.2: Signal Definition	43
6.3: Equalization	44
6.4: Transmitter Specifications	44
6.5: Receiver Specifications	46
6.6: Receiver Eye Diagrams	48

Appendix A: 8B/10B Coding Reference

A.1: 8B/10B Encoding	51
----------------------------	----

Appendix B: Aurora 8B/10B Serial Simplex Operation

B.1: Overview	61
B.2: Data Transmission and Reception	62
B.3: Flow Control	62
B.4: Initialization and Error Handling	62
B.5: Serial Simplex vs. Full-Duplex Operation	63
B.5.1: Transmit Interface Lane initialization	63
B.5.2: Receive Interface Lane Initialization	65
B.5.3: Transmit Interface Channel Bonding Procedure	66
B.5.4: Receive Interface Channel Bonding Procedure	66
B.5.5: Transmit Interface Channel Verification Procedure	66
B.5.6: Receive Interface Channel Verification Procedure	67
B.5.7: Receive Interface Hard Error Procedure	67
B.5.8: Use Models for Aurora 8B/10B Serial Simplex	68

Appendix C: References

Glossary	71
----------------	----

About This Specification

The Aurora 8B/10B protocol is a scalable, lightweight, link-layer protocol that can be used to move data point-to-point across one or more high-speed serial *lanes*. The Aurora 8B/10B protocol is an open standard and is available for implementation by anyone without restriction.

Open Standard Specification Contents

This Specification contains the following sections:

- [Section 1, “Introduction and Overview”](#)
- [Section 2, “Data Transmission and Reception”](#)
- [Section 3, “Flow Control”](#)
- [Section 4, “Initialization and Error Handling”](#)
- [Section 5, “PCS and PMA Layers”](#)
- [Section 6, “Electrical Specifications”](#)
- [Appendix A, “8B/10B Coding Reference”](#)
- [Appendix B, “Aurora 8B/10B Serial Simplex Operation”](#)

Conventions

This document uses the following conventions.

Typographical

The following typographical conventions are used in this document:

Convention	Meaning or Use	Example
<i>Italic font</i>	References to other manuals	See the <i>Development System Reference Guide</i> for more information.
	Emphasis in text	If a wire is drawn so that it overlaps the pin of a symbol, the two nets are <i>not</i> connected.
	To emphasize a term the first time it is used	The state machine uses <i>one-hot</i> encoding.

Convention	Meaning or Use	Example
REG[FIELD]	Abbreviations or acronyms for registers are shown in uppercase text. Specific bits, fields, or ranges appear in brackets	REG[11:14]

Online Document

The following conventions are used in this document:

Convention	Meaning or Use	Example
Blue text	Cross-reference link to a location in the current document	See the section “ Additional Resources ” for details. Refer to “ Title Formats ” in Section 1 for details.
Red text	Cross-reference link to a location in another document	See Figure 2-5 in the <i>Virtex-5 FPGA User Guide</i> .
Blue, underlined text	Hyperlink to a website (URL)	Go to http://www.xilinx.com for the latest speed files.

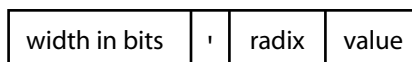
Numerical

Convention	Meaning or Use	Example
n	A decimal value	
$[n:m]$	Used to express a numerical range from n to m	
x	Unknown value	
z	High impedance	

Values of Literals

Literals are represented by specifying three of their properties as listed and shown in [Figure P-1](#) and in [Table P-1](#) and [Table P-2](#), page 9:

1. Width in bits
2. Radix (Base)
3. Value



SP002_Pf_01_031408

Figure P-1: Properties of Literals

[Table P-1](#) shows the Radix specifics:

Table P-1: Radix Specifics of Literals

Radix Specifier	Radix
b	Binary
d	Decimal
h	Hexadecimal
o	Octal

All values are extended with zero except those with x or z in the most significant place; they extend with x or z respectively. A list of examples is shown in [Table P-2](#):

Table P-2: Examples of Extended Values

Number	Value	Comment
8'b0	00000000	An 8-bit binary number with value of zero. (Zero extended to get 8 bits.)
8'bx	xxxxxxxx	An 8-bit binary number with value unknown. (x extended to get 8 bits.)
8'b1x	0000001x	An 8-bit binary number with value of 2 or 3, depending on the value of x.
8'b0x	0000000x	An 8-bit binary number with value of 0 or 1, depending on the value of x.
8'hx	xxxxxxxx	An 8-bit hexadecimal number with value unknown. (x extended to get 8 bits.)
8'hzx	zzzzxxxx	An 8-bit hexadecimal number with the upper four bits not driven and the lower four bits unknown.
8'b1	00000001	An 8-bit binary number with value of one.
8'hz1	zzzz0001	An 8-bit hexadecimal number with the upper four bits not driven and the lower four bits having value of one.
8'bx1	xxxxxxxx1	An 8-bit binary number that is odd.
8'bx0	xxxxxxxx0	An 8-bit binary number that is even.
8'hz	zzzzzzzz	An 8-bit hexadecimal number with value not driven. (z extended to get 8 bits.)
8'h0z	0000zzzz	An 8-bit hexadecimal number with upper nibble specified and the lower not driven.
11'dn	n	An 11-bit decimal number with value n.
6'hn	n	A 6-bit hexadecimal number with value n.
w'b101	...101	A binary number with value 5 and an unknown width.

State Diagram Conventions

This section describes the conventions used in the state diagrams for this document. The numbered sections correspond to the call-outs shown in the state machine diagram in [Figure P-2](#).

States

1. A state is represented by a rectangle.
2. The name of the state is indicated in bold.

State Transitions

3. State transition is indicated by an arrow annotated in italics.

State Machine Outputs

Outputs are shown in plain text. Outputs can be shown inside of state rectangles or can be part of the annotation associated with a transition arrow. If a signal is not listed in a state rectangle or on a transition arrow, its value at that time is 0 (not asserted). If a registered output does not appear in the state rectangle or transition arrow annotation, then its value is unchanged from the previous value.

Output Types

Outputs are divided into three classes as shown in the examples below.

4. Asserting control signals:
 - ◆ $go = 1$
 - ◆ $link\ reset = 1$
5. Register initialization:
 - ◆ $New\ Counter = 0$
 - ◆ $xmit = /SP/$ (an ordered set)
6. Incrementing or decrementing a register:
 - ◆ $New\ Counter = New\ Counter - 6$

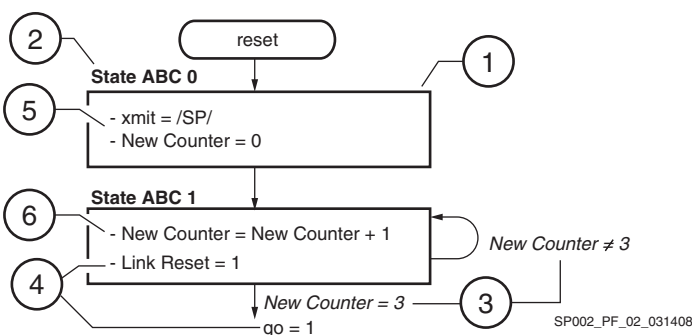


Figure P-2: State Machine Diagram Conventions

Introduction and Overview

1.1 Introduction

The Aurora 8B/10B protocol is a scalable, lightweight, link-layer protocol that can be used to move data point-to-point across one or more high-speed serial *lanes*.

The Aurora 8B/10B is protocol independent and can be used to transport industry standard protocols, such as Ethernet and TCP/IP, or proprietary protocols. This allows designers of next-generation communication and computing systems to achieve higher connectivity performance while preserving software infrastructure investment.

While primarily targeted at chip-to-chip and board-to-board applications, the Aurora 8B/10B protocol can be used for box-to-box applications with the addition of standard optical interface components.

The Aurora 8B/10B protocol is an open standard and is available for implementation by anyone without restriction.

1.2 Scope

This section outlines what this specification does and does not define.

The *Aurora 8B/10B Protocol Specification* defines the following:

- Physical layer interface: This includes the electrical levels, the clock encoding, and symbol coding.
- Initialization and error handling: This defines the steps required to prepare *channel partners* for communication across single lane and multi-lane channels. It also describes how the channel partners should behave in the presence of bit errors in the channel.
- Data striping: This describes how data is mapped across a channel of multiple serial lanes.
- Link layer: This describes how the beginning and end of *user protocol data units* (user PDUs) are marked during transmission. This also describes how data pauses may be inserted in data during transmission and how differences in clock rates between the transmitter and receiver are managed.
- Flow control: the Aurora 8B/10B protocol defines a link layer flow control mechanism and an expedited mechanism for forwarding higher layer *user flow control messages*.

The Aurora 8B/10B protocol does *not* define the following; it is assumed that these features will be handled by higher-level protocols:

- Error detection and recovery: the Aurora 8B/10B protocol does not define a mechanism for detecting errors in user PDUs, or mechanisms for recovering from them beyond that provided by the 8B/10B encoding.
- Data switching: the Aurora 8B/10B protocol does not define an addressing scheme, therefore cannot support link layer multiplexing or switching.

1.3 Overview

The Aurora 8B/10B protocol describes the transfer of user data across an *Aurora 8B/10B channel*. An Aurora 8B/10B channel consists of one or more *Aurora 8B/10B lanes*. Each Aurora 8B/10B lane is a full-duplex serial data connection. The devices that communicate across the channel are called *channel partners*. Figure 1-1 illustrates this relationship

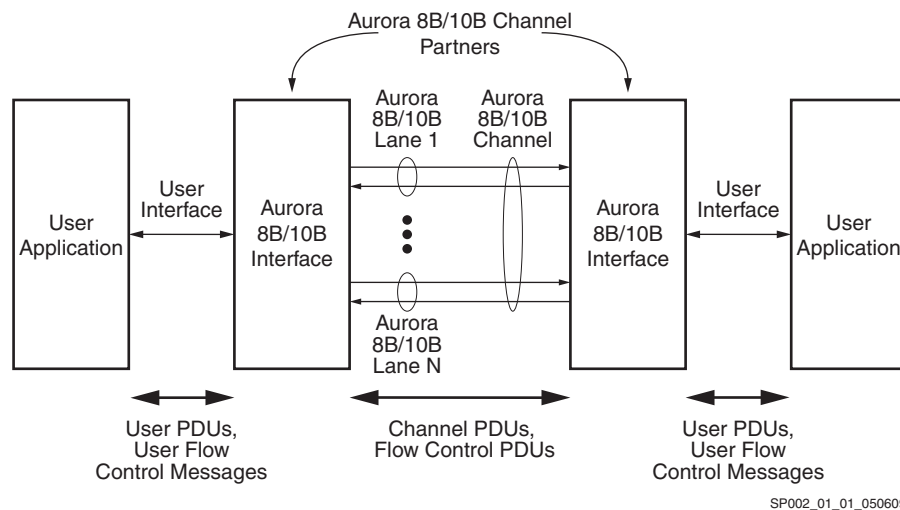


Figure 1-1: Aurora 8B/10B Channel Overview

The Aurora 8B/10B protocol interfaces transfer data and control to and from user applications by way of the user interface. The user interface is not defined in this specification.

Data flow consists of the transfer of user PDUs and user flow control messages between the user application and the Aurora 8B/10B interface, and the transfer of channel PDUs, and flow control PDUs across the Aurora 8B/10B channel. User PDUs can be of any length, but their format is not defined in this document. The format of the two types of flow control PDUs are defined in this document.

Data Transmission and Reception

2.1 Overview

This section describes the procedures for transmitting and receiving data across an *Aurora 8B/10B channel*. The Aurora 8B/10B protocol uses a symbol-based method.

2.2 8B/10B Data Transmission and Reception

2.2.1 Symbol-Pairs

The minimum unit of information that is transferred across an Aurora 8B/10B channel is two symbols, called a *symbol-pair*. The information on an Aurora 8B/10B channel (or *lane*) always comprises multiple symbol-pairs.

2.2.2 Data Ordering

Implementations of the Aurora 8B/10B protocol accept a stream of octets from user applications and transfer them across the Aurora 8B/10B channel as one or more streams of symbol-pairs. In all cases, the ordering of octet streams is preserved. For implementations that have user interfaces that are more than one octet wide, the definition of octet ordering on that interface is implementation specific.

2.2.3 Transmission Scheduling

The following symbol six types of data are transmitted over an Aurora 8B/10B channel:

- Clock Compensation Sequences: Sequences of control symbols used to prevent overrun of the receiver due to differences in clock rate between *channel partners*. Clock compensation sequences are described in [Section 5.4.9 “Clock Compensation,” page 38](#).
- Initialization Sequences: Four ordered sets that are used with the *idle sequence* to prepare an Aurora 8B/10B channel for data transmission during initialization. These ordered sets and their use are described in [Section “Initialization and Error Handling,” page 23](#).
- Native Flow Control PDUs: *Link layer flow control* PDUs generated by and interpreted by Aurora 8B/10B interfaces. These PDUs are described in [Section 3.1.3 “Native Flow Control PDU Format,” page 21](#).

- User Flow Control PDUs: Flow control *messages* generated by, and interpreted by user applications, and encapsulated for transmission into user flow control PDUs. These are described in [Section 3.1.5 “User Flow Control PDU Format,”](#) page 22.
- Channel PDUs: User PDUs encapsulated for transmission over the Aurora 8B/10B channel. These are described in [Section 2.2.4 “User PDU Transmission Procedures,”](#) page 15.
- Idle Sequences: Sequences of control symbols that are transmitted whenever there is no data to send. Idle sequences are described in [Section 5.4.8 “Idle Sequence,”](#) page 36.

In the event that several of the processes that generate these data types are prepared to transmit data at the same time, they are prioritized as shown in [Table 2-1](#).

Table 2-1: Transmission Priorities

Data Type	Priority
Clock Compensation Sequences	Highest
Initialization Sequences	
Native Flow Control PDUs	
User Flow Control PDUs	
Channel PDUs	
Idle Sequences	Lowest

The data type priority should shift when the transmitter is processing a flow control request. During native flow control countdown or user flow control countdown, idle sequences have higher priority over channel PDUs. Since idles are always transmitted when no higher priority data type is available, this shift in priority effectively prevents frame transmission until the flow control countdown is complete (see [“Flow Control”](#) in [Chapter 3](#) for details). [Table 2-2](#) shows the relative data type priority while a flow control countdown is in progress.

Table 2-2: Transmission Priorities During Flow Control Countdown

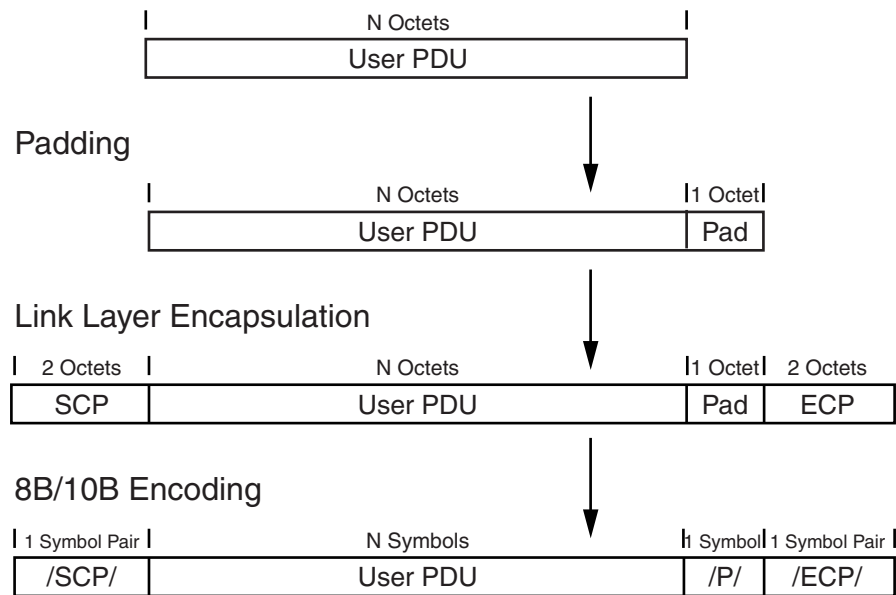
Data Type	Priority
Clock Compensation Sequences	Highest
Initialization Sequences	
Native Flow Control PDUs	
User Flow Control PDUs	
Idle Sequences	
Channel PDUs	Lowest

2.2.4 User PDU Transmission Procedures

Transmission of *user* PDUs requires the following procedures:

- Padding
- Encapsulation with channel PDU delimiters
- 8B/10B encoding of channel PDU payload
- Serialization and clock encoding

Figure 2-1 illustrates how user PDUs are mapped to channel PDUs by these procedures. Note that this figure illustrates the case where a *pad octet* is required. The remainder of this section describes these procedures in more detail.



SP002_02_01_101703

Figure 2-1: Transmission Procedures

2.2.4.1 Padding

The Aurora 8B/10B channel requires that all transmissions consist of an even number of symbols. To meet this requirement, all user PDUs that contain an odd number of octets must be padded with a single octet. This pad octet has a value of 0x9C and immediately follows the user PDU.

2.2.4.2 Link Layer Encapsulation

The user PDU is encapsulated with control symbol sequences, called *ordered sets*, to produce the complete channel PDU. These ordered sets demarcate the beginning and end of channel PDUs within the serial data stream. The Aurora 8B/10B protocol uses an /SCP/ (/K28.2/K27.7/) ordered set to mark the *start of channel* PDUs, and an /ECP/ (/K29.7/K30.7/) ordered set to mark the *end of channel* PDUs. The details of these ordered sequences can be found in Section 5.4.7 "Ordered Sets," page 35.

2.2.4.3 8B/10B Encoding

After padding, the resulting data structure is referred to as the *link layer payload*. Prior to transmission the link layer payload is 8B/10B encoded by the *physical coding sublayer* (PCS). All characters, with the exception of the pad octet, are encoded as data symbols. The pad octet is encoded as a /P/ (/K28.4/) control symbol to facilitate stripping at the receiving end. The details of the encoding process are described in [Section 5.4.4 “8B/10B Encoding,”](#) page 34.

2.2.4.4 Serialization and Clock Encoding

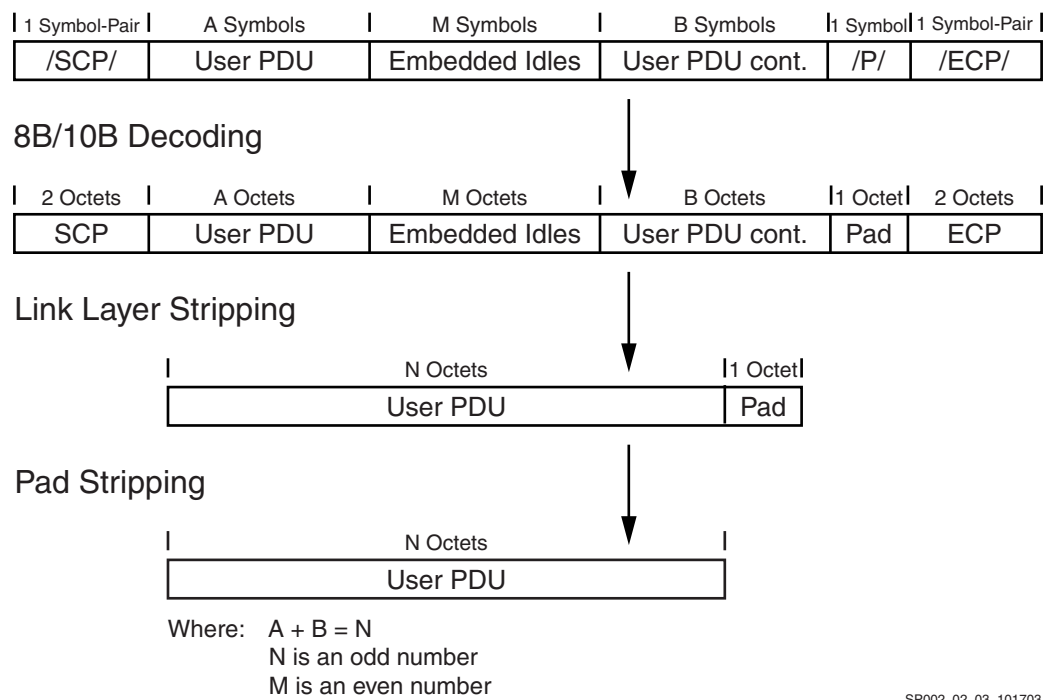
After the complete channel PDU has been assembled and encoded, it is serialized for transmission. The details of this process are described in [Section 5.4.5 “Transmission Order,”](#) page 34. The serialized data stream is transmitted in differential *non return to zero* (NRZ) format.

2.2.5 User PDU Reception Procedures

Reception of user PDUs involves the following procedures:

- Deserialization
- 8B/10B decoding of channel PDU payload
- Link layer stripping
- Pad stripping

[Figure 2-2](#) illustrates how user PDUs are mapped to channel PDUs by these procedures. Note that this figure illustrates the case where a pad octet was added to the user PDU data. The remainder of this section describes these procedures in more detail.



SP002_02_03_101703

Figure 2-2: Receive Procedures

2.2.5.1 Deserialization

The serial data stream is received in differential NRZ format. The receive logic deserializes this data into 10-bit data and control symbols. The details of this process are described in [Section 5.4.5 “Transmission Order,” page 34](#).

Symbol alignment within the stream is established during the lane initialization procedure described in [Section 4.2.1 “8B/10B Lane Initialization,” page 24](#) and is not performed again during normal channel operation.

2.2.5.2 8B/10B Decoding

After deserialization, the link layer payload is decoded into a stream of octets. The details of the 8B/10B decoding process are described in [Section 5.4.6 “8B/10B Decoding,” page 35](#). During the decode process, the presence of a /P/ (/K28.4/) control symbol followed by an /ECP/ (/K29.7/K30.7/) in the data stream must be flagged so that the pad octet can be stripped during the pad stripping procedure.

2.2.5.3 Link Layer Stripping

The link layer stripping procedure removes channel PDU encapsulation and any embedded *idle* ordered sets that may have been inserted during transmission.

Removal of channel PDU encapsulation includes the /SCP/ (/K28.2/K27.7/) ordered set to mark the start of channel PDUs, and an /ECP/ (/K29.7/K30.7/) ordered set to mark the end of channel PDUs. The details of these ordered sequences can be found in [Section 5.4.7 “Ordered Sets,” page 35](#).

Removal of idle ordered sets involves the removal of /K/ (/K28.5/), /R/ (/K28.0/), and /A/ (/K28.3/) symbols. Any number of these symbols can appear at any point in the channel PDU with the following restrictions:

- An even number of idle symbols must have been inserted
- The start of the idle sequence must begin after an even number of symbols in the channel PDU

2.2.5.4 Pad Stripping

If a /P/ (/K28.4/) control symbol followed by /ECP/ (/K29.7/K30.7/) was detected during the 8B/10B decoding process, a pad octet was post-pended to the user PDU by the transmission process in order to meet channel alignment requirements. This octet, which has a value 0x9C after decoding, shall be stripped from the end of the data stream before passing it to the user application.

Flow Control

3.1 Overview

This chapter describes the optional *flow control* mechanisms supported by the Aurora 8B/10B protocol. These mechanisms provide low-latency flow control to prevent data loss due to differences between the rate at which data is sourced and sunk between *channel partners*. Latency is minimized because flow control PDUs can be embedded within *channel* PDUs (see [Section 2.2.3 “Transmission Scheduling,”](#) page 13).

The Aurora 8B/10B protocol supports the following two flow control mechanisms:

- **Native Flow Control:** This is a *link-layer* flow control mechanism. Native flow control PDUs are generated by, and interpreted by the Aurora 8B/10B interface.
- **User Flow Control:** This mechanism can be used to implement user-defined flow control schemes at any layer. User flow control *messages* are generated by, and interpreted by the user application. The Aurora 8B/10B interface encapsulates these messages into user flow control PDUs, and provides a low latency mechanism for their transport across the channel.

[Figure 3-1, page 20](#) illustrates how these flow control schemes interrelate.

Native flow control PDUs are typically generated when elasticity storage at the receiver side is being depleted. Note that these PDUs must be generated early enough that the latency between the time that they are issued and when traffic stops does not result in an overflow of elasticity storage.

User flow control messages are forwarded from one user application to the other through the *Aurora 8B/10B channel* and are not interpreted by either Aurora 8B/10B interface.

Some things to note about the flow control mechanisms:

- Assertion of native flow control does not block the forwarding of user flow control PDUs
- User flow control PDUs, once their transmission has started, cannot be interrupted by any other sequence

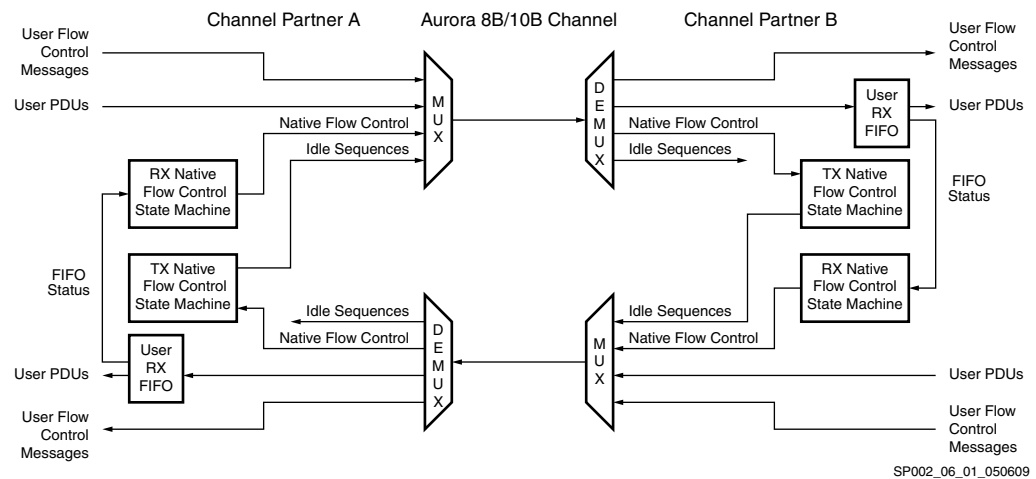


Figure 3-1: Flow Control Overview

3.1.1 Native Flow Control Operation

Operation of native flow control is governed by the two state machines shown in [Figure 3-1](#).

The RX native flow control state machine monitors the state of the RX FIFO, and generates native flow control PDUs when there is a risk of RX FIFO overflow. These PDUs request that the channel partner pause the transmission of user PDUs for a specified number of *symbol times*. The format of these native flow control PDUs is described in [Section 3.1.3 Native Flow Control PDU Format](#). The algorithm used to map the state of the FIFO to a specific native flow control PDU is implementation dependent, and is not defined in this specification.

The TX native flow control state machine responds to native flow control PDUs from the channel partner by pausing the transmission of user PDUs for the requested interval. Note that in addition to *idle sequences*, a pause can include the transmission of native flow control PDUs or user flow control PDUs since neither of these PDUs are stored in the RX FIFO.

If the Aurora 8B/10B interface is in the process of transmitting a user PDU, the TX native flow control state machine can respond in one of two ways to native flow control PDUs.

- Completion Mode: The user PDU is completed before transmission is paused.
- Immediate Mode: The transmission of the user PDU is interrupted by the pause.

All Aurora 8B/10B protocol implementations must be capable of supporting either behavior if they support flow control. The operating mode must be programmable, but this specification does not define how the operating mode is chosen.

3.1.2 Native Flow Control Latency

When operating in *immediate mode*, the maximum round trip delay contribution from the channel partners is defined, in order to bound the depth of the User RX FIFO. The contribution to latency introduced by the channel is not included in this definition, but must also be taken into account when designing the User RX FIFO for a particular channel.

The round trip delay through the Aurora 8B/10B interfaces between the native flow control PDU request and the first pause arriving at the originating channel partner must not exceed 256 *symbol* times.

3.1.3 Native Flow Control PDU Format

Native flow control PDUs are two octets in length. The first octet is an SNF (*start of native flow control*) character and the second octet is a data character called the *command octet*.

The command octet contains the PAUSE field, which specifies the number of clock cycles the *idle characters* must send in response to the PDU by the channel partner. [Figure 3-2](#) shows the command octet format, and [Table 3-1](#) shows the encoding of the PAUSE field.

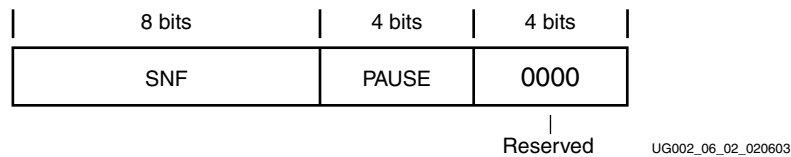


Figure 3-2: Native Flow Control Command Octet Format

Table 3-1: Native Flow Control PAUSE Field Encoding

PAUSE Field Contents	PAUSE Interval (Symbols)
0000	0 (XON)
0001	2
0010	4
0011	8
0100	16
0101	32
0110	64
0111	128
1000	256
1001 to 1110	Reserved
1111	Infinite (XOFF)

All native flow control PDUs transmitted on the same cycle must carry the same PAUSE code and XOFF bit setting. When multiple native flow control PDUs arrive on the same clock cycle, the receiver must process only one PDU, choosing any of the PDUs for processing.

3.1.4 User Flow Control Operation

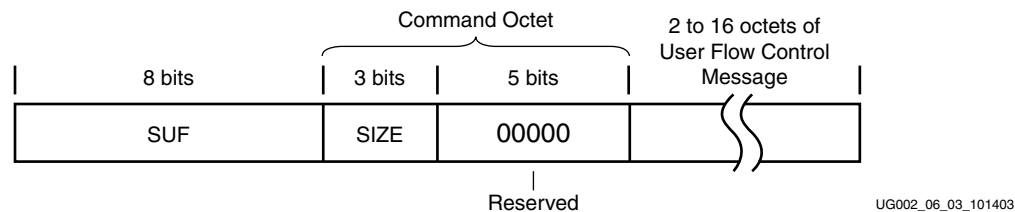
User flow control PDUs are not interruptible by clock compensation sequences, native flow control PDUs, or idle sequences once their transmission has begun. The Aurora 8B/10B protocol implementations may need to buffer user flow control PDUs to ensure that they are not interrupted, and that the clock compensation rules are met. Any buffering scheme is implementation dependent and is not defined in this specification.

3.1.5 User Flow Control PDU Format

User flow control PDUs are 4 to 18 octets in length. The first octet is an SUF (*start of user flow control*) character, which is followed by a data character called the *command octet*. This command octet is immediately followed by 2 to 16 octets of the flow control message from the user application.

Note: The /K28.4/ symbol is used for both an SUF character and a pad character for channel PDUs. However the pad character can only be followed by a control character, and can never be followed by a data character. This discriminates between a /K28.4/ used as a pad character and a /K28.4/ used to mark the start of a user flow control PDU.

Figure 3-3 shows the format of the user flow control PDU. The length of the user flow control message is specified in the SIZE field. The user flow control message size can be any even number of octets from 2 to 16 as shown in Table 3-2.



UG002_06_03_101403

Figure 3-3: User Flow Control PDU Format

Table 3-2: SIZE Encoding

SIZE Field Contents	User Flow Control Message Size
000	2 octets
001	4 octets
010	6 octets
011	8 octets
100	10 octets
101	12 octets
110	14 octets
111	16 octets

Initialization and Error Handling

4.1 Overview

This chapter describes the initialization procedures needed to prepare an *Aurora 8B/10B channel* for data transmission and reception. Initialization of an Aurora 8B/10B channel is a three-stage process. These stages are:

- **Lane Initialization:** This procedure is performed individually on each lane to activate the link and align the received data to the proper boundaries.
- **Channel Bonding:** This procedure bonds the individual lanes into a single data channel. If the function implemented only uses a single link, channel bonding is not required and will be bypassed. Channel bonding eliminates skew introduced from various sources including the trace lengths, connectors and IC variations.
- **Channel Verification:** This procedure performs any alignment needed to map received data to the user interface and verifies the ability of the channel to transfer valid data.

Figure 4-1 illustrates how these procedures interrelate. During *channel verification*, all lanes must become ready to receive data across the *channel*. When an Aurora 8B/10B interface completes channel verification, it can immediately start to transmit data.

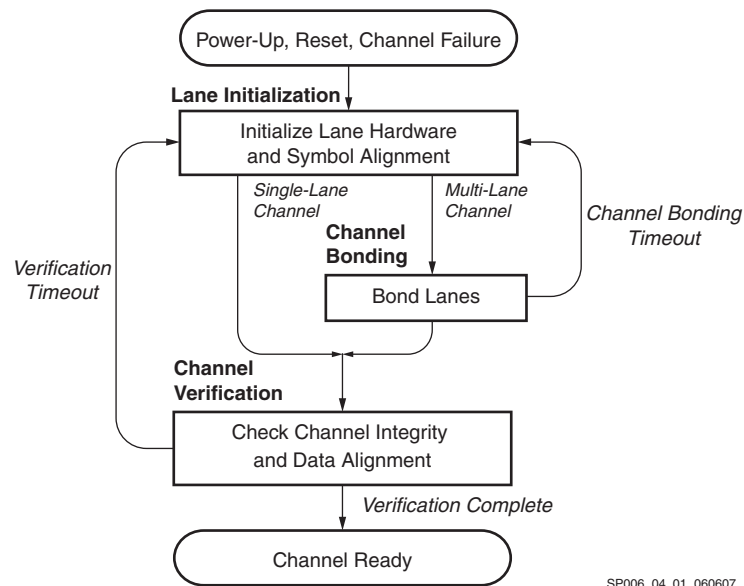


Figure 4-1: Initialization Overview

4.2 8B/10B Initialization and Error Handling

4.2.1 8B/10B Lane Initialization

The individual lane initialization procedure synchronizes each lane transceiver with its lane partner upon reset or *channel failure*. A channel failure is defined as any one of the following conditions:

- Excessive channel data errors, as defined in [Section 4.2.4 “8B/10B Error Handling”](#)
- Excessive protocol violations, implementation defined

A state diagram of the lane initialization procedure is shown in [Figure 4-2, page 25](#). See [Table 5-1, page 35](#) for the definition of /SP/, /K/, and /SPA/.

Note: /D21.5/ is the inverse of /D10.2/, and /D19.6/ is the inverse of /D12.1/.

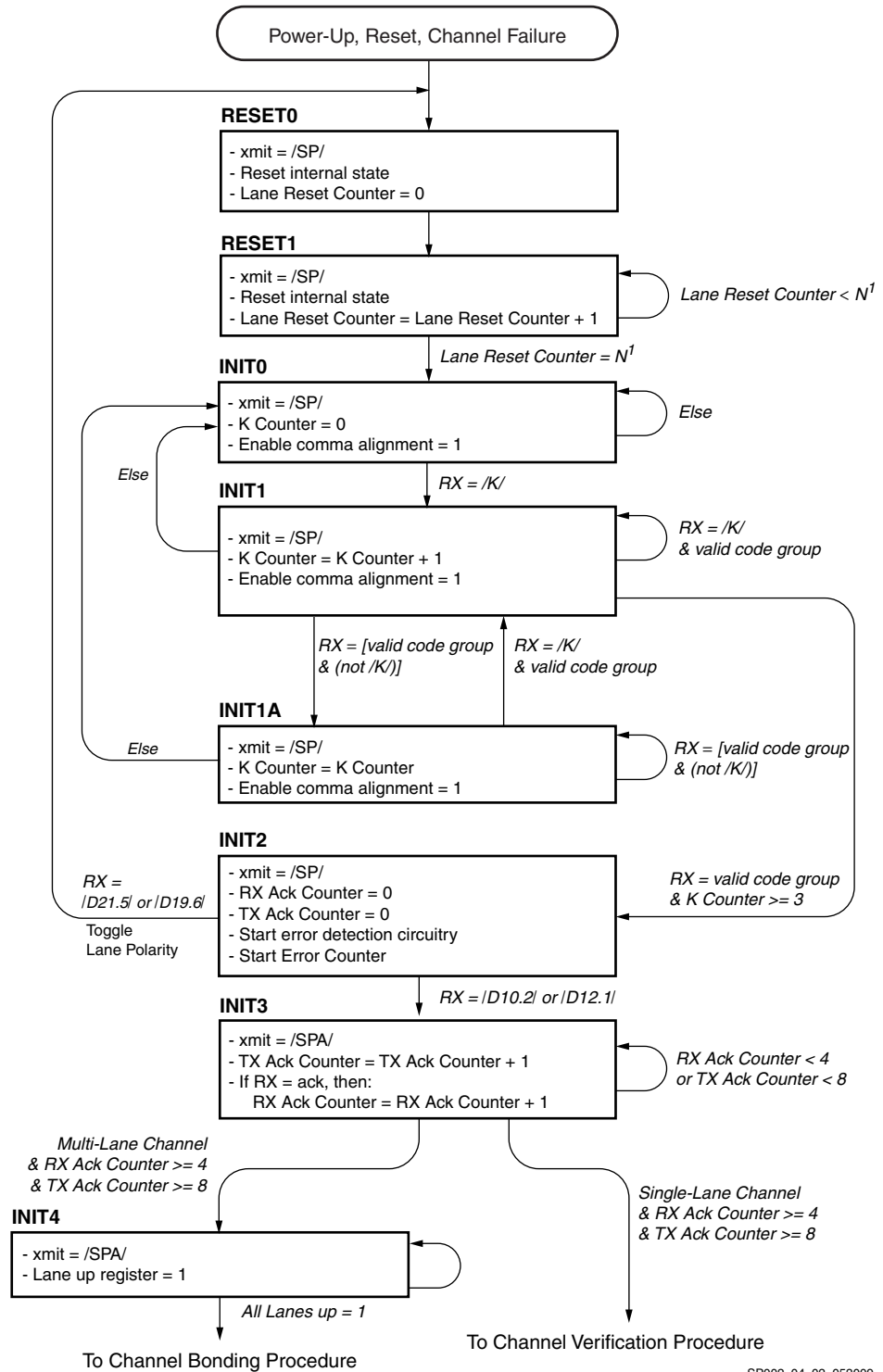


Figure 4-2: Lane Initialization Procedure

Note: See “State Diagram Conventions,” page 9 for conventions used in this diagram.

4.2.2 8B/10B Channel Bonding

The *channel bonding* procedure aligns all data being received by each lane. Channel bonding cannot begin until each lane has completed the lane initialization procedure. Figure 4-3 shows a state diagram of the channel bonding procedure. See Table 5-1, page 35 for the definition of /I/ and /A/.

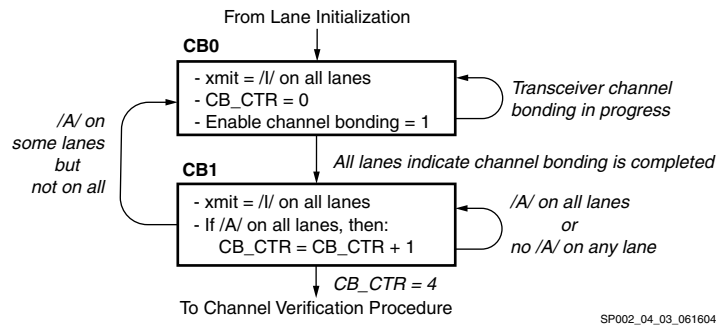


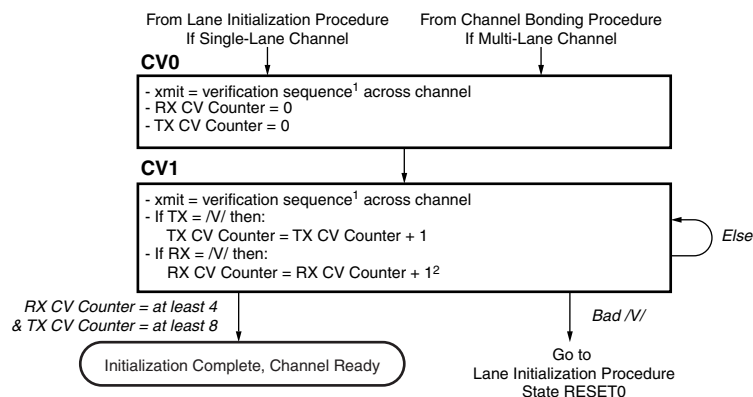
Figure 4-3: Channel Bonding Procedure

Note: See “State Diagram Conventions,” page 9 for conventions used in this diagram.

Channel bonding occurs in two phases. This first phase, which corresponds to State CB0 in Figure 4-3, consists of transceiver specific data alignment. The second phase, which corresponds to State CB1, verifies that the transceivers have aligned correctly and are delivering the /A/ ordered sets within the /I/ ordered set at the same time.

4.2.3 8B/10B Channel Verification

The *channel verification* procedure is used to align data across the user interface, and verify channel integrity. It essentially consists of sending the channel verification sequence across all lanes in each direction. Using this known data pattern, the receiving channel partners can correctly align data across the user interface, and verify channel integrity. A diagram of the procedure is shown in Figure 4-4. See Table 5-1, page 35 for the definition of /V/.



Note: 1) The verification sequence consists of the following pattern:
60 /I/ symbols followed by the four-symbol /V/ ordered set
2) When all of the lane receivers have received the third /V/ ordered set from their lane partners, the channel receiver portion of the receiver, if not already enabled, must be enabled to prevent loss of data.

Figure 4-4: Channel Verification Procedure

Note: See “State Diagram Conventions,” page 9 for conventions used in this diagram.

4.2.4 8B/10B Error Handling

During the normal transmission of data, it is possible for the channel to fail. All lanes must be individually monitored for errors. Before the serial transceiver properly byte aligns the data, many errors will be seen on the outputs. Because of this, it is important that none of the error detection circuits is activated until the lane is stable. This stable point is achieved when the K counter reaches 3, as shown in [Figure 4-2, page 25](#). Once the K counter has reached 3, all error detection circuits should be activated.

There are two types of errors: *hard* and *soft*.

A *hard* error occurs when:

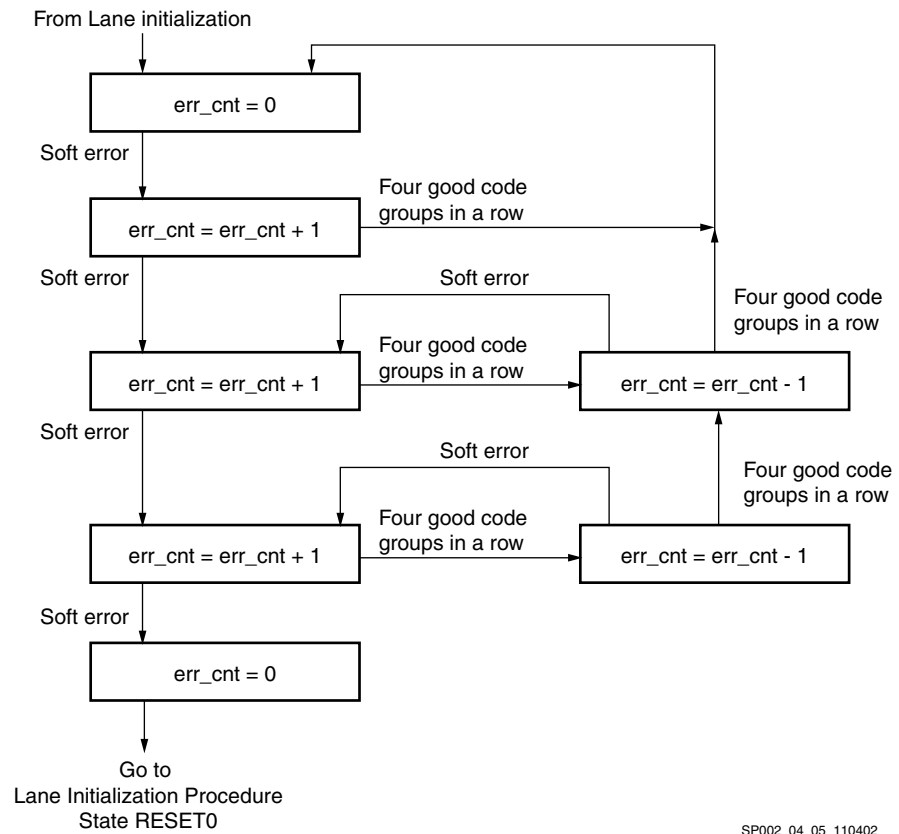
- There is an overflow /underflow in either the transmit or receive elastic buffers
- There are too many soft errors, refer to [Figure 4-5, page 28](#)
- The channel partner undergoes a reset, indicated by receipt of initialization sequences
- The physical connection between channel partners is broken

Hard errors are considered catastrophic errors, after which the channel should immediately be re-initialized. Any data unit being received when a hard error occurs is corrupt and should be discarded.

Soft errors are typically due to transient bit errors on the lane. Soft errors do not necessarily require the channel to be reset. The Aurora 8B/10B protocol does no explicit data error checking; data errors induced by soft errors should be detected and corrected by the user's error handling capability. Examples of soft errors include:

- *Disparity* errors
- *Symbol* errors

In multi-Gbps systems, a bit error can occur in a range between minutes, for a system with poor channel integrity, to days or years for a system with good channel integrity. As a result, Aurora 8B/10B interfaces must implement soft error monitoring logic to verify ongoing channel integrity. This logic consists of a soft error counter and associated control logic for each lane. [Figure 4-5, page 28](#) illustrates the required behavior of the soft error monitoring logic.



SP002_04_05_110402

Figure 4-5: Soft Error Handling

PCS and PMA Layers

5.1 Overview

This chapter specifies the functions provided by the *physical coding sublayer* (PCS) and *physical medium attachment* (PMA) sublayer (the PCS and PMA terminology is adopted from IEEE Std 802.3 [Ref 1]). While the Aurora 8B/10B protocol does not explicitly implement these sublayers, the physical layer functions that are part of the Aurora 8B/10B protocol are described using this conceptual model.

The topics include:

- 8B/10B coding
- Character representation
- Data stream serialization
- Code groups
- Columns
- Channel transmission rules
- Idle sequences
- Channel initialization

This section also describes how data is striped across lanes when the channel is made up of more than one lane. An *Aurora 8B/10B channel* is made up of one or more *Aurora 8B/10B lanes*, each of which is a full-duplex serial connection (see Section 1.3 “Overview,” page 12 for details).

5.2 PCS Layer Functions

The physical coding sublayer (PCS) function is responsible for *idle sequence* generation, lane striping, and encoding for transmission. Upon reception, the PCS is responsible for decoding, lane alignment, and destriping. The PCS in a standard implementation uses an 8B/10B encoding for transmission over the channel. See *BYTE ORIENTED DC BALANCED (0,4) 8B/10B PARTITIONED BLOCK TRANSMISSION CODE* [Ref 2], for the source of the 8B/10B encoding scheme.

The PCS layer also provides mechanisms to detect lane states. It provides for clock difference tolerance between the sender and receiver without requiring *flow control*. The Aurora 8B/10B protocol does not include mechanisms for determining the number of lanes that make up the channel. Each *channel partner* must be configured for operation over the same number of lanes.

The PCS layer performs the following list of transmit functions:

- Dequeues channel PDUs, native flow control PDUs, user flow control PDUs and delimited control symbols awaiting transmission as a character stream
- Stripes the transmit character stream across the available lanes
- Generates the idle sequence and inserts it into the transmit character stream for each lane when no PDUs or delimited control symbols are available for transmission
- Encodes the character stream of each lane independently into 10-bit parallel code groups
- Passes the resulting 10-bit parallel code groups to the PMA

The PCS layer performs the following receive functions:

- Decodes the received stream of 10-bit parallel code groups for each lane independently into characters
- Marks characters decoded from invalid code groups as invalid
- Aligns the character streams to eliminate the skew between the lanes and reassembles (destripes) the character stream from each lane into a single character stream, if the channel is using more than one lane
- Delivers the decoded character stream of PDUs and delimited control symbols to the higher layers

5.3 PMA Layer Functions

The physical medium attachment (PMA) function is responsible for serializing 10-bit parallel code groups to/from a serial bitstream on a lane-by-lane basis. Upon receiving data, the PMA function aligns the received bitstream into 10-bit code group boundaries, independently on a lane-by-lane basis. It then provides a continuous stream of 10-bit code groups to the PCS, one stream for each lane. The 10-bit code groups are not observable by layers higher than the PCS.

5.4 8B/10B Transmission Code

The 8B/10B transmission code used by the PCS encodes 9-bit characters (eight bits of information and one control bit) into 10-bit code groups for transmission, and reverses the process on reception. Encodings are defined for 256 data characters and 12 special (control) characters.

The code groups used by the transmission code are either balanced or unbalanced. A balanced code group has an equal number of ones and zeros and an unbalanced code group has an unequal number of zeros. This selection of code groups guarantees a minimum of three transitions, 0 to 1 or 1 to 0, within each code group, while maintaining DC balance.

The 8B/10B code uses *disparity* to keep track of the number of ones and zeros it has sent and received. A code group that has two more ones than zeros is assigned a positive disparity. A code group that has two more zeros than ones is assigned a negative disparity. A code group that has an equal number of ones and zeros is assigned a zero disparity. The encoder maintains DC balance by never transmitting a second code group of the same disparity without first transmitting a code group of the opposite disparity. This rule does not apply to code groups with zero disparity. The complete definition is in [Section 5.4.3 “Running Disparity Rules,” page 33](#).

The 8B/10B code has the following properties:

- Sufficient bit transition density (three to eight transitions per code group) to allow clock recovery by the receiver
- Special code groups that are used for establishing the receiver synchronization to the 10-bit code group boundaries, delimiting control symbols, and maintaining receiver bit and code group boundary synchronization
- DC balanced
- Detection of single and some multiple-bit errors

5.4.1 Character and Code Group Notation

This section describes the notation for characters, code groups, and their bits used in 8B/10B encoding and decoding.

The information bits [0-7] of an unencoded character are denoted with the letters **A** through **H** where the letter **H** denotes the most significant information bit (bit 0) and the letter **A** denotes the least significant information bit (bit 7). This is shown in Figure 5-1.

Each data character has a representation of the form $Dx.y$ where x is the decimal value of the least significant five information bits **EDCBA**, and y is the decimal value of the most significant three information bits **HGF**, as shown in Figure 5-1. Each control character has a similar representation using the form $Kx.y$.

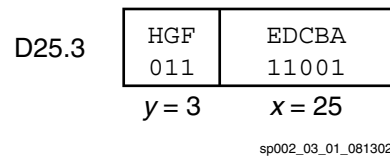


Figure 5-1: Character Notation Example (D25.3)

The output of the 8B/10B encoding process is a 10-bit code group. The bits of a code group are denoted with the letters **a** through **j**. The bits of a code group are all of equal significance, there is no most significant or least significant bit. The ordering of the code group bits is shown in Figure 5-2.

The code groups corresponding to the data character $Dx.y$ is denoted by $/Dx.y/$. The code groups corresponding to the special character $Kx.y$ are denoted by $/Kx.y/$.

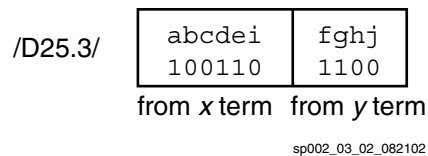


Figure 5-2: Code Group Notation Example (/D25.3/)

5.4.2 Running Disparity

The 8B/10B encoding and decoding functions use a binary variable called *running disparity*. The variable can have a value of either positive (RD+) or negative (RD-). The encoder and decoder each have a running disparity variable for each lane, which are all independent of each other.

The primary use of running disparity in the encoding process is to keep track of whether the encoder has output either more ones or more zeros. The current running disparity value is used to select which unbalanced code group will be used when the encoding for a character requires a choice between two unbalanced code groups.

The primary use of running disparity in the decoding process is to detect errors. Bit error(s) will transform a 10-bit code group into either an invalid code group or a different valid code group. For those code groups that were transformed into another valid code group, running disparity will catch all instances caused by a single bit error and some instances caused by multiple bit errors. When a running disparity error is flagged, the error can be either in that code group or in an earlier code group.

5.4.3 Running Disparity Rules

After power-up and before the channel is operational, both the transmitter (encoder) and receiver (decoder) must establish current values of running disparity. The transmitter shall use a negative value as the initial value for the running disparity for each lane.

The receiver may use either a negative or positive initial value of running disparity for each lane.

The following algorithm shall be used for calculating the running disparity for each lane. In the encoder, the algorithm operates on the code group that has just been generated by the encoder. In the receiver, the algorithm operates on the received code group that has just been decoded by the decoder.

Each code group is divided to two sub-blocks as shown in [Figure 5-2, page 32](#), where the first six bits **abcdei** form one 6-bit sub-block and the second four bits **fghj** form a second 4-bit sub-block. The running disparity value at the beginning of the 6-bit sub-block is the value determined at the end of the previous code group. Running disparity at the beginning of the 4-bit sub-block is the running disparity at the end of the 6-bit sub-block. The running disparity value at the end of the code group is the value determined at the end of the 4-bit sub-block.

The sub-block running disparity shall be calculated as follows:

1. The running disparity is positive if at the end of any sub-block the sub-block contains more ones than zeros. It is also positive if at the end of a 4-bit sub-block the sub-block has the value 4'b0011, and if at the end of a 6-bit sub-block the sub-block has the value 6'b000111.
2. The running disparity is negative if at the end of any sub-block, the sub-block contains more zeros than ones. It is also negative if at the end of a 4-bit sub-block, the sub-block has the value 4'b1100, and if at the end of a 6-bit sub-block, the sub-block has the value 6'b111000.
3. In all other cases, the value of the running disparity at the end of the sub-block is the same as the value at the beginning of the sub-block (the running disparity is unchanged).

5.4.4 8B/10B Encoding

The 8B/10B encoding function encodes 9-bit characters into 10-bit code groups. The encodings for the 256 data characters ($Dx.y$) are specified in [Table A-1, page 51](#). The encodings for the 12 control characters ($Kx.y$) are specified in [Table A-2, page 59](#). Both tables have two columns of encodings, one marked RD- and one marked RD+. When encoding a character, the code group in the RD- column is selected if the current value of encoder running disparity is negative. The code group in the RD+ column is selected if the current value of encoder running disparity is positive.

Data characters ($Dx.y$) shall be encoded according to [Table A-1, page 51](#) and the current value of encoder running disparity. Special characters ($Kx.y$) shall be encoded according to [Table A-1, page 51](#) and the current value of encoder running disparity. After each character is encoded, the resulting code group shall be used by the encoder to update the running disparity according to [Section 5.4.3 “Running Disparity Rules,” page 33](#).

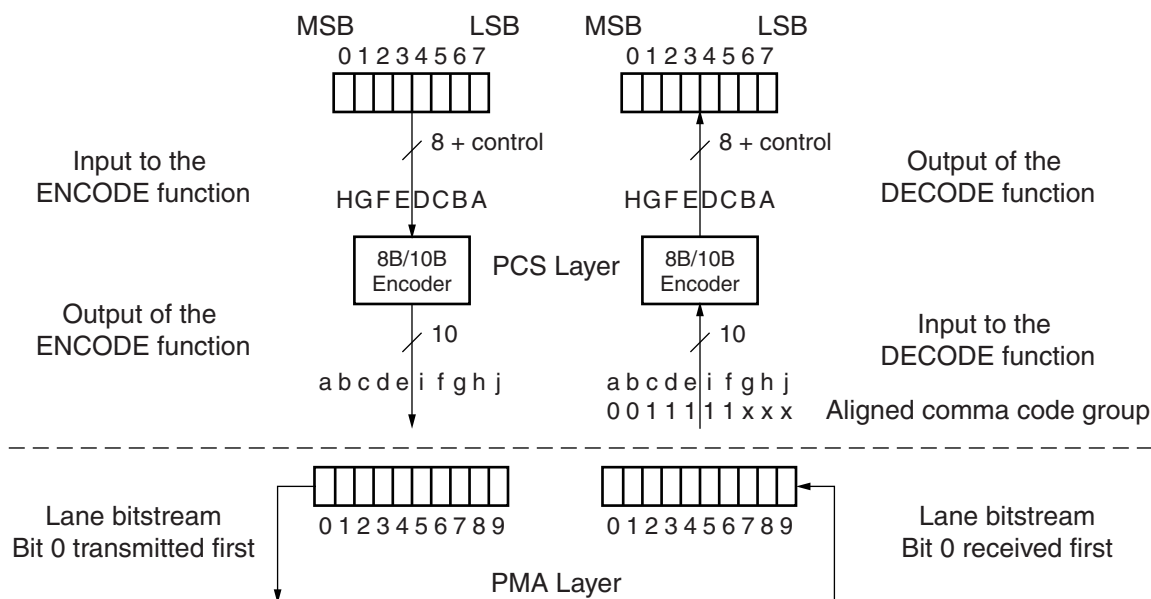
5.4.5 Transmission Order

The 10-bit parallel output of the encoder shall be serialized and transmitted with bit **a** transmitted first and a bit ordering of **abcdei fghj** as shown in [Figure 5-3](#).

[Figure 5-3](#) gives an overview of a character passing through the encoding, serializing, transmission, deserializing, and decoding processes. The left side of the figure shows the transmit process of encoding a character stream using 8B/10B encoding and the 10-bit serialization. The right side shows the reverse process of the receiver deserializing and using 8B/10B decoding on the received code groups.

The dashed line shows the functional separation between the PCS layer, that provides 10-bit code groups, and the PMA layer.

The drawing also shows, on the receive side, the bits of a special character containing the comma pattern that is used by the receiver to establish 10-bit code-boundary synchronization.



SP002_03_03_100702

Figure 5-3: Lane Encoding, Serialization, Deserialization, and Decoding Process

5.4.6 8B/10B Decoding

The 8B/10B decoding function decodes received 10-bit code groups into 9-bit characters. It also detects received code groups that have no defined decoding and marks the resulting characters in the output stream invalid.

The decoding function uses [Table A-1, page 51](#), [Table A-2, page 59](#), and the current value of the decoder running disparity. To decode a received code group, the decoder shall select the RD- column of [Table A-1, page 51](#) and [Table A-2, page 59](#) if the current value of the decoder running disparity is negative or the RD+ column if the value is positive. The decoder shall then compare the received code group with the code groups in the selected column of both tables. If a match is found, the code group is decoded to the associated character. If no match is found, the code group is decoded to a character that is flagged as invalid. After each code group is decoded, it shall be used by the decoder to update the decoder running disparity according to the rules in [Section 5.4.3 “Running Disparity Rules.”](#)

5.4.7 Ordered Sets

[Table 5-1](#) defines the ordered sets of special characters used by Aurora 8B/10B channel partners. These ordered sets are used for the following functions:

- Alignment to code group (10-bit) boundaries on lane-by-lane basis
- Alignment of the receive data stream across a channel
- Synchronization between channel partners
- Polarity checking
- Clock rate compensation between receiver and transmitter
- PDU delineation

Table 5-1: Aurora 8B/10B Ordered Sets

Ordered Set	Designator	Encoding
Idle	/I/	/K/, /R/, /A/ sequence
Sync and Polarity	/SP/	/K28.5/D10.2/D10.2/D10.2/
Sync and Polarity Acknowledge	/SPA/	/K28.5/D12.1/D12.1/D12.1/
Verification	/V/	/K28.5/D8.7 /D8.7/D8.7/
Start of Channel PDU	/SCP/	/K28.2/K27.7/
End of Channel PDU	/ECP/	/K29.7/K30.7/
Pad or Start of User Flow Control PDU	/P/ or /SUF/	/K28.4/
Comma	/K/	/K28.5/
Skip	/R/	/K28.0/
Channel Bonding	/A/	/K28.3/
Clock Compensation	/CC/	/K23.7/K23.7/
Start of Native Flow Control PDU	/SNF/	/K28.6/

5.4.8 Idle Sequence

The *idle ordered set* (idle), shown in [Table 5-1, page 35](#), is used to perform word-boundary alignment and channel bonding during initialization. During operation, idles are used to indicate that there is no data. Idle insertion occurs during wait-states and in between channel PDUs. The idle ordered set consists of three code groups: /A/, /K/, and /R/. The /K/ and /R/ code groups must be applied in a pseudo-random sequence (between /A/ code groups) to reduce EMI, by not producing a discrete spectrum. The following conditions apply:

- /A/ spacing is randomized with a minimum of 16 code groups but no more than 32 code groups between any two /A/ code groups.
- /K/s and /R/s are placed between the /A/s in a random fashion.
- The minimum transmit pattern is one *symbol-pair*. Any of the three characters can be sent, as long as the preceding two rules are obeyed. If the /A/ is sent, the spacing rule must still be obeyed.
- For multi-lane channels, the same idle symbol-pair must be transmitted simultaneously on all lanes that require an idle at that time.
- No discrete spectrum is created.

The example in [Figure 5-4](#) shows an /A/ code group having a separation of 31 code groups. It also shows the current running disparity after the character has been applied.

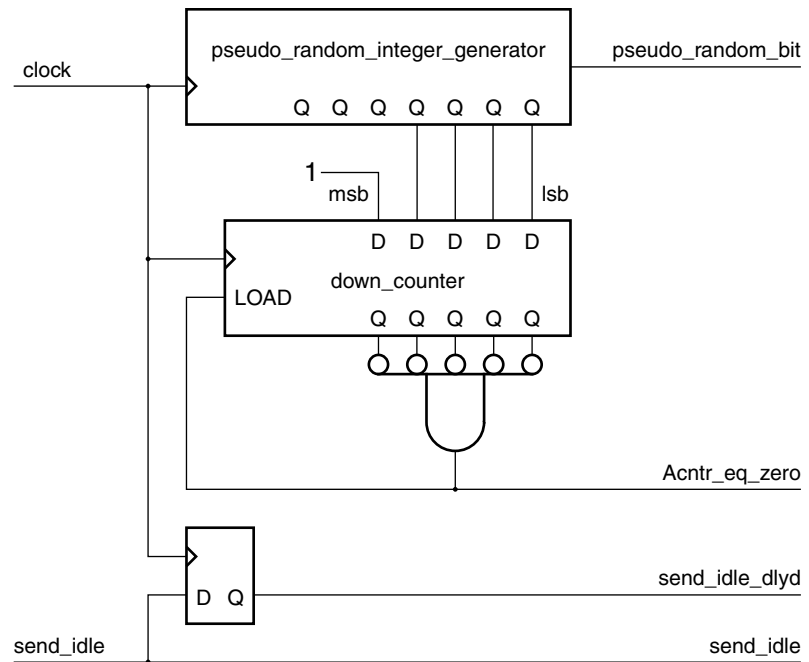
Note: /A/ and /K/ will change the current running disparity. /R/ will keep the disparity the same.

-A +K +R -K -R -R +K -K -R +K +R -K -R -R +K -K -R -R +K +R +R -K -R -R +K +R +R -K +K +R -K +K -A

SP002_03_04_082202

Figure 5-4: Example of an Idle Sequence

Figure 5-5 shows an example implementation of idle generation logic which meets the requirements.



$$\begin{aligned} \text{send_K} &= \text{send_idle} \& \text{ (!send_idle_dlyd | send_idle_dlyd \& !Acntr_eq_zero \& pseudo_random_bit)} \\ \text{send_A} &= \text{send_idle} \& \text{ send_idle_dlyd \& Acntr_eq_zero} \\ \text{send_R} &= \text{send_idle} \& \text{ send_idle_dlyd \& !Acntr_eq_zero \& !pseudo_random_bit} \end{aligned}$$

SP002_03_04_082102

Figure 5-5: Example of a Pseudo-Random Idle Code Group Generator

5.4.9 Clock Compensation

The Aurora 8B/10B protocol provides a compensating mechanism for clock rate differences between the transmitter and receiver. This mechanism, called *clock compensation*, can accommodate up to a ± 100 ppm clock rate differential between the transmitter and the receiver. The Aurora 8B/10B protocol implements clock compensation by periodically inserting clock compensation sequences into idle patterns or user data. Clock compensation sequences should not be inserted into user flow control PDUs, see [Section 3.1.4 “User Flow Control Operation,” page 22](#).

The clock compensation sequence consists of six copies of the clock compensation ordered set, /CC/. The clock compensation sequence shall be transmitted at least every 10,000 code groups even when there are PDUs or other code groups available for transmission. For multi-lane channels, the complete clock compensation sequence is transmitted simultaneously over each lane that makes up the channel.

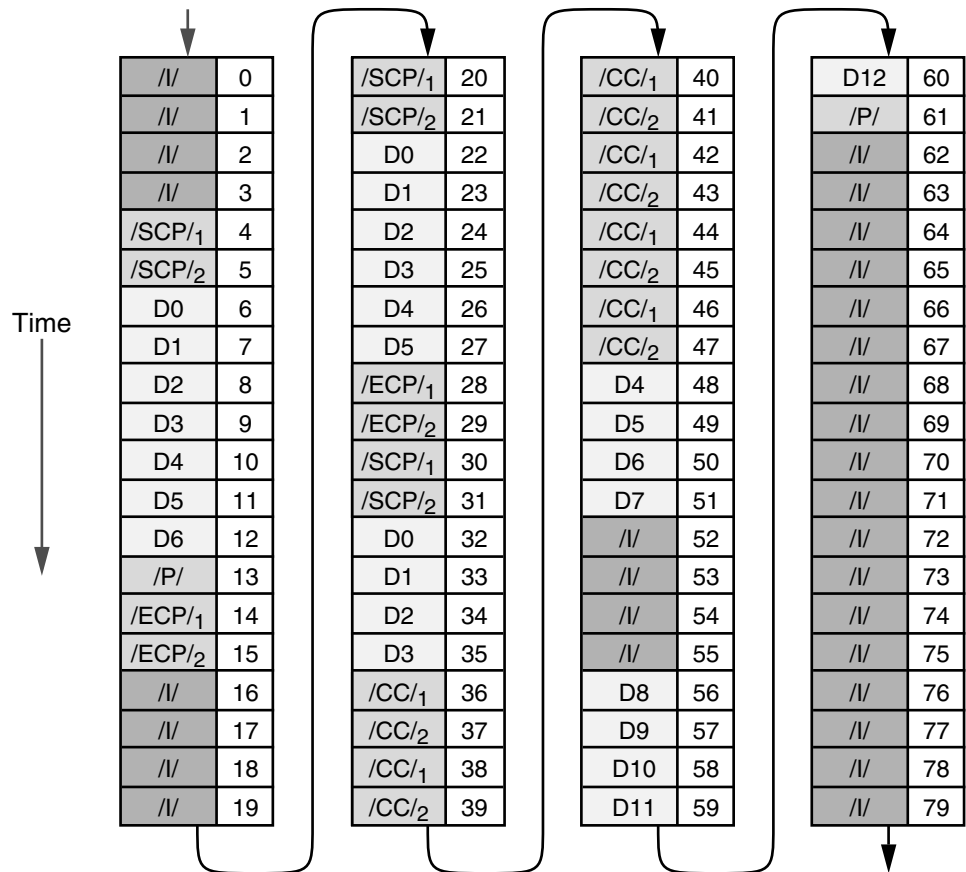
5.4.10 Single-Lane Transmission Rules

A single-lane channel has a single differential pair in each direction. A single-lane channel shall be encoded and shall transmit the character stream of control ordered sets and PDUs received from the upper layers over the differential pair in the order the characters were received from the upper layers.

When neither control ordered sets nor PDUs are available from the upper layers for transmission, the idle sequence shall be fed to the input of the encoder for encoding and transmission.

On reception, the code group stream is decoded and passed to the upper layers. [Figure 5-6, page 39](#) shows the encoding and transmission order for a channel PDU transmitted over a single-lane channel. The data stream shown in [Figure 5-6, page 39](#) illustrates many of the cases defined in the protocol. The key features to note in the figure are:

- The first example shows how a channel PDU with an odd number of payload octets is padded to maintain alignment of the /ECP/ symbol
- The third example shows a channel PDU interrupted by a clock compensation sequence, and idles



Note:

/SCP/1 = /K28.2/ /ECP/1 = /K29.7/ /CC/1 = /K23.7/
 /SCP/2 = /K27.7/ /ECP/2 = /K30.7/ /CC/2 = /K23.7/

The sequence shown is for illustrative purposes only,

SP002_03_05_062507

Figure 5-6: Single-Lane Channel Typical Data Flow

5.4.11 Multi-Lane Striping and Transmission Rules

The Aurora 8B/10B protocol defines the striping of user data and control ordered sets across channels consisting of an arbitrary number of lanes. The striping scheme balances lane efficiency and implementation simplicity. Figure 5-7 is an overview of the striping scheme.

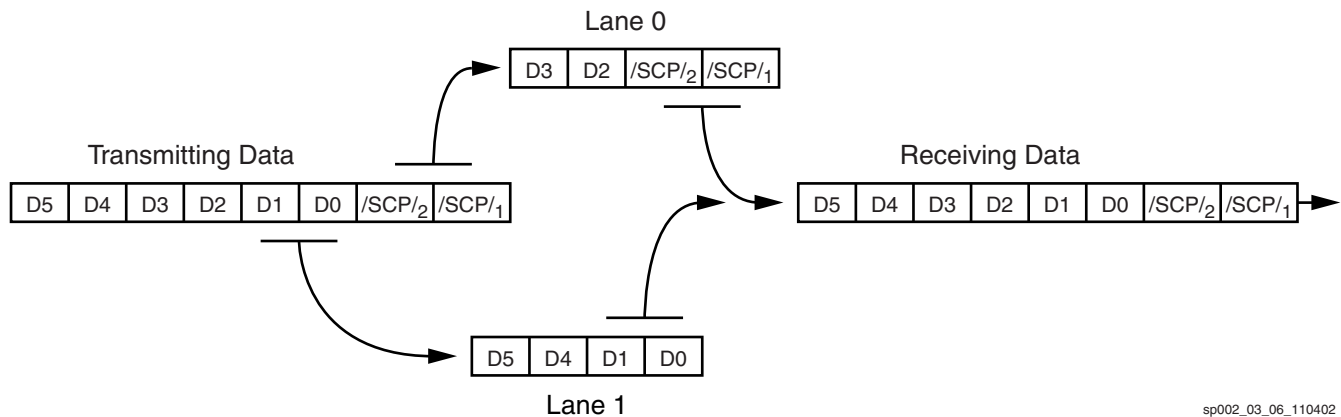


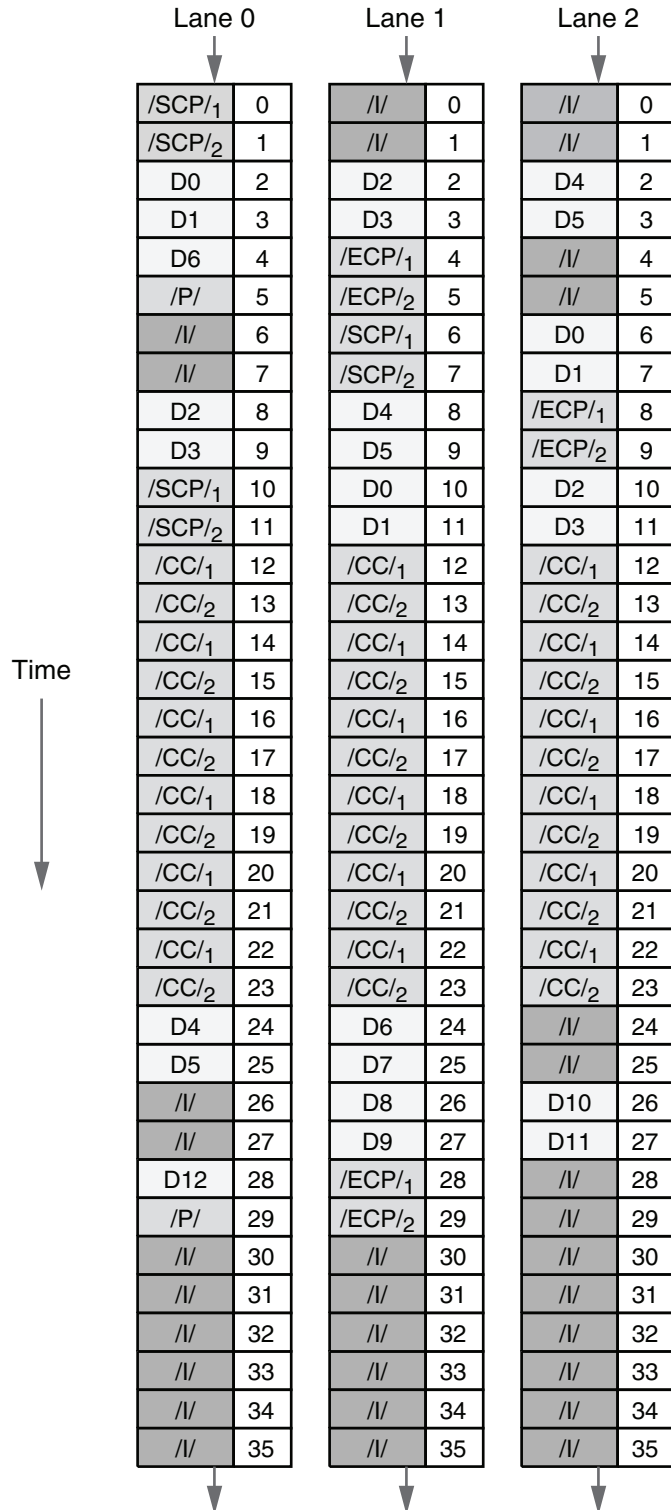
Figure 5-7: Channel Striping Overview

Striping allocates symbol-pairs across multiple lanes. Striping is the method used to send data simultaneously across all n lanes of a multi-lane channel. The symbol stream is striped across the lanes on a symbol-pair by symbol-pair basis. Striping may begin in any lane and proceeds lane by lane. For example, the first symbol-pair is striped onto lane 0, the second symbol-pair onto lane 1, and the n th symbol-pair onto lane $n-1$. The n th+1 symbol-pair is striped onto lane 0.

The only special requirements are as follows:

- The individual symbols in the symbol pairs /SCP/, /ECP/, /SNF/, /SUF/ must not be split between lanes, but can be transmitted and received on any lane
- When /I/ sequences are transmitted, the same data pattern must be transmitted over each lane in the channel that requires an /I/ sequence

Figure 5-8, page 41 shows how the same channel sequence shown in Figure 5-6, page 39 would be transmitted over a channel consisting of three lanes.



Note:

/SCP/1 = /K28.2/ /ECP/1 = /K29.7/ /CC/1 = /K23.7/
 /SCP/2 = /K27.7/ /ECP/2 = /K30.7/ /CC/2 = /K23.7/

SP002_03_07_082614

Figure 5-8: Typical Data Flow for a Triple-Lane Channel

Electrical Specifications

6.1 Overview

The AC specifications cover both single-lane and multi-lane implementations. The specifications define two types of transmitters and one type of receiver with baud rates of 1.25, 2.5, and 3.125 Gbps. The Aurora 8B/10B protocol does not preclude the use of other baud rates, but only defines timing for these by way of example.

This chapter specifies differential signaling in quantities that represent the voltage difference between the true and complement signals. This is known as the peak-to-peak voltage. The peak-to-peak voltage is twice that of the peak voltage of either the true or the complement signal. Specific definitions are given [Table 6-2, page 46](#).

To ensure interoperability between drivers and receivers of different vendors and technologies, AC coupling at the receiver input is required.

Electrical characteristics are defined by the transceiver only and the Aurora 8B/10B core is expected to work at the maximum line rate supported by the respective transceiver.

6.2 Signal Definition

The Aurora 8B/10B protocol uses differential signaling between ports. This section specifies signals using *peak-to-peak* differential voltages. [Figure 6-1](#) shows how the signals are defined. The figure shows waveforms for either a transmitter (TD and \overline{TD}) or a receiver (RD and \overline{RD}). Each signal swings between A volts and B volts. Using these waveforms, the definitions are as follows:

1. The transmitter or receiver has a peak-to-peak range of A - B
2. The differential signal ranges from + |A-B| to - |A-B|
3. The differential peak-to-peak signal is 2 * (A-B)

Peak-to-peak is the difference between the most positive and the most negative readings of a particular signal. In this case $(A-B) - (-(A-B)) = 2*(A-B)$.

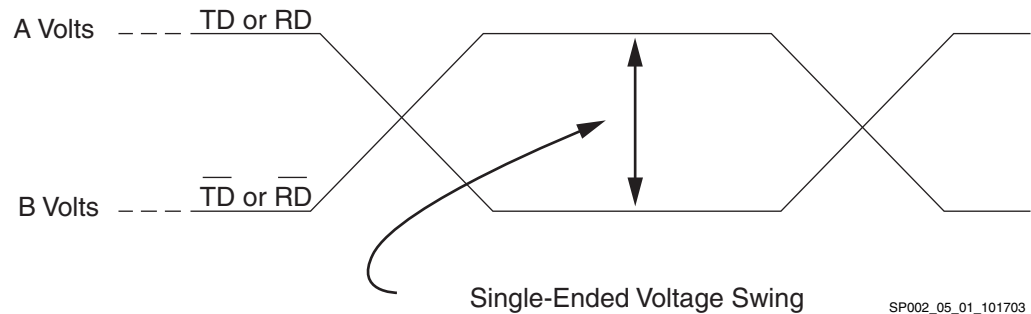


Figure 6-1: Differential Peak-To-Peak Voltage of Transmitter or Receiver

To illustrate this concept using real values, consider the case where a current mode logic (CML) transmitter has a termination voltage of 2.5V and has a swing between 2.5V and 2.0V. Using these values, the peak-to-peak range is 500 mV. The differential signal ranges between 500 mV and -500 mV. The peak differential signal is 500 mV. The differential peak-to-peak signal is 1000 mV.

6.3 Equalization

With the use of high-speed serial transceivers, the interconnect media causes degradation of the signal at the receiver. Effects such as inter-symbol interference (ISI) or data-dependent jitter are produced. This loss can be large enough to degrade the eye opening at the receiver beyond that which is allowed in this specification. To negate a portion of these effects, equalization techniques can be used, such as:

- Pre-emphasis: Applied to the transmitter
- Passive equalization: A passive high pass filter network placed at the receiver
- Adaptive equalization: The use of active circuits in the receiver

6.4 Transmitter Specifications

Driver AC timing specifications are displayed in the tables below.

Table 6-1: Transmitter AC Timing Specifications - 1.25 Gbps Baud Rate

Characteristic	Symbol	Range		Unit	Notes
		Min	Max		
Differential output voltage	V_{DIFF}	800	1600	mV	Peak-to-peak differential
Rise/fall time	T_{MRF}	60		ps	At driver output
Deterministic jitter	J_D		0.17	UI	
Total jitter	J_T		0.35	UI	

Table 6-1: Transmitter AC Timing Specifications - 1.25 Gbps Baud Rate

Characteristic	Symbol	Range		Unit	Notes
		Min	Max		
Output skew	S_O		25	ps	Skew at a transmitter output between the two signals comprising a differential pair
Multiple output skew	S_{MO}		1000	ps	Skew at the transmitter output between lanes of a multi-lane <i>channel</i>
Unit interval	UI	800	800	ps	+/- 100 ppm

Note: AC coupling is required to guarantee interoperability between vendors.

Table 6-2: Transmitter AC Timing Specifications - 2.5 Gbps Baud Rate

Characteristic	Symbol	Range		Unit	Notes
		Min	Max		
Differential output voltage	V_{DIFF}	800	1600	mV	Peak-to-peak differential
Rise/fall time	T_{MRF}	40		ps	At driver output
Deterministic jitter	J_D		0.17	UI	
Total jitter	J_T		0.35	UI	
Output skew	S_O		20	ps	Skew at a transmitter output between the two signals comprising a differential pair
Multiple output skew	S_{MO}		1000	ps	Skew at the transmitter output between lanes of a multi-lane channel
Unit interval	UI	400	400	ps	+/- 100 ppm

Note: AC coupling is required to guarantee interoperability between vendors.

Table 6-3: Transmitter AC Timing Specifications - 3.125 Gbps Baud Rate

Characteristic	Symbol	Range		Unit	Notes
		Min	Max		
Differential output voltage	V_{DIFF}	800	1600	mV	Peak-to-peak differential
Rise/fall time	T_{MRF}	30		ps	At driver output
Deterministic jitter	J_D		0.17	UI	
Total jitter	J_T		0.35	UI	
Output skew	S_O		15	ps	Skew at a transmitter output between the two signals comprising a differential pair
Multiple output skew	S_{MO}		1000	ps	Skew at the transmitter output between lanes of a multi-lane channel
Unit interval	UI	320	320	ps	+/- 100 ppm

Note: AC coupling is required to guarantee interoperability between vendors.

6.5 Receiver Specifications

Receiver AC timing specifications are displayed in the tables below.

Table 6-4: Receiver AC Timing Specifications - 1.25 Gbps Baud Rate

Characteristic	Symbol	Range		Unit	Notes
		Min	Max		
Differential input voltage	V_{IN}	200	1600	mV	Peak-to-peak differential input voltage
Deterministic jitter	J_D		0.37	UI	Measured at receiver.
Total jitter	J_T		0.65	UI	Measured at receiver

Table 6-4: Receiver AC Timing Specifications - 1.25 Gbps Baud Rate

Characteristic	Symbol	Range		Unit	Notes
		Min	Max		
Input skew	S _I		75	ps	Skew at a receiver input between the two signals comprising a differential pair
Multiple input skew	S _{MI}		24	ns	Skew at the receiver input between lanes of a multi-lane channel
Bit error rate	BER		10 ⁻¹²		
Unit interval	UI	800	800	ps	+/- 100 ppm

Note: AC coupling is required to guarantee interoperability between vendors.

Table 6-5: Receiver AC Timing Specifications - 2.5 Gbps Baud Rate

Characteristic	Symbol	Range		Unit	Notes
		Min	Max		
Differential input voltage	V _{IN}	200	1600	mV	Peak-to-peak differential input voltage
Deterministic jitter	J _D		0.37	UI	Measured at receiver.
Total jitter	J _T		0.65	UI	Measured at receiver
Input skew	S _I		75	ps	Skew at a receiver input between the two signals comprising a differential pair
Multiple input skew	S _{MI}		24	ns	Skew at the receiver input between lanes of a multi-lane channel
Bit error rate	BER		10 ⁻¹²		
Unit interval	UI	400	400	ps	+/- 100 ppm

Note: AC coupling is required to guarantee interoperability between vendors.

Table 6-6: Receiver AC Timing Specifications - 3.125 Gbps Baud Rate

Characteristic	Symbol	Range		Unit	Notes
		Min	Max		
Differential input voltage	V_{IN}	200	1600	mV	Peak-to-peak differential input voltage
Deterministic jitter	J_D		0.37	UI	Measured at receiver.
Total jitter	J_T		0.65	UI	Measured at receiver
Input skew	S_I		75	ps	Skew at a receiver input between the two signals comprising a differential pair
Multiple input skew	S_{MI}		24	ns	Skew at the receiver input between lanes of a multi-lane channel
Bit error rate	BER		10^{-12}		
Unit interval	UI	320	320	ps	+/- 100 ppm

Note: AC coupling is required to guarantee interoperability between vendors.

6.6 Receiver Eye Diagrams

The following receiver eye openings are required to ensure proper operation.

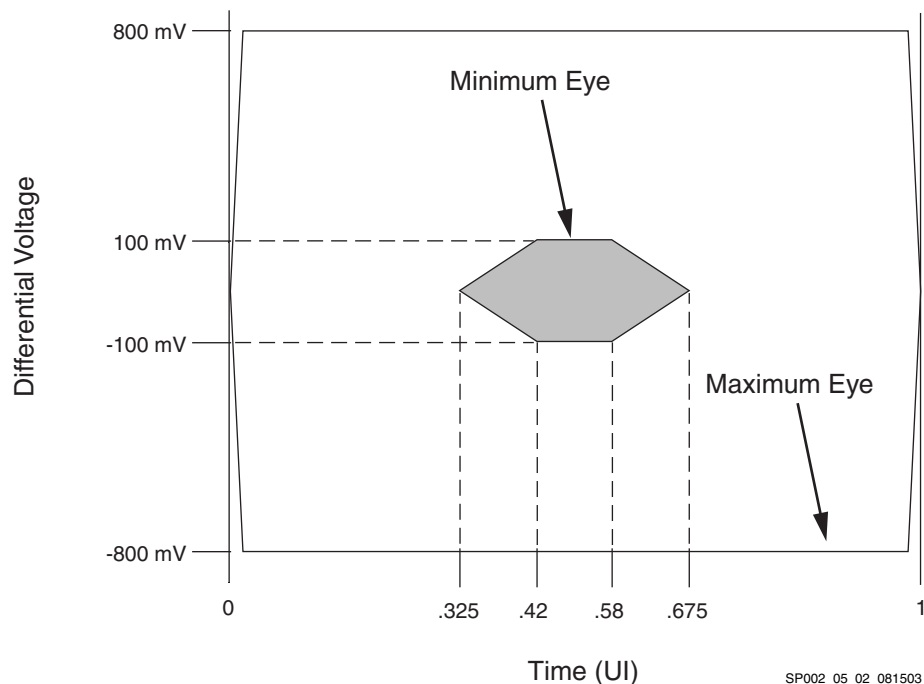


Figure 6-2: 1.25 Gbps Baud Rate Receiver Eye Diagram

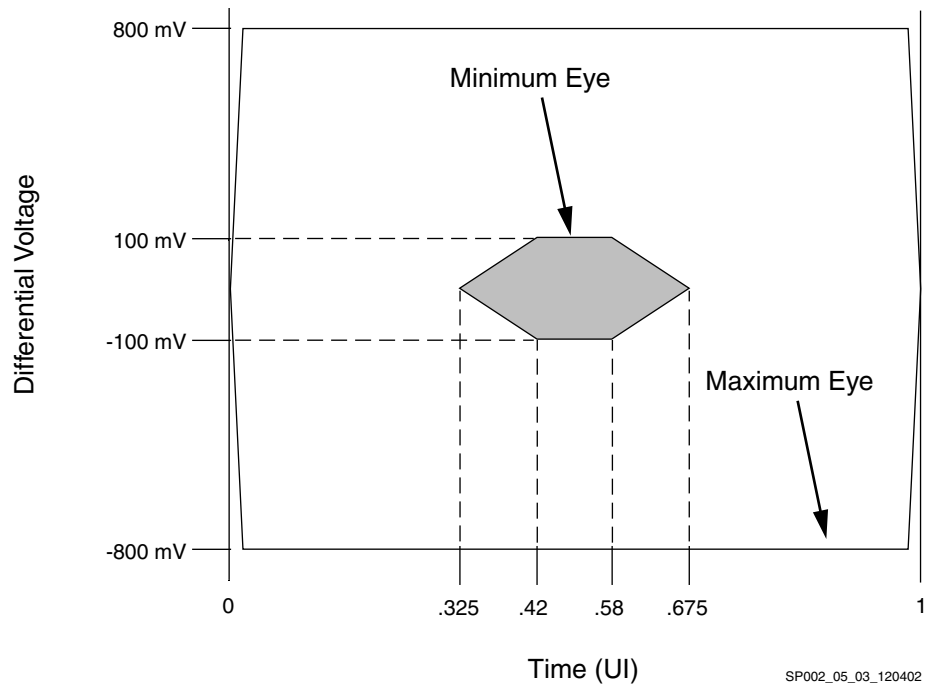


Figure 6-3: 2.5 Gbps Baud Rate Receiver Eye Diagram

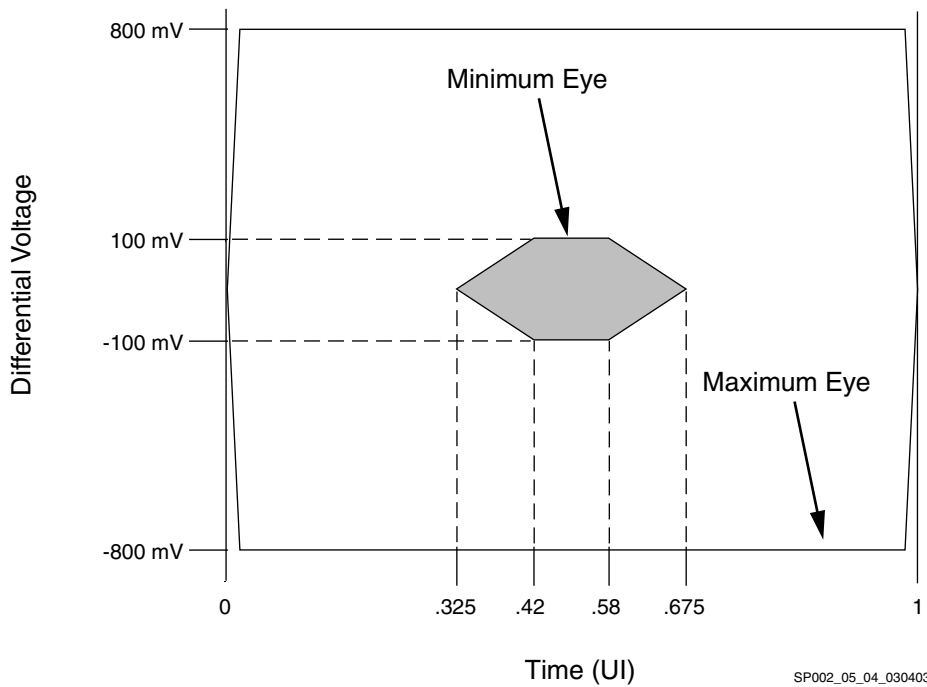


Figure 6-4: 3.125 Gbps Baud Rate Receiver Eye Diagram

8B/10B Coding Reference

A.1 8B/10B Encoding

The Aurora 8B/10B protocol uses 8B/10B line coding, which includes *Data* characters and *K* characters. The 8-bit values are coded into 10-bit values, keeping the serial line DC balanced and providing sufficient line transitions for reliable clock recovery. *K* characters are special *Data* characters used to construct the ordered sets defined in [Table 5-1, page 35](#). [Table A-1](#), and [Table A-2, page 59](#) show the tables of valid *Data* and *K* characters.

Table A-1: Valid Data Characters

Data Byte Name	Bits HGF EDCBA	Current RD – abcdei fghj	Current RD + abcdei fghj
D0.0	000 00000	100111 0100	011000 1011
D1.0	000 00001	011101 0100	100010 1011
D2.0	000 00010	101101 0100	010010 1011
D3.0	000 00011	110001 1011	110001 0100
D4.0	000 00100	110101 0100	001010 1011
D5.0	000 00101	101001 1011	101001 0100
D6.0	000 00110	011001 1011	011001 0100
D7.0	000 00111	111000 1011	000111 0100
D8.0	000 01000	111001 0100	000110 1011
D9.0	000 01001	100101 1011	100101 0100
D10.0	000 01010	010101 1011	010101 0100
D11.0	000 01011	110100 1011	110100 0100
D12.0	000 01100	001101 1011	001101 0100
D13.0	000 01101	101100 1011	101100 0100
D14.0	000 01110	011100 1011	011100 0100
D15.0	000 01111	010111 0100	101000 1011
D16.0	000 10000	011011 0100	100100 1011
D17.0	000 10001	100011 1011	100011 0100
D18.0	000 10010	010011 1011	010011 0100

Table A-1: Valid Data Characters (Cont'd)

Data Byte Name	Bits HGF EDCBA	Current RD – abcdei fghj	Current RD + abcdei fghj
D19.0	000 10011	110010 1011	110010 0100
D20.0	000 10100	001011 1011	001011 0100
D21.0	000 10101	101010 1011	101010 0100
D22.0	000 10110	011010 1011	011010 0100
D23.0	000 10111	111010 0100	000101 1011
D24.0	000 11000	110011 0100	001100 1011
D25.0	000 11001	100110 1011	100110 0100
D26.0	000 11010	010110 1011	010110 0100
D27.0	000 11011	110110 0100	001001 1011
D28.0	000 11100	001110 1011	001110 0100
D29.0	000 11101	101110 0100	010001 1011
D30.0	000 11110	011110 0100	100001 1011
D31.0	000 11111	101011 0100	010100 1011
D0.1	001 00000	100111 1001	011000 1001
D1.1	001 00001	011101 1001	100010 1001
D2.1	001 00010	101101 1001	010010 1001
D3.1	001 00011	110001 1001	110001 1001
D4.1	001 00100	110101 1001	001010 1001
D5.1	001 00101	101001 1001	101001 1001
D6.1	001 00110	011001 1001	011001 1001
D7.1	001 00111	111000 1001	000111 1001
D8.1	001 01000	111001 1001	000110 1001
D9.1	001 01001	100101 1001	100101 1001
D10.1	001 01010	010101 1001	010101 1001
D11.1	001 01011	110100 1001	110100 1001
D12.1	001 01100	001101 1001	001101 1001
D13.1	001 01101	101100 1001	101100 1001
D14.1	001 01110	011100 1001	011100 1001
D15.1	001 01111	010111 1001	101000 1001
D16.1	001 10000	011011 1001	100100 1001
D17.1	001 10001	100011 1001	100011 1001
D18.1	001 10010	010011 1001	010011 1001

Table A-1: Valid Data Characters (Cont'd)

Data Byte Name	Bits HGF EDCBA	Current RD – abcdei fghj	Current RD + abcdei fghj
D19.1	001 10011	110010 1001	110010 1001
D20.1	001 10100	001011 1001	001011 1001
D21.1	001 10101	101010 1001	101010 1001
D22.1	001 10110	011010 1001	011010 1001
D23.1	001 10111	111010 1001	000101 1001
D24.1	001 11000	110011 1001	001100 1001
D25.1	001 11001	100110 1001	100110 1001
D26.1	001 11010	010110 1001	010110 1001
D27.1	001 11011	110110 1001	001001 1001
D28.1	001 11100	001110 1001	001110 1001
D29.1	001 11101	101110 1001	010001 1001
D30.1	001 11110	011110 1001	100001 1001
D31.1	001 11111	101011 1001	010100 1001
D0.2	010 00000	100111 0101	011000 0101
D1.2	010 00001	011101 0101	100010 0101
D2.2	010 00010	101101 0101	010010 0101
D3.2	010 00011	110001 0101	110001 0101
D4.2	010 00100	110101 0101	001010 0101
D5.2	010 00101	101001 0101	101001 0101
D6.2	010 00110	011001 0101	011001 0101
D7.2	010 00111	111000 0101	000111 0101
D8.2	010 01000	111001 0101	000110 0101
D9.2	010 01001	100101 0101	100101 0101
D10.2	010 01010	010101 0101	010101 0101
D11.2	010 01011	110100 0101	110100 0101
D12.2	010 01100	001101 0101	001101 0101
D13.2	010 01101	101100 0101	101100 0101
D14.2	010 01110	011100 0101	011100 0101
D15.2	010 01111	010111 0101	101000 0101
D16.2	010 10000	011011 0101	100100 0101
D17.2	010 10001	100011 0101	100011 0101
D18.2	010 10010	010011 0101	010011 0101

Table A-1: Valid Data Characters (Cont'd)

Data Byte Name	Bits HGF EDCBA	Current RD – abcdei fghj	Current RD + abcdei fghj
D19.2	010 10011	110010 0101	110010 0101
D20.2	010 10100	001011 0101	001011 0101
D21.2	010 10101	101010 0101	101010 0101
D22.2	010 10110	011010 0101	011010 0101
D23.2	010 10111	111010 0101	000101 0101
D24.2	010 11000	110011 0101	001100 0101
D25.2	010 11001	100110 0101	100110 0101
D26.2	010 11010	010110 0101	010110 0101
D27.2	010 11011	110110 0101	001001 0101
D28.2	010 11100	001110 0101	001110 0101
D29.2	010 11101	101110 0101	010001 0101
D30.2	010 11110	011110 0101	100001 0101
D31.2	010 11111	101011 0101	010100 0101
D0.3	011 00000	100111 0011	011000 1100
D1.3	011 00001	011101 0011	100010 1100
D2.3	011 00010	101101 0011	010010 1100
D3.3	011 00011	110001 1100	110001 0011
D4.3	011 00100	110101 0011	001010 1100
D5.3	011 00101	101001 1100	101001 0011
D6.3	011 00110	011001 1100	011001 0011
D7.3	011 00111	111000 1100	000111 0011
D8.3	011 01000	111001 0011	000110 1100
D9.3	011 01001	100101 1100	100101 0011
D10.3	011 01010	010101 1100	010101 0011
D11.3	011 01011	110100 1100	110100 0011
D12.3	011 01100	001101 1100	001101 0011
D13.3	011 01101	101100 1100	101100 0011
D14.3	011 01110	011100 1100	011100 0011
D15.3	011 01111	010111 0011	101000 1100
D16.3	011 10000	011011 0011	100100 1100
D17.3	011 10001	100011 1100	100011 0011
D18.3	011 10010	010011 1100	010011 0011

Table A-1: Valid Data Characters (Cont'd)

Data Byte Name	Bits HGF EDCBA	Current RD – abcdei fghj	Current RD + abcdei fghj
D19.3	011 10011	110010 1100	110010 0011
D20.3	011 10100	001011 1100	001011 0011
D21.3	011 10101	101010 1100	101010 0011
D22.3	011 10110	011010 1100	011010 0011
D23.3	011 10111	111010 0011	000101 1100
D24.3	011 11000	110011 0011	001100 1100
D25.3	011 11001	100110 1100	100110 0011
D26.3	011 11010	010110 1100	010110 0011
D27.3	011 11011	110110 0011	001001 1100
D28.3	011 11100	001110 1100	001110 0011
D29.3	011 11101	101110 0011	010001 1100
D30.3	011 11110	011110 0011	100001 1100
D31.3	011 11111	101011 0011	010100 1100
D0.4	100 00000	100111 0010	011000 1101
D1.4	100 00001	011101 0010	100010 1101
D2.4	100 00010	101101 0010	010010 1101
D3.4	100 00011	110001 1101	110001 0010
D4.4	100 00100	110101 0010	001010 1101
D5.4	100 00101	101001 1101	101001 0010
D6.4	100 00110	011001 1101	011001 0010
D7.4	100 00111	111000 1101	000111 0010
D8.4	100 01000	111001 0010	000110 1101
D9.4	100 01001	100101 1101	100101 0010
D10.4	100 01010	010101 1101	010101 0010
D11.4	100 01011	110100 1101	110100 0010
D12.4	100 01100	001101 1101	001101 0010
D13.4	100 01101	101100 1101	101100 0010
D14.4	100 01110	011100 1101	011100 0010
D15.4	100 01111	010111 0010	101000 1101
D16.4	100 10000	011011 0010	100100 1101
D17.4	100 10001	100011 1101	100011 0010
D18.4	100 10010	010011 1101	010011 0010

Table A-1: Valid Data Characters (Cont'd)

Data Byte Name	Bits HGF EDCBA	Current RD – abcdei fghj	Current RD + abcdei fghj
D19.4	100 10011	110010 1101	110010 0010
D20.4	100 10100	001011 1101	001011 0010
D21.4	100 10101	101010 1101	101010 0010
D22.4	100 10110	011010 1101	011010 0010
D23.4	100 10111	111010 0010	000101 1101
D24.4	100 11000	110011 0010	001100 1101
D25.4	100 11001	100110 1101	100110 0010
D26.4	100 11010	010110 1101	010110 0010
D27.4	100 11011	110110 0010	001001 1101
D28.4	100 11100	001110 1101	001110 0010
D29.4	100 11101	101110 0010	010001 1101
D30.4	100 11110	011110 0010	100001 1101
D31.4	100 11111	101011 0010	010100 1101
D0.5	101 00000	100111 1010	011000 1010
D1.5	101 00001	011101 1010	100010 1010
D2.5	101 00010	101101 1010	010010 1010
D3.5	101 00011	110001 1010	110001 1010
D4.5	101 00100	110101 1010	001010 1010
D5.5	101 00101	101001 1010	101001 1010
D6.5	101 00110	011001 1010	011001 1010
D7.5	101 00111	111000 1010	000111 1010
D8.5	101 01000	111001 1010	000110 1010
D9.5	101 01001	100101 1010	100101 1010
D10.5	101 01010	010101 1010	010101 1010
D11.5	101 01011	110100 1010	110100 1010
D12.5	101 01100	001101 1010	001101 1010
D13.5	101 01101	101100 1010	101100 1010
D14.5	101 01110	011100 1010	011100 1010
D15.5	101 01111	010111 1010	101000 1010
D16.5	101 10000	011011 1010	100100 1010
D17.5	101 10001	100011 1010	100011 1010
D18.5	101 10010	010011 1010	010011 1010

Table A-1: Valid Data Characters (Cont'd)

Data Byte Name	Bits HGF EDCBA	Current RD – abcdei fghj	Current RD + abcdei fghj
D19.5	101 10011	110010 1010	110010 1010
D20.5	101 10100	001011 1010	001011 1010
D21.5	101 10101	101010 1010	101010 1010
D22.5	101 10110	011010 1010	011010 1010
D23.5	101 10111	111010 1010	000101 1010
D24.5	101 11000	110011 1010	001100 1010
D25.5	101 11001	100110 1010	100110 1010
D26.5	101 11010	010110 1010	010110 1010
D27.5	101 11011	110110 1010	001001 1010
D28.5	101 11100	001110 1010	001110 1010
D29.5	101 11101	101110 1010	010001 1010
D30.5	101 11110	011110 1010	100001 1010
D31.5	101 11111	101011 1010	010100 1010
D0.6	110 00000	100111 0110	011000 0110
D1.6	110 00001	011101 0110	100010 0110
D2.6	110 00010	101101 0110	010010 0110
D3.6	110 00011	110001 0110	110001 0110
D4.6	110 00100	110101 0110	001010 0110
D5.6	110 00101	101001 0110	101001 0110
D6.6	110 00110	011001 0110	011001 0110
D7.6	110 00111	111000 0110	000111 0110
D8.6	110 01000	111001 0110	000110 0110
D9.6	110 01001	100101 0110	100101 0110
D10.6	110 01010	010101 0110	010101 0110
D11.6	110 01011	110100 0110	110100 0110
D12.6	110 01100	001101 0110	001101 0110
D13.6	110 01101	101100 0110	101100 0110
D14.6	110 01110	011100 0110	011100 0110
D15.6	110 01111	010111 0110	101000 0110
D16.6	110 10000	011011 0110	100100 0110
D17.6	110 10001	100011 0110	100011 0110
D18.6	110 10010	010011 0110	010011 0110

Table A-1: Valid Data Characters (Cont'd)

Data Byte Name	Bits HGF EDCBA	Current RD – abcdei fghj	Current RD + abcdei fghj
D19.6	110 10011	110010 0110	110010 0110
D20.6	110 10100	001011 0110	001011 0110
D21.6	110 10101	101010 0110	101010 0110
D22.6	110 10110	011010 0110	011010 0110
D23.6	110 10111	111010 0110	000101 0110
D24.6	110 11000	110011 0110	001100 0110
D25.6	110 11001	100110 0110	100110 0110
D26.6	110 11010	010110 0110	010110 0110
D27.6	110 11011	110110 0110	001001 0110
D28.6	110 11100	001110 0110	001110 0110
D29.6	110 11101	101110 0110	010001 0110
D30.6	110 11110	011110 0110	100001 0110
D31.6	110 11111	101011 0110	010100 0110
D0.7	111 00000	100111 0001	011000 1110
D1.7	111 00001	011101 0001	100010 1110
D2.7	111 00010	101101 0001	010010 1110
D3.7	111 00011	110001 1110	110001 0001
D4.7	111 00100	110101 0001	001010 1110
D5.7	111 00101	101001 1110	101001 0001
D6.7	111 00110	011001 1110	011001 0001
D7.7	111 00111	111000 1110	000111 0001
D8.7	111 01000	111001 0001	000110 1110
D9.7	111 01001	100101 1110	100101 0001
D10.7	111 01010	010101 1110	010101 0001
D11.7	111 01011	110100 1110	110100 1000
D12.7	111 01100	001101 1110	001101 0001
D13.7	111 01101	101100 1110	101100 1000
D14.7	111 01110	011100 1110	011100 1000
D15.7	111 01111	010111 0001	101000 1110
D16.7	111 10000	011011 0001	100100 1110
D17.7	111 10001	100011 0111	100011 0001
D18.7	111 10010	010011 0111	010011 0001

Table A-1: Valid Data Characters (Cont'd)

Data Byte Name	Bits HGF EDCBA	Current RD – abcdei fghj	Current RD + abcdei fghj
D19.7	111 10011	110010 1110	110010 0001
D20.7	111 10100	001011 0111	001011 0001
D21.7	111 10101	101010 1110	101010 0001
D22.7	111 10110	011010 1110	011010 0001
D23.7	111 10111	111010 0001	000101 1110
D24.7	111 11000	110011 0001	001100 1110
D25.7	111 11001	100110 1110	100110 0001
D26.7	111 11010	010110 1110	010110 0001
D27.7	111 11011	110110 0001	001001 1110
D28.7	111 11100	001110 1110	001110 0001
D29.7	111 11101	101110 0001	010001 1110
D30.7	111 11110	011110 0001	100001 1110
D31.7	111 11111	101011 0001	010100 1110

Table A-2: Valid K (Control) Characters

Special Code Name	Bits HGF EDCBA	Current RD – abcdei fghj	Current RD + abcdei fghj
K23.7	111 10111	111010 1000	000101 0111
K27.7	111 11011	110110 1000	001001 0111
K28.0	000 11100	001111 0100	110000 1011
K28.2	010 11100	001111 0101	110000 1010
K28.3	011 11100	001111 0011	110000 1100
K28.4	100 11100	001111 0010	110000 1101
K28.5	101 11100	001111 1010	110000 0101
K28.6	110 11100	001111 0110	110000 1001
K29.7	111 11101	101110 1000	010001 0111
K30.7	111 11110	011110 1000	100001 0111

Aurora 8B/10B Serial Simplex Operation

B.1 Overview

This appendix provides an addendum to the Aurora 8B/10B protocol that specifies the use of the protocol in *Aurora 8B/10B serial simplex⁽¹⁾ operation*, or *simplex operation*. Except where indicated otherwise in this appendix, simplex operation is wholly defined by the *Aurora 8B/10B Protocol Specification*.

Simplex operation preserves all of the Aurora 8B/10B protocol features for channel initialization, data transmission, flow control, and error handling across a single unidirectional channel, called the Aurora 8B/10B simplex channel. An Aurora 8B/10B simplex channel comprises one or more serial lanes carrying data from the transmit partner to the receive partner, as shown in [Figure B-1](#). Channel PDUs and user flow control (UFC) PDUs are transferred across the Aurora 8B/10B simplex channel.

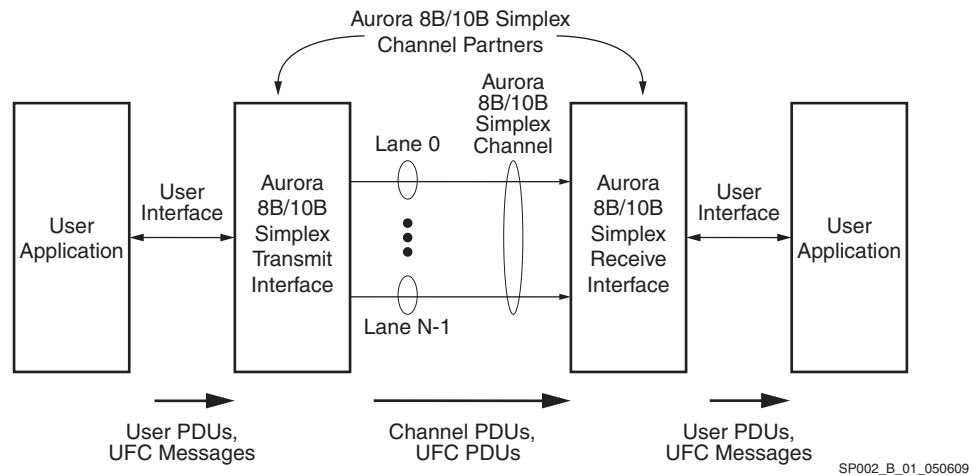


Figure B-1: Aurora 8B/10B Simplex Channel Overview

1. Simplex is used in the technical sense, defined as communication across a channel in a single direction. Full-duplex Aurora 8B/10B is used in this appendix to differentiate between Aurora 8B/10B and Aurora 8B/10B Simplex.

B.2 Data Transmission and Reception

The transmit user interface passes user PDUs and user flow control messages to the Aurora 8B/10B transmit interface for encapsulation and transmission across the Aurora 8B/10B simplex channel, as defined by the *Aurora 8B/10B Protocol Specification*. At the Aurora 8B/10B receive interface, the channel PDUs and user flow control PDUs are passed to the receiving user application as user PDUs and user flow control messages.

The rules governing data transmission from the transmit partner and reception at the receive partner are completely defined in [Section 2, “Data Transmission and Reception”](#) with the exception of the transmission of native flow control PDUs. Native flow control PDUs have no relevance when transferred across the Aurora 8B/10B simplex channel.

B.3 Flow Control

User flow control messages can be sent from the transmit partner to the receive partner, as defined in [Section 3.1 “Overview,”](#) [Section 3.1.4 “User Flow Control Operation,”](#) and [Section 3.1.5 “User Flow Control PDU Format”](#) of the *Aurora 8B/10B Protocol Specification*. The transmission of user flow control PDUs from the receive partner to the transmit partner is not specified by the Aurora 8B/10B serial simplex definition.

B.4 Initialization and Error Handling

Lane initialization, channel bonding for multi-lane channels, and lane verification are performed between the Aurora 8B/10B simplex channel partners using a modification of the procedures specified in [Section 4, “Initialization and Error Handling.”](#) These modified procedures are illustrated in [Figures B-2 through B-8](#), which show initialization state machines for the transmit and receive partners. The state machines include new inputs and outputs to support simplex operation.

B.5 Serial Simplex vs. Full-Duplex Operation

This section details the differences between Aurora 8B/10B simplex operation and Aurora 8B/10B full-duplex operation. Refer to the [State Diagram Conventions, page 9](#) for [Figures B-2](#) through [B-8](#) in the following sections.

B.5.1 Transmit Interface Lane initialization

Each lane, whether in Aurora 8B/10B full-duplex operation or in simplex operation, first undergoes lane initialization. However, simplex operation requires different state machines than full-duplex operation in the transmit and receive interfaces. [Table B-1](#) shows the inputs and outputs that are necessary for simplex operation. These signals are shown in uppercase in the state diagrams that follow.

Table B-1: Signals for Simplex Operation

Signal	Direction	Description
TX_ALIGNED	Input	Transmit Lane Initialization state machine input. Moves the transmit interface past the alignment procedure.
RX_ALIGNED	Output	Receive Lane Initialization output. Asserted when alignment is reached at the receiver.
TX_BONDED	Input	Transmit Channel Bonding state machine input. Moves the transmit interface past the channel bonding procedure.
RX_BONDED	Output	Receive Channel Bonding state machine output. Asserted when channel bonding condition is met.
TX_VERIFIED	Input	Transmit Channel Verification state machine input. Moves the transmit interface past the channel verification procedure.
RX_VERIFIED	Output	Receive Channel Verification state machine output. Asserted when the channel verification criteria are met.
TX_RESET	Input	Transmit Lane Initialization, Channel Bonding, and Channel Verification Procedures state machine input. Returns transmit interface to TXRESET0.
RX_RESET	Output	Receive Lane Initialization, Channel Bonding, Channel Verification, and Hard Error Procedures state machine input. Asserted when an error condition occurs causing the receive interface to return to RXRESET0.

Figure B-2 shows the state diagram for the lane initialization procedure of the transmit interface. If the RESET input is asserted at any point in the initialization procedure, then the state of the transmit interface must return to TXRESET0, as indicated in Figure B-2.

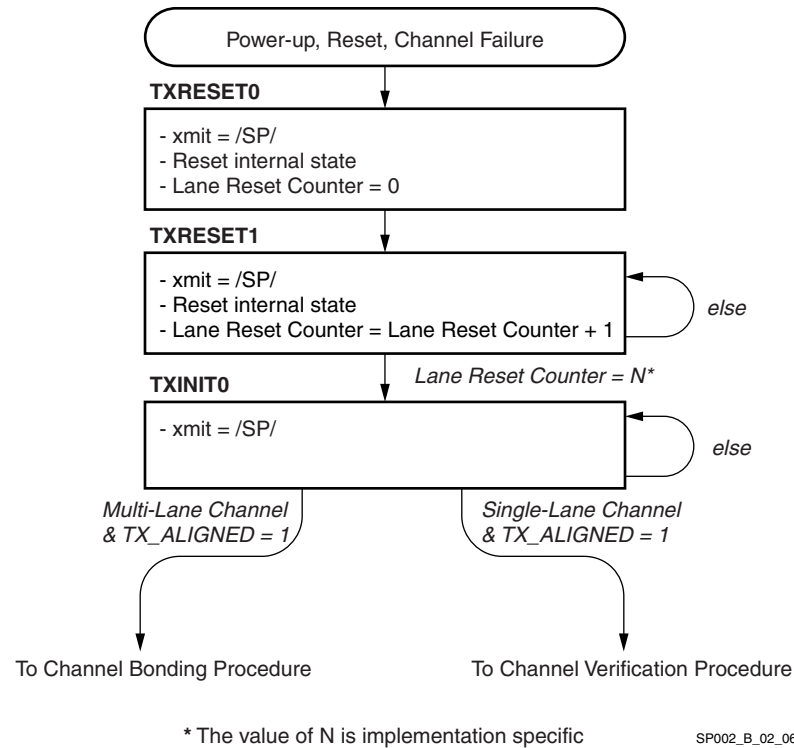
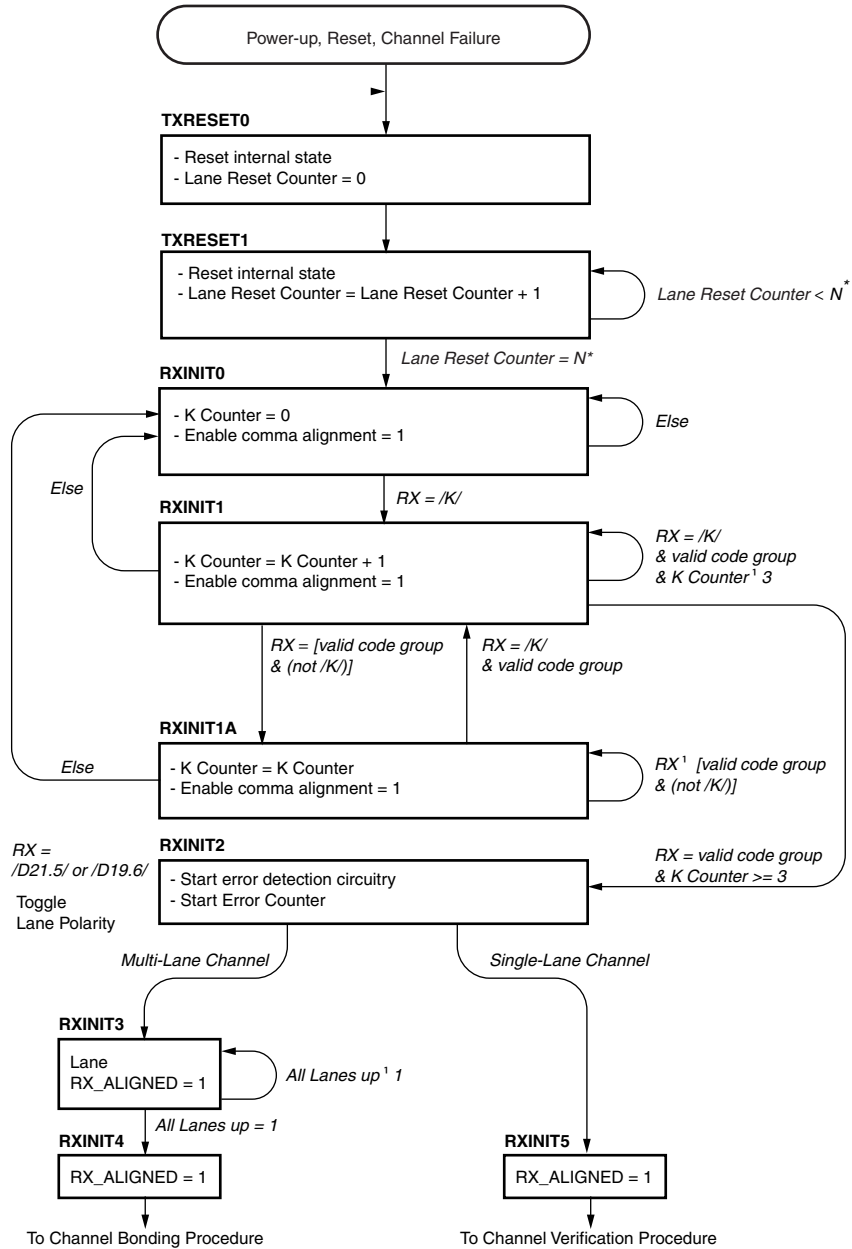


Figure B-2: Transmit Interface Lane Initialization Procedure

B.5.2 Receive Interface Lane Initialization

Figure B-3 shows the state diagram for the lane initialization procedure of the transmit interface.

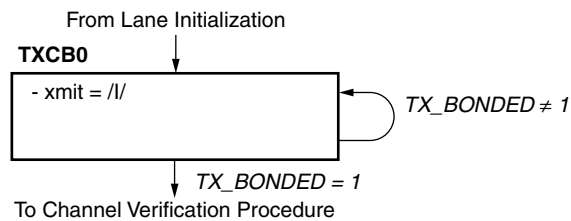


* The value of N is implementation specific

Figure B-3: Receive Interface Lane Initialization

B.5.3 Transmit Interface Channel Bonding Procedure

Figure B-4 shows the transmit interface procedure for channel bonding.

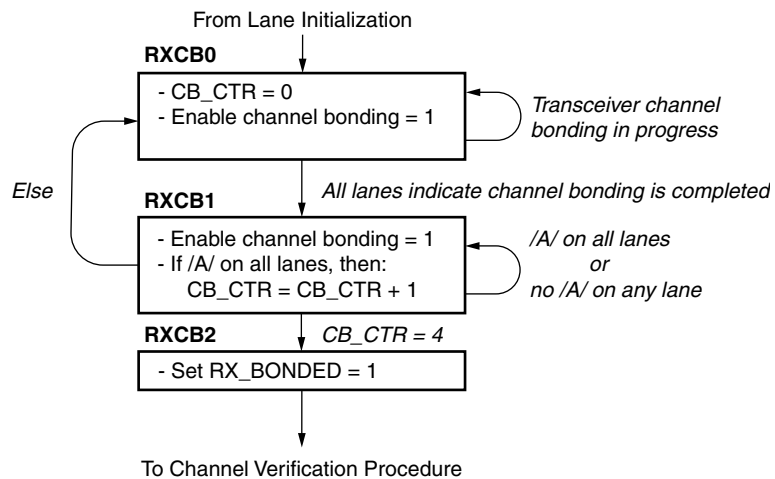


SP002_B_04_061704

Figure B-4: Transmit Interface Channel Bonding Procedure

B.5.4 Receive Interface Channel Bonding Procedure

Figure B-5 shows the state diagram for the receive interface channel bonding procedure.

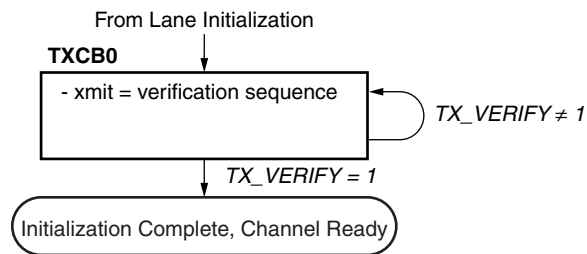


SP002_B_05_061704

Figure B-5: Receive Interface Channel Bonding Procedure

B.5.5 Transmit Interface Channel Verification Procedure

Figure B-6 shows the transmit interface procedure for channel verification.

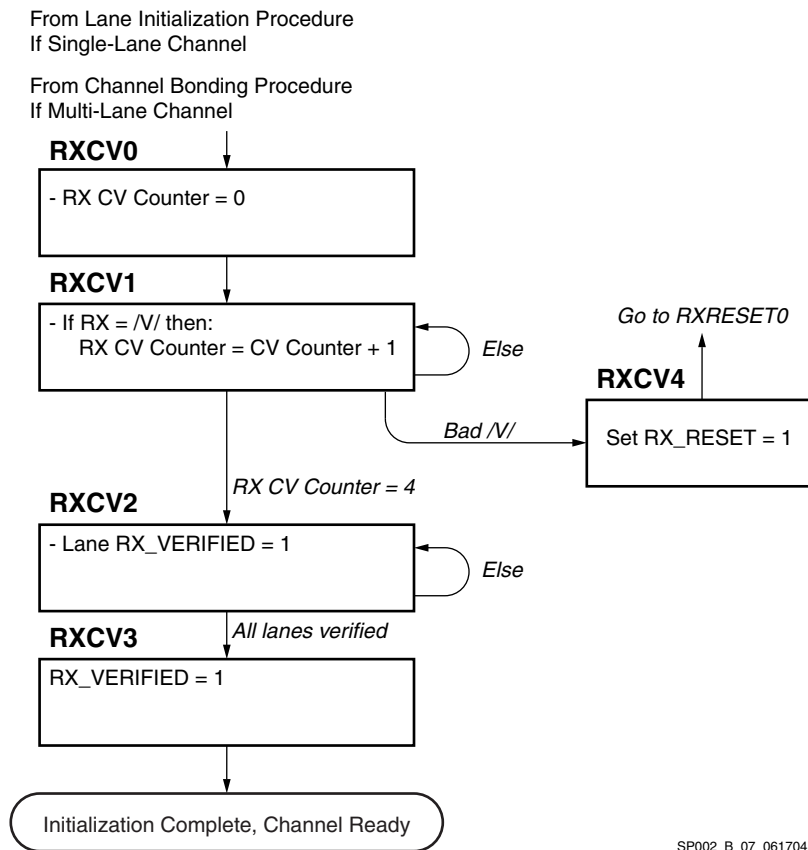


SP002_B_06_061704

Figure B-6: Transmit Interface Channel Verification Procedure

B.5.6 Receive Interface Channel Verification Procedure

Figure B-7 shows the receive interface procedure for channel verification.

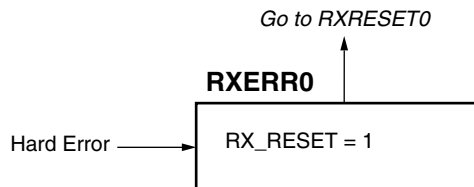


SP002_B_07_061704

Figure B-7: Receive Interface Channel Verification Procedure

B.5.7 Receive Interface Hard Error Procedure

If a hard error is encountered in the receiver at any point during the initialization or data transmission procedures, then the RX_RESET output is asserted at the receive interface, and the receiver returns to the reset state RXRESET0. Figure B-8 shows the receive interface hard error procedure.



SP002_B_08_061704

Figure B-8: Receiver Interface Hard Error Procedure

B.5.8 Use Models for Aurora 8B/10B Serial Simplex

Two use models are envisaged for Aurora 8B/10B serial simplex.

The first use model includes a user-defined back channel that conveys the receive interface status, as represented by the receive interface outputs defined in this appendix, back to the transmit interface. The details of the back channel implementation is highly application specific and is outside of the scope of this specification.

The second use-model does not include a back channel. In this second case, the control of the additional inputs to the receive interface as defined in this appendix is user-defined. The interface designer must ensure that this control guarantees the Aurora 8B/10B simplex channel operation during normal operation.

References

1. IEEE Std 802.3
2. *BYTE ORIENTED DC BALANCED (0,4) 8B/10B PARTITIONED BLOCK TRANSMISSION CODE* (Patent Number: 4,486,739). Inventors: Peter A. Franaszek and Albert X. Widmer (IBM)

Glossary

Click on a letter, or scroll down to view the entire glossary.

A B C D E F G H I J K L M N O P Q R S T U V W X Y Z

A

Aurora 8B/10B Interface

An implementation of the Aurora 8B/10B protocol.

B

C

Channel

The communication link between two Aurora 8B/10B interfaces, comprising one or more lanes.

Character

A 9-bit entity comprised of an information octet and a control bit that indicates whether the information octet contains data or control information. The control bit has the value *D* or *K* indicating that the information octet contains data or control information respectively.

Clock Compensation

A compensating mechanism provided by the Aurora 8B/10B protocol for clock rate differences between the transmitter and receiver.

Clock Encoding

A method used to transmit a clock in band with data.

Code group

A 10-bit entity that is the result of 8B/10B encoding a character. A *code group* is also called a *symbol*.

Column

A group of characters that are transmitted simultaneously on a multi-lane channel.

Comma

A seven-bit encoded 8B/10B sequence that is either 1100000 or 0011111 which is used for alignment. The seven-bits are the most significant bits of a 10-bit code group. A comma is contained in the 8B/10B symbol designated as /K28.5/.

Control Character

A character whose control bit has the value *K*.

Current Mode Logic

Current Mode Logic (CML) is a differential logic operation using devices that are commonly grounded through a current source.

D

Data Character

A character whose control bit has the value *D*.

Data Striping

This describes how data is mapped across a channel consisting of multiple lanes.

Destriping

The opposite of striping; reverse of striping.

Deterministic Jitter

Deterministic jitter (DJ) is a jitter with a non-Gaussian probability density function. Deterministic jitter is always bounded in amplitude and has specific causes. If a sufficient amount of data is taken over a complete cycle of each periodic element, the total amount of DJ will remain constant.

Disparity

The difference between the number of ones and zeros in a symbol.

Disparity Error

A received code group whose value is inconsistent with the current running disparity.

E

F

G

H

I

Idle Sequence

The sequence of characters (code groups after encoding) that is transmitted when a PDU is not being transmitted. The idle sequence allows the receiver to maintain bit synchronization and code group alignment.

J

K

K Character

A character whose control bit has the value *K*. Also referred to as a special character.

L

Lane

A full duplex physical serial connection.

Lane Alignment

The process of eliminating the skew between the lanes of a multi-lane Aurora 8B/10B channel such that the characters transmitted as a column by the sender are output as a column by the alignment process of the receiver. Without lane alignment, the characters transmitted as a column might be scattered across several columns output by the receiver. During initialization, all lanes continuously transmit columns of the idle sequence. The alignment process in the receiver uses the /A/ ordered sets to realign the columns of received data.

Link Layer

This describes how the beginning and end of user protocol data units (user PDUs) are marked during transmission. It also describes how data pauses may be inserted in data during transmission and how differences in clock rates between the transmitter and receiver are managed. Equivalent to the OSI Link Layer.

Link Layer Flow Control

A mechanism for throttling the flow of user PDU in the link layer.

Link Layer Payload

The resulting data structure after padding.

M

N

Not-in-table Error

A received code group that does not exist in the 8B/10B table. Same as a *symbol error*.

O

Octet

An 8-bit unit of information. Each bit of a octet has the value 0 or 1.

P

PCS

See Physical Coding Sublayer.

Physical Coding Sublayer (PCS)

The physical coding sublayer (PCS) function is responsible for idle sequence generation, lane striping, and encoding for transmission. It is also responsible for decoding, lane alignment, and destriping upon reception. The PCS uses an 8B/10B encoding for transmission over the channel. The PCS layer also provides mechanisms to detect lane states. It provides for clock difference tolerance between the sender and receiver without requiring flow control.

Physical Layer Interface

This consists of the electrical levels, the clock encoding, and symbol coding.

Physical Medium Attachment (PMA)

The physical medium attachment (PMA) function is responsible for serializing 10-bit parallel code groups to/from a serial bitstream on a lane-by-lane basis.

PMA

See Physical Medium Attachment.

Q

R

Running Disparity

The cumulative disparity of a sequence of symbols. The binary variable used by the 8B/10B encoding and decoding functions.

S

SNF

See Start of Native Flow control.

Start of Native Flow Control (SNF)

The /SNF/ ordered set is used in the protocol to mark the start of a native flow control PDU. A native flow control PDU is sent in response to a channel partner's request. A native flow control PDU is always comprised of exactly two symbols.

Start of User Flow Control (SUF)

The SUF ordered set is used in the protocol to mark the start of a user flow control PDU. A user flow control PDU is comprised of the /SUF/ ordered set plus a data symbol that defines the length of the PDU, followed by up to 16 symbols of user data.

Striping

Striping allocates byte-pairs across multiple lanes. The method used on multi-lane channels to send data simultaneously across all n lanes that make up the channel. The byte stream is striped across the lanes, on a byte-pair by byte-pair basis, starting with the first byte-pair on lane 0, to the second byte-pair on lane 1, to the third byte-pair on lane

2, to the nth byte-pair on lane n-1, and wrapping back with the nth+1 byte-pair on lane 0.

Stripping

The method to remove data from a PDU.

SUF

See Start of User Flow control.

Symbol

A 10-bit entity that is the result of 8B/10B encoding a character. A *symbol* is also called a *code group*.

Symbol Error

A received code group that does not exist in the 8B/10B table. Same as a *not-in-table error*.

Symbol Time

Equivalent to 10 unit times.

T

Total Jitter

The total deviation from the ideal timing of a clock or data signal as a result of noise, patterns, or other causes.

U

User Application

An implementation of a higher level function that transports data across an Aurora 8B/10B channel.

User Interface

An implementation-specific interface provided to the user application by an Aurora 8B/10B interface.

User PDUs

User protocol data units.

Unit Interval

The unit interval (UI) is the total time of one ideal clock cycle. For example, an Aurora 8B/10B channel operating at a data rate of 3.125 Gbps has a UI of 320 ps.

V

Valid Code Group

A received code group that when decoded has neither a *disparity* error nor a *not-in-table* error. A disparity error is defined as a received code group whose value is inconsistent with the current running disparity. A not-in-table error is defined as a received code group that does not exist in the 8B/10B table.

W

X

XON

A command that resumes transmission in a single direction used by native flow control

XOFF

A command that suspends transmission in a single direction used by native flow control

Y

Z

