

AXI4-Stream Protocol Checker v1.2

LogiCORE IP Product Guide

PG145 October 4, 2017

Table of Contents

IP Facts

Chapter 1: Overview

Applications	5
Licensing and Ordering	6

Chapter 2: Product Specification

Standards	7
Performance	7
Resource Utilization	7
Port Descriptions	8

Chapter 3: Designing with the Core

General Design Guidelines	11
Clocking	12
Resets	12

Chapter 4: Customizing and Generating the Core

Vivado Integrated Design Environment	13
Output Generation	15
Constraining the Core	15

Chapter 5: Simulation

Overview	16
----------------	----

Chapter 6: Synthesis and Implementation

Chapter 7: Example Design

Chapter 8: Test Bench

Appendix A: Upgrading

Migrating to the Vivado Design Suite	21
--	----

Upgrading in the Vivado Design Suite	21
--	----

Appendix B: Debugging

Finding Help on Xilinx.com	22
General Checks	23
Debug Tools	23
Clocks and Resets	24
Core Size and Optimization	24
Flags	24

Appendix C: Additional Resources

Xilinx Resources	26
Documentation Navigator and Design Hubs	26
References	26
Revision History	27
Please Read: Important Legal Notices	28

Introduction

The LogiCORE IP AXI4-Stream Protocol Checker core monitors AXI4-Stream interfaces for protocol violations and provides an indication of which violation occurred.

The checks are synthesizable versions of the System Verilog protocol assertions provided by ARM in the *AMBA 4 AXI4, AXI4-Lite, and AXI4-Stream Protocol Assertion User Guide* [Ref 2].

Features

- Supports checking for AXI4-Stream protocol.
- Supports interface widths:
 - TDATA width: 1 to 512 bytes
 - TUSER width: 0 to 4096 bits
 - TID width: 0 to 32 bits
 - TDEST width: 0 to 32 bits
- Supports optional signals:
 - TREADY
 - TSTRB
 - TLAST
 - TKEEP
- Programmable messaging levels for simulation operation.
- Instrumented to support Vivado Debug Nets and connections to Vivado Logic Analyzer monitoring.

LogiCORE IP Facts Table	
Core Specifics	
Supported Device Family ⁽¹⁾	UltraScale+™ Families, UltraScale™ Architecture, 7 Series
Supported User Interfaces	AXI4-Stream
Resources	See Table 2-1 .
Provided with Core	
Design Files	RTL
Example Design	Verilog
Test Bench	Verilog
Constraints File	Not Provided
Simulation Model	Verilog Source HDL
Supported S/W Driver	N/A
Tested Design Flows⁽²⁾	
Design Entry	Vivado Design Suite
Simulation	For support simulators, see the Xilinx Design Tools: Release Notes Guide .
Synthesis	Vivado Synthesis
Support	
Provided by Xilinx at the Xilinx Support web page	

Notes:

1. For a complete list of supported devices, see Vivado IP catalog.
2. For the supported versions of the tools, see the [Xilinx Design Tools: Release Notes Guide](#).

Overview

The AXI4-Stream Protocol Checker is used to debug interface signals in systems using the AXI4-Stream protocol. When placed in an AXI4-Stream system, the connection of the AXI4-Stream Protocol Checker monitors the traffic between the AXI4-Stream Master and AXI4-Stream Slave core.

The interface is checked against the rules outlined in the AXI Specification to determine if a violation has occurred [Ref 2]. These violations are reported in a simulation log file message and as a debug net in the Vivado Logic Analyzer. In addition, the violations appear on the status vector output port from the core, as shown in Figure 1-1.

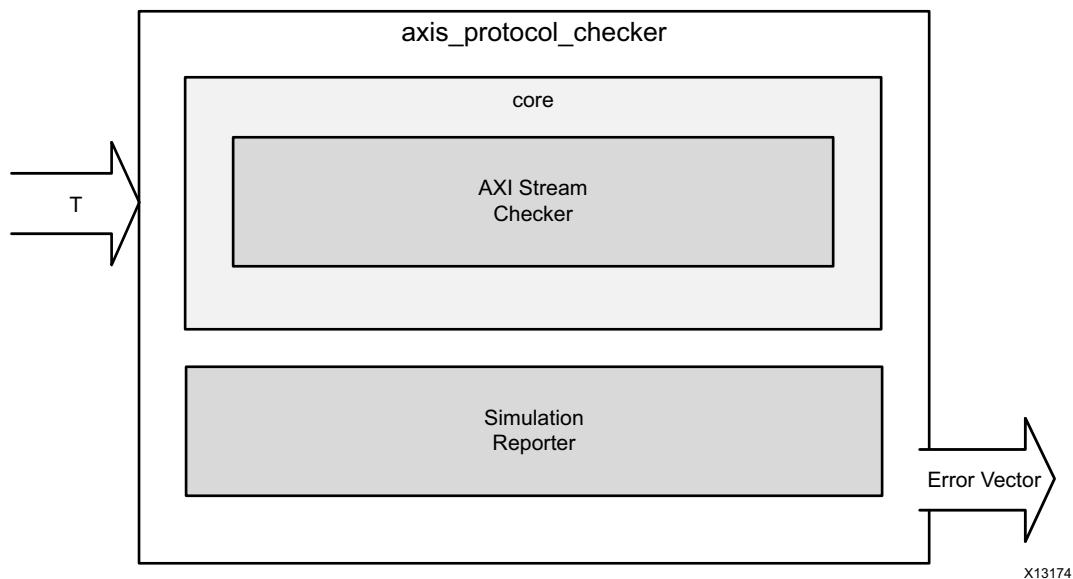


Figure 1-1: AXI4-Stream Protocol Checker

Applications

The AXI4-Stream Protocol Checker is typically used to ensure that traffic on a given AXI4-Stream connection complies with the AXI4-Stream protocol.

Licensing and Ordering

This Xilinx LogiCORE IP module is provided at no additional cost with the Xilinx Vivado Design Suite under the terms of the [Xilinx End User License](#).

Information about this and other Xilinx LogiCORE IP modules is available at the [Xilinx Intellectual Property](#) page. For information on pricing and availability of other Xilinx LogiCORE IP modules and tools, contact your [local Xilinx sales representative](#).

Product Specification

The AXI4-Stream Protocol Checker monitors the connection for AXI4-Stream protocol violations. The AXI4-Stream Protocol Checker is designed around the ARM System Verilog assertions that have been converted into synthesizable HDL. When a protocol violation occurs, the AXI4-Stream Protocol Checker asserts the corresponding bit on the `pc_status` output vector. The output vector bit mapping can be found in [Table 2-4](#).

Bits of the `pc_status` vector are synchronously set when a protocol violation occurs. Multiple bits can be triggered on the same or different cycles. When the bit within the `pc_status` vector has been set, it remains asserted until either the connection has been reset with `aresetn` or the core has been reset with `system_resetn`.

Standards

The AXI interfaces conform to the Advanced Microcontroller Bus Architecture (AMBA®) AXI version 4 specification from Advanced RISC Machine (ARM®), including the AXI4-Lite control register interface subset [\[Ref 2\]](#).

Performance

This section details the performance information for various core configurations.

Maximum Frequencies

The maximum frequency for largest configuration listed in [Table 2-1](#) is 225MHz.

Resource Utilization

The resources listed in [Table 2-1](#) have been estimated for the Virtex-7 XC7VX485T FPGA. These values were generated using the Vivado IP catalog. They were derived from post-synthesis reports, and might change during the implementation stages.

Note: UltraScale device resource utilization is expected to be similar to Virtex-7 device results.

Table 2-1: Virtex-7 Resource Utilization (XC7VX485T)

Range	HAS_TKEEP	HAS_TLAST	HAS_TREADY	HAS_TSTRB	MAXWAITS	TDATA BYTES	TDEST_WIDTH	TID_WIDTH	TUSER_WIDTH	LUTs	FFs
Largest	1	1	1	1	128	512	32	32	1024	0	14362
-	1	1	1	1	16	16	4	0	16	0	467
-	1	1	1	0	32	8	4	0	0	0	212
-	1	1	1	0	32	8	4	0	0	0	212
Smallest	0	0	0	0	0	0	0	0	1	0	22

Port Descriptions

Table 2-2 lists the common interface signals. Table 2-3 lists the AXI4-Stream ports.



IMPORTANT: Due to the flexible nature of the AXI4-Stream protocol definition, all ports except *ACLK*, *ARESETn* and *TVALID* are optional ports.

Table 2-2: Protocol Independent Ports

Signal Name	Direction	Default	Width	Description
aclk	Input	Required	1	Interface clock input
aresetn	Input	Required	1	Interface reset input (active-Low)
aclken	Input	1	1	Interface clock enable input (active-High)
system_resetn	Input	Optional	1	System reset (active-Low). This signal can be enabled through the configuration Vivado IDE.
pc_status	Output		12	Active-High vector of protocol violations or warnings.
pc_asserted	Output		1	Active-High signal is asserted when any bit of the pc_status vector is asserted.

Table 2-3: AXI4-Stream Protocol Ports

Signal Name	Direction	Default	Width	Description
pc_axis_tlast	Input	1'b1	1	Stream Channel Last Data Beat
pc_axis_tdata	Input		DATA_WIDTH	Stream Channel Data
pc_axis_tstrb	Input	All Ones	DATA_WIDTH/8	Stream Channel Byte Strobes
pc_axis_tkeep	Input	All Ones	DATA_WIDTH/8	Stream Channel Byte Keeps
pc_axis_tuser	Input		USER_WIDTH	Stream Channel user-defined signal
pc_axis_tvalid	Input	Required	1	Stream Channel Valid

Table 2-3: AXI4-Stream Protocol Ports (Cont'd)

Signal Name	Direction	Default	Width	Description
pc_axis_tready	Input	1'b1	1	Stream Channel Ready
pc_axis_tid	Input		ID_WIDTH	Stream Channel Transaction ID
pc_axis_tdest	Input		DEST_WIDTH	Stream Channel Transaction DEST

Protocol Checks and Descriptions

The AXI4-Stream Protocol checks and descriptions listed in Table 2-4 are the same as the assertions that are found in the ARM AXI Assertions [Ref 2] with minor differences.

Table 2-4 details the bits contained in the pc_status vector.

Table 2-4: Checks and Descriptions

Name of Protocol Check	Bit	Description
AXI4STREAM_ERRM_TVALID_RESET	0	TVALID is Low for the first cycle after aresetn goes High. This assertion is not available when the system_resetn port is not enabled.
AXI4STREAM_ERRM_TID_STABLE	1	TID remains stable when TVALID is asserted, and TREADY is Low. This assertion is only valid if both TREADY and TID are enabled on the interface.
AXI4STREAM_ERRM_TDEST_STABLE	2	TDEST remains stable when TVALID is asserted, and TREADY is Low. This assertion is only valid if both TREADY and TDEST are enabled on the interface.
AXI4STREAM_ERRM_TKEEP_STABLE	3	TKEEP remains stable when TVALID is asserted, and TREADY is Low. This assertion is only valid if TDATA, TREADY and TKEEP are enabled on the interface.
AXI4STREAM_ERRM_TDATA_STABLE	4	TDATA remains stable when TVALID is asserted, and TREADY is Low. This assertion is only valid if both TREADY and TDATA are enabled on the interface.
AXI4STREAM_ERRM_TLAST_STABLE	5	TLAST remains stable when TVALID is asserted, and TREADY is Low. This assertion is only valid if both TREADY and TLAST are enabled on the interface.
AXI4STREAM_ERRM_TSTRB_STABLE	6	TSTRB remains stable when TVALID is asserted, and TREADY is Low. This assertion is only valid if TDATA, TREADY and TSTRB are enabled on the interface.
AXI4STREAM_ERRM_TVALID_STABLE	7	When TVALID is asserted, it must remain asserted until TREADY is High. This assertion is only valid if TREADY is enabled on the interface.
AXI4STREAM_RECS_TREADY_MAX_WAIT	8	It is recommended that TREADY is asserted within MAXWAITS cycles of TVALID being asserted. This assertion is only valid if TREADY is enabled on the interface.
AXI4STREAM_ERRM_TUSER_STABLE	9	TUSER remains stable when TVALID is asserted, and TREADY is Low. This assertion is only valid if both TREADY and TUSER are enabled on the interface.

Table 2-4: Checks and Descriptions (Cont'd)

Name of Protocol Check	Bit	Description
AXI4STREAM_ERRM_TKEEP_TSTRB	10	If TKEEP is de-asserted, then TSTRB must also be de-asserted. This assertion is only valid if TDATA, TSTRB and TKEEP are enabled on the interface.
XILINX_ARESETN_PULSE_WIDTH	11	ARESETn must be low for at least 16 ACLKn cycles.

Designing with the Core

This chapter includes guidelines and additional information to facilitate designing with the core.

General Design Guidelines

The AXI4-Stream Protocol Checker should be inserted into a system as shown in [Figure 3-1](#).

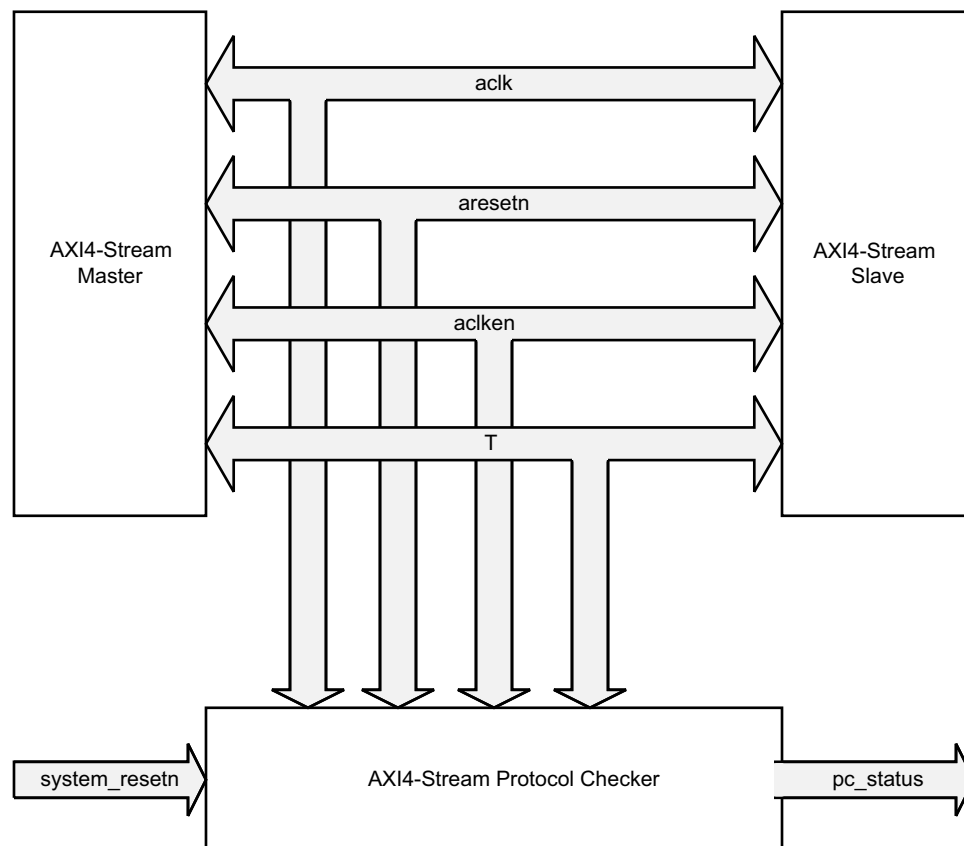


Figure 3-1: AXI4-Stream Connections

It is typically easier to find protocol violations during simulation. In simulation, it is possible to instantiate protocol checkers on all AXI4-Stream interfaces.



TIP: *It is highly recommended to debug a system in simulation rather than in hardware. However, when debugging in hardware, a processor can be used to monitor the `pc_status` port by connecting the signals to an AXI GPIO core.*

Clocking

The same `ac1k` that is connected to both the AXI4-Stream Master and AXI4-Stream Slave should also be connected to the AXI4-Stream Protocol Checker.

Resets

At a minimum, the AXI4-Stream Protocol Checker requires the `aresetn` signal. A `system_resetn` can be configured to clear the `pc_status` vector without resetting the AXI4-Stream interface. Both reset inputs are synchronous to `ac1k`. The assertion of either reset clears the `pc_status` vector.



TIP: *Xilinx recommends asserting `aresetn` for a minimum of 16 clock cycles.*

If `system_resetn` is enabled, the AXI4-Stream Protocol Checker can check the AXI4-Stream Protocol specification that defines the state of the interface following the de-assertion of `aresetn`. This check Protocol violation notifications related to the required behavior of the interface with respect to `aresetn` are cleared using `system_resetn`. When a system reset is not available, `system_resetn` should be disabled. When this is done, the `AXI4STREAM_ERRM_TVALID_RESET` check is not possible.

Customizing and Generating the Core

This chapter includes information about using Xilinx tools to customize and generate the core in the Vivado™ Design Suite environment.

Vivado Integrated Design Environment

You can customize the IP for use in your design by specifying values for the various parameters associated with the IP core using the following steps:

1. Select the IP from the IP catalog.
2. Double-click the selected IP or select the Customize IP command from the toolbar or popup menu.

For details, see the sections, “Working with IP” and “Customizing IP for the Design” in the *Vivado Design Suite User Guide: Designing with IP* (UG896) [Ref 5] and the “Working with the Vivado IDE” section in the *Vivado Design Suite User Guide: Getting Started* (UG910) [Ref 6].

Note: Figures in this chapter are illustrations of the Vivado Integrated Design Environment (IDE). This layout might vary from the current version.

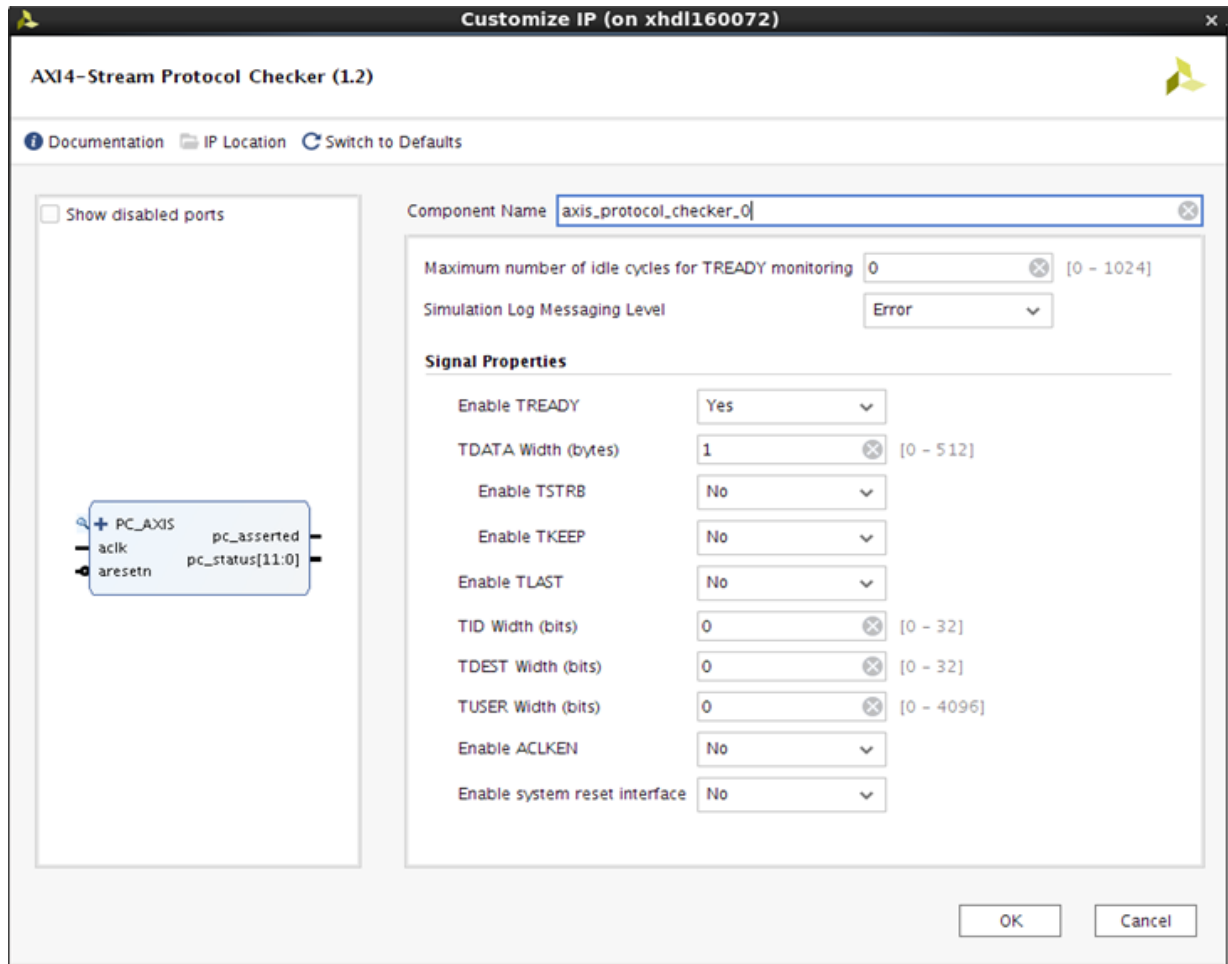


Figure 4-1: Vivado IP Catalog IDE

Modify the parameters to meet the requirements of the larger project into which the core is integrated. The following subsections detail the options.

Global Parameters

- **Component Name:** The base name of the output files generated for the core. Names must begin with a letter and can be composed of any of the following characters: a to z, 0 to 9, and "_".



IMPORTANT: When using IP Integrator, the Vivado IDE automatically computes the value of the parameters in this section. Automated parameter values are typically passed from AXI4-Stream master to AXI4-Stream slave

- **TDATA Width:** Specifies the width of the TDATA data path and its companion signals if enabled to be monitored by the protocol checker. If set to 0, the signal is omitted.
- **TID Width:** Specifies the width of the TID signal (if any) to be monitored by the protocol checker. If set to 0, the signal is omitted.

- **TDEST Width:** Specifies the width of the TDEST signal (if any) to be monitored by the protocol checker. If set to 0, the signal is omitted.
- **TUSER Width:** Specifies the width of the TUSER signal (if any) to be monitored by the protocol checker. If set to 0, the signal is omitted.
- **TREADY Enabled:** When checked, the TREADY signal is monitored by the protocol checker. If unchecked, the signal is omitted.
- **TSTRB Enabled:** When checked, the TSTRB signal is monitored by the protocol checker. If unchecked, the signal is omitted. This box is not available when the TDATA width is 0.
- **TKEEP Enabled:** When checked, the TKEEP signal is monitored by the protocol checker. If unchecked, the signal is omitted. This box is not available when the TDATA width is 0.
- **TLAST Enabled:** When checked, the TLAST signal will be monitored by the protocol checker. If unchecked the signal is omitted.

Parameter Checker Options

- **Maximum number of idle cycles for TREADY monitoring:** Specifies the maximum number of cycles between the assertion of TVALID to the assertion of TREADY before an ERROR is generated. When the value is set to 0, this check is disabled.
- **Simulation Log Messaging Level:** When a violation is triggered this parameter allows the core to indicate to the simulation log file different error levels or to disable all messaging entirely. It is also possible via this parameter, to stop or finish the simulation upon a protocol violation occurrence.
- **Enable system reset interface:** Enables the system_resetrn port. When disabled the port is tied High.

Output Generation

For details, see “Generating IP Output Products” in the *Vivado Design Suite User Guide: Designing with IP* (UG896) [Ref 5].

Constraining the Core

There are no required constraints for this core.

Simulation

This chapter contains information about simulating in the Vivado® Design Suite environment. For details, see the “Simulating IP” section in the *Vivado Design Suite User Guide: Logic Simulation* (UG900) [Ref 8].

Overview

When simulating, the AXI4-Stream Protocol Checker can be configured to print display messages as follows:

```
<time>ns : <instance_path> : BIT( <bit_number> ) : <log_level> : <violation_message>
```

The fields shown are defined as:

- **instance_path:** The simulation hierarchy of the protocol checker instance that is issuing the message.
- **bit_number:** Indicates which bit in the `pc_status` vector is asserted. This bit can be used to look up the violation in [Table 2-4](#).
- **log_level:** Messaging-level text that can be one of the following values: INFO, WARNING, or ERROR with the ability to stop or finish the simulation. This value is set via the configuration Vivado IDE.
- **violation_message:** Descriptive message indicating the name of the violation (for example, AXI4STREAM_ERRM_TVALID_RESET) and violation. In most cases, the location of the full violation description in the AXI specification is included. The violation message name can be used to look up the violation in [Table 2-4](#).

For example:

```
73717.00ns : tb.top.AXI4STREAM_0.REP : BIT(0) : ERROR :  
AXI4STREAM_ERRM_TVALID_RESET. TVALID must be low for the first clock edge that  
ARESETn goes high. Spec: section 2.7.2, and figure 2-4 on page 2-11.
```

The core provides a debugging capability for simulation. Based on the messaging-level configuration, the AXI4-Stream Protocol Checker can either, continue, finish, or stop the simulation at the point of detecting the violation.

Synthesis and Implementation

This chapter contains information about synthesis and implementation in the Vivado® Design Suite environment.

For details about synthesis and implementation, see “Synthesizing IP” and “Implementing IP” in the *Vivado Design Suite User Guide: Designing with IP* (UG896) [\[Ref 5\]](#).

Example Design

This chapter contains information about the provided example design in the Vivado® Design Suite environment.

The example design demonstrates basic core functionality for the customized IP core. The example design is an independent Vivado Design Suite project populated with the customized IP along with additional IPs including example master(s), example slave(s), clocking and reset blocks. A synthesizable top-level HDL file is provided that instantiates and wires together the IPs, as shown in [Figure 7-1](#). If the parent Vivado Design Suite project is configured for a Xilinx supported board, the physical board constraints are also provided. A simulation-only demonstration test bench for the example design is also provided and detailed in [Chapter 8, Test Bench](#).



IMPORTANT: *The example design does not exhaustively demonstrate all the features of the IP. It is not a verification test bench.*

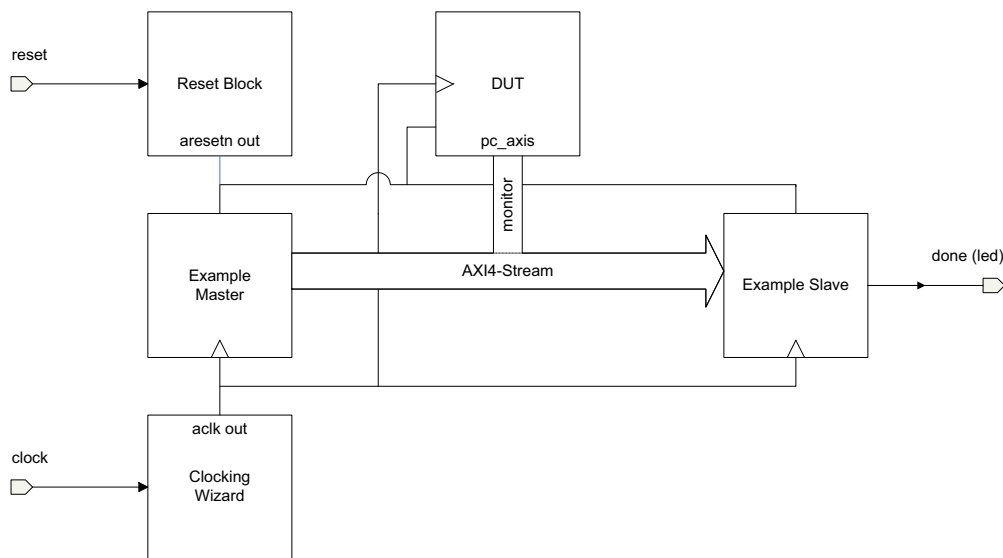


Figure 7-1: Example Design Block Diagram

The example design demonstrates basic functionality by instantiating a synthesizable AXI4-Stream master which sends transfers to an AXI4-Stream slave. After a fixed number of transfers, the master completes and asserts the done output. The slave receives the transfers and performs a meaningless operation on the payload to emulate data processing. After all transfers are received by the slave, the idle output is asserted. The master and slave will not violate AXI4-Stream protocol, and therefore no error statuses will be asserted.

When the master done output and the slave idle output are both asserted, the done output pin is asserted. If this project is configured for a Xilinx reference board, the done signal will be tied to an LED output.

The example design includes a Clocking Wizard IP core to interface with an external differential clock input and to provide a clock output to easily meet timing closure. If the project is configured for a Xilinx reference board, the Clocking Wizard core will be configured to specify the differential clock input constraints for the board.

The example design also includes a reset block IP to interface with an external reset input and to provide a de-bounced active-Low system reset. If the project is configured for a Xilinx reference board, the Proc Sys Reset IP will be configured to specify the reset input constraint for the board.

Test Bench

This chapter contains information about the provided test bench in the Vivado® Design Suite environment.

The example design generates a behavioral Verilog test bench that wraps around the top level of the example design. The test bench includes clocking and reset stimuli to the example design to run simulations. It monitors the done output to signal simulation completion. The test bench is useful for learning the signaling on the core by observing the simulation waveforms. The test bench will work with all simulation outputs from behavioral RTL through post-implementation timing.

In the example design, the simulation sources file-set includes the test bench. To run the test bench, select **Run Simulation** in the Vivado Flow Navigator. After the simulation is open, issue the "run all" command to run the simulation to completion. The following code shows an example successful completion of the test bench simulation.

```
1937.60ns: exdes_tb: Starting testbench
2017.60ns: exdes_tb: Asserting reset for 16 cycles
2097.60ns: exdes_tb: Reset complete
68480.00ns: exdes_tb: SIMULATION PASSED
68480.00ns: exdes_tb: Test Completed Successfully
```

For more information with running the simulation test bench, the *Vivado Design Suite User Guide: Logic Simulation* (UG900) [Ref 8].

Upgrading

This appendix contains information about migrating a design from ISE® to the Vivado® Design Suite, and for upgrading to a more recent version of the IP core. For customers upgrading in the Vivado Design Suite, important details (where applicable) about any port changes and other impact to user logic are included.

Migrating to the Vivado Design Suite

For information about migrating to the Vivado Design Suite, see *the ISE to Vivado Design Suite Migration Guide* (UG911) [\[Ref 7\]](#).

Upgrading in the Vivado Design Suite

This section provides information about any changes to the user logic or port designations that take place when you upgrade to a more current version of this IP core in the Vivado Design Suite.

Parameter Changes

There were no parameter changes in this version.

Port Changes

There were no port changes in this version.

Debugging

This appendix includes details about resources available on the Xilinx Support website and debugging tools.

Finding Help on Xilinx.com

To help in the design and debug process when using the AXI4-Stream Protocol Checker, the [Xilinx Support web page](#) (Xilinx Support web page) contains key resources such as product documentation, release notes, answer records, information about known issues, and links for obtaining further product support.

Documentation

This product guide is the main document associated with the AXI4-Stream Protocol Checker. This guide, along with documentation related to all products that aid in the design process, can be found on the Xilinx Support web page or by using the Xilinx Documentation Navigator.

Download the Xilinx Documentation Navigator from the [Downloads page](#). For more information about this tool and the features available, open the online help after installation.

Technical Support

Xilinx provides technical support in the Xilinx Support web page for this LogiCORE™ IP product when used as described in the product documentation. Xilinx cannot guarantee timing, functionality, or support if you do any of the following:

- Implement the solution in devices that are not defined in the documentation.
- Customize the solution beyond that allowed in the product documentation.
- Change any section of the design labeled DO NOT MODIFY.

To contact Xilinx Technical Support, navigate to the [Xilinx Support web page](#).

Note: Access to WebCase is not available in all cases. Login to the WebCase tool to see your specific support options.

Answer Records

Answer Records include information about commonly encountered problems, helpful information on how to resolve these problems, and any known issues with a Xilinx product. Answer Records are created and maintained daily ensuring that users have access to the most accurate information available.

Answer Records for this core can also be located by using the Search Support box on the main [Xilinx support web page](#). To maximize your search results, use proper keywords such as:

- Product name
- Tool message(s)
- Summary of the issue encountered

A filter search is available after results are returned to further target the results.

Master Answer Record for the AXI4-Stream Protocol Checker

AR: [54424](#)

General Checks

The AXI4-Stream Protocol Checker design limits the types of problems one may encounter when using the core. In the case where the interface is not fully specified, the system designer must ensure that any unused inputs to the AXI4-Stream Protocol Checker have been correctly tied off based on the AXI4-Stream Protocol. See [Table 2-3](#) for the correct tie-off values.

Debug Tools

Vivado Design Suite Debug Feature

Vivado® lab tools insert logic analyzer and virtual I/O cores directly into your design. Vivado lab tools allows you to set trigger conditions to capture application and integrated block port signals in hardware. Captured signals can then be analyzed. This feature represents the functionality in the Vivado IDE that is used for logic debugging and validation of a design running in Xilinx devices in hardware.

The AXI4-Stream Protocol Checker core supports probing using the Vivado ILA 2.0 core and the Vivado Logic Analyzer. All of the protocol checks named in [Table 2-4](#) are available as

Unassigned Debug Nets in the synthesized design. See *Vivado Design Suite Tutorial: Programming and Debugging* (UG936) [Ref 4].

It is also possible to monitor all or one bit of the `pc_status` vector via any method of the designer's choosing.

Clocks and Resets

To resolve clocking and reset issues, verify these items:

- Check that `ac1k` is connected to the same clock that is driving both the Master and Slave interfaces.
- Check that `aresetn` is connected to the same reset that is driving both the Master and Slave interfaces.
- Check that `ac1ken` is connected to the same reset that is driving both the Master and Slave interfaces.
- Ensure that both `aresetn` and `system_resetn` (if enabled) are connected to active-Low polarity.
- Ensure that `aresetn` is both synchronously asserted and released on `ac1k`.

Core Size and Optimization

In some cases the size of the core can become very large. The following tips can reduce the size of the core:

- Set the maximum number of idle cycles for READY monitoring to 0. This disables a recommended `*VALID` to `*READY` wait checks.
- Each bit of the `pc_status` vector consumes some amount of resources; therefore, fewer bits observed reduces the overall foot print of the design.

Flags

- **No Flags Asserted:** One simple test to check to see if the AXI4-Stream Protocol Checker is correctly connected to the interface is to not connect the `pc_axis_tready` input into the protocol checker and to tie that port to 0. This causes multiple bits in the `pc_status` vector to be asserted when AXI4-Stream traffic begins because this will

violate all the AXI4STREAM_ERRM_T*_STABLE protocol checks (bits [1:7] and 9). See [Table 2-4](#) for the descriptions of these checks.

- **Flags Asserted:** If there are bits asserted in the pc_status vector and the source/reason of the violation using [Table 2-4](#) is not clear, move the AXI4-Stream Protocol Checker "upstream" toward the AXI4-Stream Master generating the transactions.

Additional Resources

Xilinx Resources

For support resources such as Answers, Documentation, Downloads, and Forums, see [Xilinx Support](#).

Documentation Navigator and Design Hubs

Xilinx® Documentation Navigator provides access to Xilinx documents, videos, and support resources, which you can filter and search to find information. To open the Xilinx Documentation Navigator (DocNav):

- From the Vivado® IDE, select **Help > Documentation and Tutorials**.
- On Windows, select **Start > All Programs > Xilinx Design Tools > DocNav**.
- At the Linux command prompt, enter `docnav`.

Xilinx Design Hubs provide links to documentation organized by design tasks and other topics, which you can use to learn key concepts and address frequently asked questions. To access the Design Hubs:

- In the Xilinx Documentation Navigator, click the **Design Hubs View** tab.
- On the Xilinx website, see the [Design Hubs](#) page.

Note: For more information on Documentation Navigator, see the [Documentation Navigator](#) page on the Xilinx website.

References

These documents provide supplemental material useful with this product guide:

1. [AMBA AXI4-Stream Protocol Specification](#)
2. [AMBA 4 AXI4, AXI4-Lite, and AXI4-Stream Protocol Assertion User Guide](#)

3. *Xilinx AXI Reference Guide* ([UG761](#))
4. *Vivado Design Suite Tutorial: Programming and Debugging* ([UG936](#))
5. *Vivado Design Suite User Guide: Designing with IP* ([UG896](#))
6. *Vivado Design Suite User Guide: Getting Started* ([UG910](#))
7. *ISE to Vivado Design Suite Migration Methodology Guide* ([UG911](#))
8. *Vivado Design Suite User Guide: Logic Simulation* ([UG900](#))

Revision History

The following table shows the revision history for this document.

Date	Version	Revision
10/04/2017	1.2	Added ARESETn for reset pulse width.
11/18/2015	1.1	Added support for UltraScale+ families.
12/18/2013	1.1	<ul style="list-style-type: none">• Added support for UltraScale™ architecture.
10/02/2013	1.1	<ul style="list-style-type: none">• Changed all signals and ports to lowercase.• Added Example Design and Test Bench chapters.• Added Migration and Upgrading appendix.• Added support for IP Integrator.
03/20/2013	1.0	Initial Xilinx release.

Please Read: Important Legal Notices

The information disclosed to you hereunder (the "Materials") is provided solely for the selection and use of Xilinx products. To the maximum extent permitted by applicable law: (1) Materials are made available "AS IS" and with all faults, Xilinx hereby DISCLAIMS ALL WARRANTIES AND CONDITIONS, EXPRESS, IMPLIED, OR STATUTORY, INCLUDING BUT NOT LIMITED TO WARRANTIES OF MERCHANTABILITY, NON-INFRINGEMENT, OR FITNESS FOR ANY PARTICULAR PURPOSE; and (2) Xilinx shall not be liable (whether in contract or tort, including negligence, or under any other theory of liability) for any loss or damage of any kind or nature related to, arising under, or in connection with, the Materials (including your use of the Materials), including for any direct, indirect, special, incidental, or consequential loss or damage (including loss of data, profits, goodwill, or any type of loss or damage suffered as a result of any action brought by a third party) even if such damage or loss was reasonably foreseeable or Xilinx had been advised of the possibility of the same. Xilinx assumes no obligation to correct any errors contained in the Materials or to notify you of updates to the Materials or to product specifications. You may not reproduce, modify, distribute, or publicly display the Materials without prior written consent. Certain products are subject to the terms and conditions of Xilinx's limited warranty, please refer to Xilinx's Terms of Sale which can be viewed at <https://www.xilinx.com/legal.htm#tos>; IP cores may be subject to warranty and support terms contained in a license issued to you by Xilinx. Xilinx products are not designed or intended to be fail-safe or for use in any application requiring fail-safe performance; you assume sole risk and liability for use of Xilinx products in such critical applications, please refer to Xilinx's Terms of Sale which can be viewed at <https://www.xilinx.com/legal.htm#tos>.

AUTOMOTIVE APPLICATIONS DISCLAIMER

AUTOMOTIVE PRODUCTS (IDENTIFIED AS "XA" IN THE PART NUMBER) ARE NOT WARRANTED FOR USE IN THE DEPLOYMENT OF AIRBAGS OR FOR USE IN APPLICATIONS THAT AFFECT CONTROL OF A VEHICLE ("SAFETY APPLICATION") UNLESS THERE IS A SAFETY CONCEPT OR REDUNDANCY FEATURE CONSISTENT WITH THE ISO 26262 AUTOMOTIVE SAFETY STANDARD ("SAFETY DESIGN"). CUSTOMER SHALL, PRIOR TO USING OR DISTRIBUTING ANY SYSTEMS THAT INCORPORATE PRODUCTS, THOROUGHLY TEST SUCH SYSTEMS FOR SAFETY PURPOSES. USE OF PRODUCTS IN A SAFETY APPLICATION WITHOUT A SAFETY DESIGN IS FULLY AT THE RISK OF CUSTOMER, SUBJECT ONLY TO APPLICABLE LAWS AND REGULATIONS GOVERNING LIMITATIONS ON PRODUCT LIABILITY.

This document contains preliminary information and is subject to change without notice. Information provided herein relates to products and/or services not yet available for sale, and provided solely for information purposes and are not intended, or to be construed, as an offer for sale or an attempted commercialization of the products and/or services referred to herein.

© Copyright 2013-2017 Xilinx, Inc. Xilinx, the Xilinx logo, Artix, ISE, Kintex, Spartan, Virtex, Vivado, Zynq, and other designated brands included herein are trademarks of Xilinx in the United States and other countries. All other trademarks are the property of their respective owners.