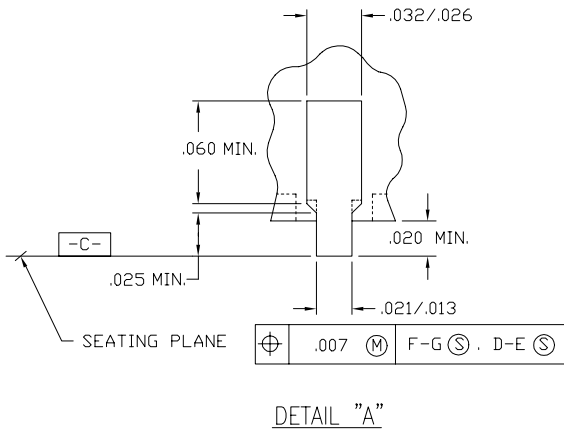
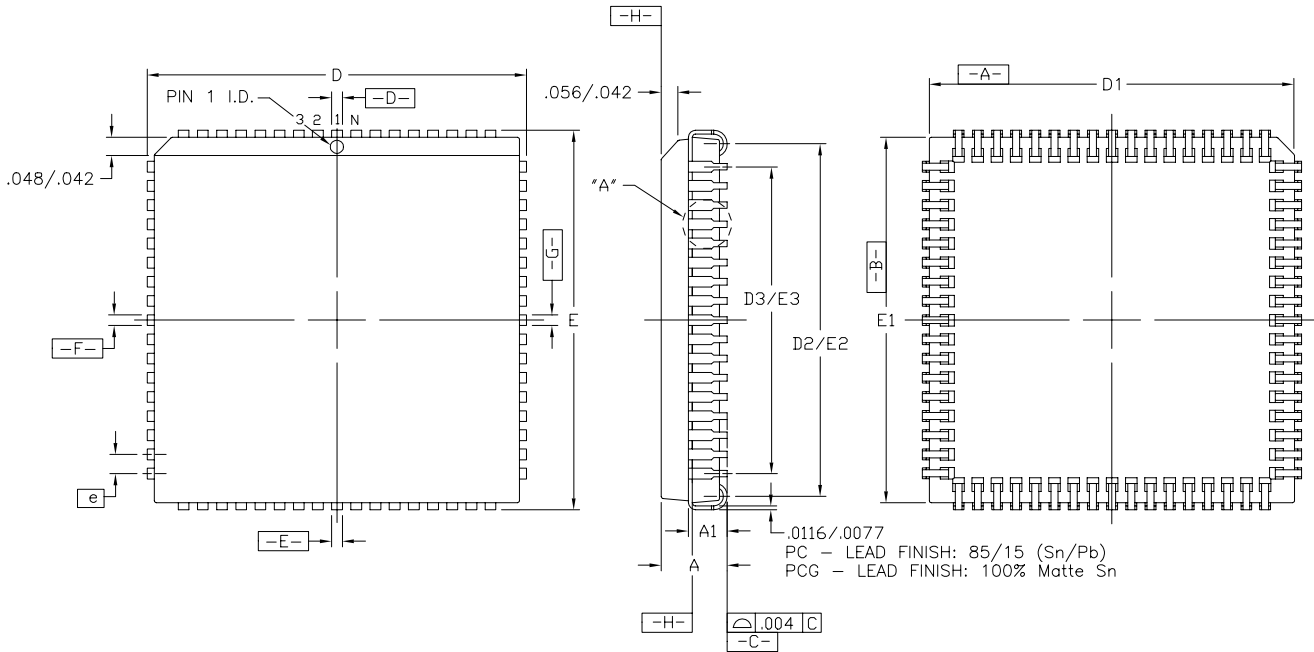


TOP VIEW

BOTTOM VIEW



SYMBOL	INCHES									
	MIN.	MAX.	MIN.	MAX.	MIN.	MAX.	MIN.	MAX.	MIN.	MAX.
A	.165	.180	.165	.180	.165	.180	.165	.200	.165	.200
A ₁	.090	.120	.099	.110	.090	.120	.090	.130	.090	.130
D/E	.385	.395	.485	.495	.685	.695	.985	.995	1.185	1.195
D ₁ /E ₁	.350	.356	.450	.456	.650	.656	.950	.958	1.150	1.158
D ₂ /E ₂	.290	.330	.390	.430	.590	.630	.890	.930	1.090	1.130
D ₃ /E ₃	.200 REF.		.300 REF.		.500 REF.		.800 REF.		1.000 REF.	
e	.050 BSC		.050 BSC		.050 BSC		.050 BSC		.050 BSC	
N	20		28		44		68		84	

NOTES:

1. ALL DIMENSIONS AND TOLERANCES CONFORM TO ANSI Y14.5M-1982.
2. DIMENSIONS 'D1' AND 'E1' DO NOT INCLUDE MOLD FLASH OR PROTRUSIONS. MOLD FLASH OR PROTRUSIONS SHALL NOT EXCEED .010 PER SIDE.
3. 'N' IS NUMBER OF TERMINALS.
4. CONFORM TO JEDEC MO-047
5. TOP OF PACKAGE MAY BE SMALLER THAN BOTTOM BY .010".

20, 28, 44, 68 and 84-PIN PLCC
 PC20/PCG20, PC28/PCG28, PC44/PCG44, PC68/PCG68, PC84/PCG84