

# Spartan-6 FPGA Power Management

## *User Guide*

UG394 (v1.3) January 21, 2016



### Notice of Disclaimer

The information disclosed to you hereunder (the "Materials") is provided solely for the selection and use of Xilinx products. To the maximum extent permitted by applicable law: (1) Materials are made available "AS IS" and with all faults, Xilinx hereby DISCLAIMS ALL WARRANTIES AND CONDITIONS, EXPRESS, IMPLIED, OR STATUTORY, INCLUDING BUT NOT LIMITED TO WARRANTIES OF MERCHANTABILITY, NON-INFRINGEMENT, OR FITNESS FOR ANY PARTICULAR PURPOSE; and (2) Xilinx shall not be liable (whether in contract or tort, including negligence, or under any other theory of liability) for any loss or damage of any kind or nature related to, arising under, or in connection with, the Materials (including your use of the Materials), including for any direct, indirect, special, incidental, or consequential loss or damage (including loss of data, profits, goodwill, or any type of loss or damage suffered as a result of any action brought by a third party) even if such damage or loss was reasonably foreseeable or Xilinx had been advised of the possibility of the same. Xilinx assumes no obligation to correct any errors contained in the Materials or to notify you of updates to the Materials or to product specifications. You may not reproduce, modify, distribute, or publicly display the Materials without prior written consent. Certain products are subject to the terms and conditions of Xilinx's limited warranty, please refer to Xilinx's Terms of Sale which can be viewed at [www.xilinx.com/legal.htm#tos](http://www.xilinx.com/legal.htm#tos); IP cores may be subject to warranty and support terms contained in a license issued to you by Xilinx. Xilinx products are not designed or intended to be fail-safe or for use in any application requiring fail-safe performance; you assume sole risk and liability for use of Xilinx products in such critical applications, please refer to Xilinx's Terms of Sale which can be viewed at [www.xilinx.com/legal.htm#tos](http://www.xilinx.com/legal.htm#tos).

© Copyright 2010–2016 Xilinx, Inc. Xilinx, the Xilinx logo, Artix, ISE, Kintex, Spartan, Virtex, Vivado, Zynq, and other designated brands included herein are trademarks of Xilinx in the United States and other countries. All other trademarks are the property of their respective owners.

## Revision History

The following table shows the revision history for this document.

| Date       | Version | Revision   |
|------------|---------|--|
| 05/18/2010 | 1.0     | Initial Xilinx release.  |
| 09/04/2012 | 1.1     | <ul style="list-style-type: none"><li>Updated <a href="#">Additional Documentation</a> section.</li><li>In <a href="#">Chapter 1</a>, deleted first and last paragraphs from <a href="#">Differential I/O Standards</a>. Eliminated statements pertaining to differential drivers and receivers disabled in suspend mode. Reinforced the directive that the SUSPEND pin must be tied to GND when the suspend feature is disabled by adding "or High" to second paragraph of <a href="#">SUSPEND Pin</a>. Changed "X" to "0" in first row of <a href="#">Table 1-5</a>. Changed the AWAKE output pin power supply to V<sub>CCO</sub> power rail on bank 1 in third paragraph of <a href="#">AWAKE Pin Behavior when Suspend Feature is Enabled</a>. Added "for Recommended Operating Conditions" to data sheet power levels referenced in <a href="#">FPGA Voltage Requirements During Suspend Mode</a>.</li><li>In <a href="#">Chapter 2</a>, changed "used" to "being programmed" in description section, last row, of <a href="#">Table 2-1</a>. Added V<sub>CCAUX</sub> setting restriction paragraphs to <a href="#">VCCAUX</a>. Removed "±5%" specification from first paragraph in <a href="#">VCCAUX Specifications</a> and third paragraph of <a href="#">VCCO</a>.</li><li>In <a href="#">Chapter 3</a>, removed "approximately one speed grade slower (~15%)" from first paragraph in <a href="#">Introduction</a>. Added a UG382 reference to <a href="#">Designing Using the Lower-Power Spartan-6 LX Devices</a>. Added V<sub>CCAUX</sub> and IODELAY2 specification paragraphs to <a href="#">Lower-Power Spartan-6 LX Device Specifications</a>.</li><li>In <a href="#">Chapter 5</a>, removed "50%" specification from second paragraph in <a href="#">Saving Power</a>. Also remove last sentence referencing techniques for past FPGA families from last paragraph in <a href="#">ISE Design Suite Power Optimization</a>.</li></ul> |
| 05/16/2014 | 1.2     | Added last sentence to note 6 under <a href="#">Exiting Suspend in Figure 1-2</a> . Added last sentence to second bullet under <a href="#">Exiting Suspend Mode</a> . Added "(or are already High)" to third paragraph, last sentence, under <a href="#">Exiting Suspend Mode</a> . Deleted edge detectors from <a href="#">Figure 1-3</a> . Added "High or a" to second paragraph, first sentence, under <a href="#">Define the Multi-Pin Wake-Up Feature and Pins</a> .  |

---

| Date       | Version | Revision   |
|------------|---------|--|
| 01/21/2016 | 1.3     | Clarified the last sentence under <a href="#">PROGRAM_B Programming Pin Always Overrides Suspend Mode in Chapter 1</a> . |



# Table of Contents

---

|   |    |
|---|----|
| Revision History .....  | 2  |
| <b>Preface: About This Guide</b>                                  |    |
| Guide Contents .....  | 7  |
| Additional Documentation .....                                    | 7  |
| Additional Support Resources .....                                | 8  |
| <b>Chapter 1: Power Management With Suspend Mode</b>              |    |
| Introduction .....  | 9  |
| Differences from Extended Spartan-3A Family .....                 | 9  |
| Multi-Pin Wake-up .....   | 9  |
| Suspend Synchronization .....                                     | 9  |
| Suspend Features .....  | 10 |
| Design Steps .....  | 10 |
| Entering Suspend Mode .....                                       | 10 |
| Exiting Suspend Mode .....  | 14 |
| PROGRAM_B Programming Pin Always Overrides Suspend Mode .....     | 16 |
| Enable the Suspend Feature and Glitch Filtering .....             | 16 |
| User Constraints File Enable .....                                | 16 |
| Bitstream Generator .....   | 16 |
| Define the Multi-Pin Wake-Up Feature and Pins .....               | 17 |
| Define the I/O Behavior During Suspend Mode .....                 | 17 |
| Single-Ended I/O Standards .....                                  | 17 |
| Differential I/O Standards .....                                  | 17 |
| SUSPEND Attribute .....   | 18 |
| UCF Example .....   | 18 |
| Design Maintained during Suspend Mode .....                       | 18 |
| Design Requirements to Maintain Application Data .....            | 19 |
| Suspend Mode Wake-Up Timing Controls .....                        | 19 |
| Wake-Up Timing Clock Source .....                                 | 19 |
| Switch Outputs from Suspend to Normal Behavior .....              | 21 |
| Release Write Protect on Clocked Primitives .....                 | 21 |
| Dedicated Configuration Pins Unaffected During Suspend Mode ..... | 21 |
| JTAG Operations Allowed During Suspend Mode .....                 | 21 |
| SUSPEND Pin .....   | 22 |
| Characteristics .....   | 22 |
| SUSPEND Input Glitch Filter .....                                 | 23 |
| SUSPEND_SYNC Primitive .....                                      | 23 |
| AWAKE Pin .....   | 23 |
| General Behavior (Suspend Feature Disabled) .....                 | 23 |
| AWAKE Pin Behavior when Suspend Feature is Enabled .....          | 23 |
| Controlling Wake-Up from an External Source .....                 | 24 |
| Synchronizing Wake-Up .....                                       | 24 |

|  |    |
|--|----|
| Post-Configuration CRC Limitations When Using Suspend Mode ..... | 24 |
| FPGA Voltage Requirements During Suspend Mode .....              | 26 |
| Memory Controller Block .....                                    | 26 |

## Chapter 2: Voltage Supplies

|   |    |
|---|----|
| Introduction .....  | 27 |
| VCCINT .....  | 28 |
| VCCAUX .....  | 28 |
| Setting the VCCAUX Level .....  | 29 |
| VCCAUX Specifications .....   | 29 |
| VCCO .....  | 29 |
| VREF .....  | 30 |
| Board Design and Signal Integrity .....                                 | 30 |
| Simultaneously Switching Outputs .....                                  | 30 |
| Power Distribution System Design and Decoupling/Bypass Capacitors ..... | 30 |

## Chapter 3: Lower-Power Spartan-6 LX Devices

|  |    |
|--|----|
| Introduction .....   | 31 |
| Designing Using the Lower-Power Spartan-6 LX Devices ..... | 31 |
| Lower-Power Spartan-6 LX Device Specifications .....       | 32 |

## Chapter 4: Power-On and Power-Down Behavior Including Hibernate

|  |    |
|--|----|
| Introduction .....                               | 33 |
| Power-On Reset .....                             | 33 |
| Supply Sequencing .....                          | 34 |
| Ramp Rate .....                                  | 34 |
| Hot Swap .....                                   | 34 |
| Configuration Data Retention and Brown Out ..... | 35 |
| GTP Transceiver Power-Up and Power-Down .....    | 35 |
| Hibernate Power Down .....                       | 35 |
| Forcing FPGA to Quiescent Current Levels .....   | 36 |
| Entering Hibernate State .....                   | 36 |
| Turn Off VCCO .....                              | 37 |
| Exiting Hibernate .....                          | 38 |
| Design Considerations .....                      | 38 |

## Chapter 5: Power Estimation

|   |    |
|---|----|
| Introduction .....                        | 39 |
| Voltage Regulators .....                  | 39 |
| Saving Power .....                        | 40 |
| Saving Clock Routing Power .....          | 41 |
| ISE Design Suite Power Optimization ..... | 41 |

## About This Guide

---

This document provides information on the various hardware methods of power management in Spartan-6 FPGAs, primarily focusing on the suspend mode. Other power management topics include the lower-power Spartan-6 LX devices (-1L) and the programmable  $V_{CCAUX}$  level available in all Spartan-6 devices. In addition, more detail is provided on the power rails, including hot swap and hibernate (power-off) options.

### Guide Contents

This user guide contains the following chapters:

- [Chapter 1, Power Management With Suspend Mode](#)
- [Chapter 2, Voltage Supplies](#)
- [Chapter 3, Lower-Power Spartan-6 LX Devices](#)
- [Chapter 4, Power-On and Power-Down Behavior Including Hibernate](#)
- [Chapter 5, Power Estimation](#)

### Additional Documentation

These documents are available for download at <http://www.xilinx.com/support/documentation/spartan-6.htm>.

- **Spartan-6 Family Overview**  
This overview outlines the features and product selection of the Spartan-6 family.
- **Spartan-6 FPGA Data Sheet: DC and Switching Characteristics**  
This data sheet contains the DC and switching characteristic specifications for the Spartan-6 family.
- **Spartan-6 FPGA Packaging and Pinout Specifications**  
This specification includes the tables for device/package combinations and maximum I/Os, pin definitions, pinout tables, pinout diagrams, mechanical drawings, and thermal specifications.
- **Spartan-6 FPGA Configuration User Guide**  
This all-encompassing configuration guide includes chapters on configuration interfaces (serial and parallel), multi-bitstream management, bitstream encryption, boundary-scan and JTAG configuration, and reconfiguration techniques.
- **Spartan-6 FPGA SelectIO Resources User Guide**  
This guide describes the SelectIO™ resources available in all Spartan-6 devices.

- **Spartan-6 FPGA Clocking Resources User Guide**  
This guide describes the clocking resources available in all Spartan-6 devices, including the DCMs and PLLs.
- **Spartan-6 FPGA Block RAM Resources User Guide**  
This guide describes the Spartan-6 device block RAM capabilities.
- **Spartan-6 FPGA Configurable Logic Blocks User Guide**  
This guide describes the capabilities of the configurable logic blocks (CLBs) available in all Spartan-6 devices.
- **Spartan-6 FPGA GTP Transceivers User Guide**  
This guide describes the GTP transceivers available in the Spartan-6 LXT FPGAs.
- **Spartan-6 FPGA DSP48A1 Slice User Guide**  
This guide describes the architecture of the DSP48A1 slice in Spartan-6 FPGAs and provides configuration examples.
- **Spartan-6 FPGA Memory Controller User Guide**  
This guide describes the Spartan-6 FPGA memory controller block, a dedicated embedded multi-port memory controller that greatly simplifies interfacing Spartan-6 FPGAs to the most popular memory standards.
- **Spartan-6 FPGA PCB Design and Pin Planning Guide**  
This guide provides information on PCB design for Spartan-6 devices, with a focus on strategies for making design decisions at the PCB and interface level.

These documents provide additional background:

- [WP298](#), *Power Consumption at 40 nm and 45 nm*, White Paper  
At 40 and 45 nm process nodes, power has become the primary factor for FPGA selection. Spartan-6 FPGAs offer lower power, simpler power systems and PCB complexity, better reliability, and lower system cost. This white paper details how Xilinx designed for this new reality in Spartan-6 (45 nm) and Virtex®-6 (40 nm) FPGA families, achieving dramatic power reductions over previous generation devices.
- [WP370](#), *Reducing Switching Power with Intelligent Clock Gating*, White Paper  
Xilinx delivers the first automated, fine-grain clock-gating solution that can reduce dynamic power by up to 30% for Spartan-6 FPGA designs.
- [WP396](#), *High-Volume Spartan-6 FPGAs: Performance and Power Leadership by Design*, White Paper  
This white paper describes how Spartan-6 FPGAs address the needs of high-volume systems. The ability to connect efficiently and inexpensively to commodity memories, high-performance chip-to-chip interface capability, and innovative power down modes are just a few of the problems solved by high-performance, low-power, and low-cost Spartan-6 FPGAs.

## Additional Support Resources

To search the database of silicon and software questions and answers or to create a technical support case in WebCase, see the Xilinx website at:

<http://www.xilinx.com/support>.



# *Power Management With Suspend Mode*

---

## Introduction

Some applications require the lowest possible system cost or highest performance, and other applications require the lowest possible standby power. Spartan®-6 FPGAs offer low-power options to balance these cost and performance trade-offs.

The Spartan-6 family offers the suspend mode, an advanced static power-management feature, which reduces FPGA power consumption while retaining the FPGA's configuration data and maintaining the design. The device can quickly enter and exit suspend mode as required in an application.

## Differences from Extended Spartan-3A Family

The suspend mode in Spartan-6 FPGAs is a superset of the suspend feature in the Extended Spartan-3A FPGAs. Two new enhancements include multi-pin wake-up and suspend synchronization.

### Multi-Pin Wake-up

The multi-pin wake-up feature allows the FPGA to monitor for a wake-up signal on up to eight pins. In the Extended Spartan-3A family, monitoring was limited to the SUSPEND pin itself. Multi-pin wake-up also allows a number of independent sources to trigger the FPGA to return to the normal application.

### Suspend Synchronization

The Spartan-6 FPGA primitive, `SUSPEND_SYNC`, enables the synchronization of the suspend action with the application design. In the Extended Spartan-3A family, the suspend mode activation begins immediately upon asserting the SUSPEND pin. The Spartan-6 FPGA `SUSPEND_SYNC` primitive allows the application design to acknowledge a suspend request, thereby allowing the application to finish necessary functions prior to entering the suspend mode.

## Suspend Features

The significant features and benefits of the suspend mode:

- Quickly and easily puts the FPGA into a static condition, eliminating most active current.
- Reduces quiescent current by 40% or more.
- Retains FPGA configuration data and the state of the FPGA application during suspend mode.
- Fast, programmable FPGA wake-up time from suspend mode.
- Individual control on each user-I/O pin to define pin behavior while in suspend mode.
- Activated externally by the system using a single dedicated control pin (SUSPEND).
- Indicates the present suspend mode status using the AWAKE pin.
- Awakens an FPGA in suspend mode using any of eight SUSPEND control pins (SCP).
- SUSPEND\_SYNC primitive to acknowledge a ready state prior to entering suspend mode.

## Design Steps

To use the suspend feature:

- [Enable the Suspend Feature and Glitch Filtering, page 16](#)
- [Define the Multi-Pin Wake-Up Feature and Pins, page 17](#)
- [Define the I/O Behavior During Suspend Mode, page 17](#)
- Implement steps to maintain application data during suspend mode (SUSPEND\_SYNC) (see [Design Requirements to Maintain Application Data, page 19](#))
- Define the [Suspend Mode Wake-Up Timing Controls, page 19](#)
- Define the [AWAKE Pin Behavior when Suspend Feature is Enabled, page 23](#)

## Entering Suspend Mode

[Figure 1-1](#) is a block diagram of the FPGA entering suspend mode. [Figure 1-2, page 12](#) shows example waveforms.

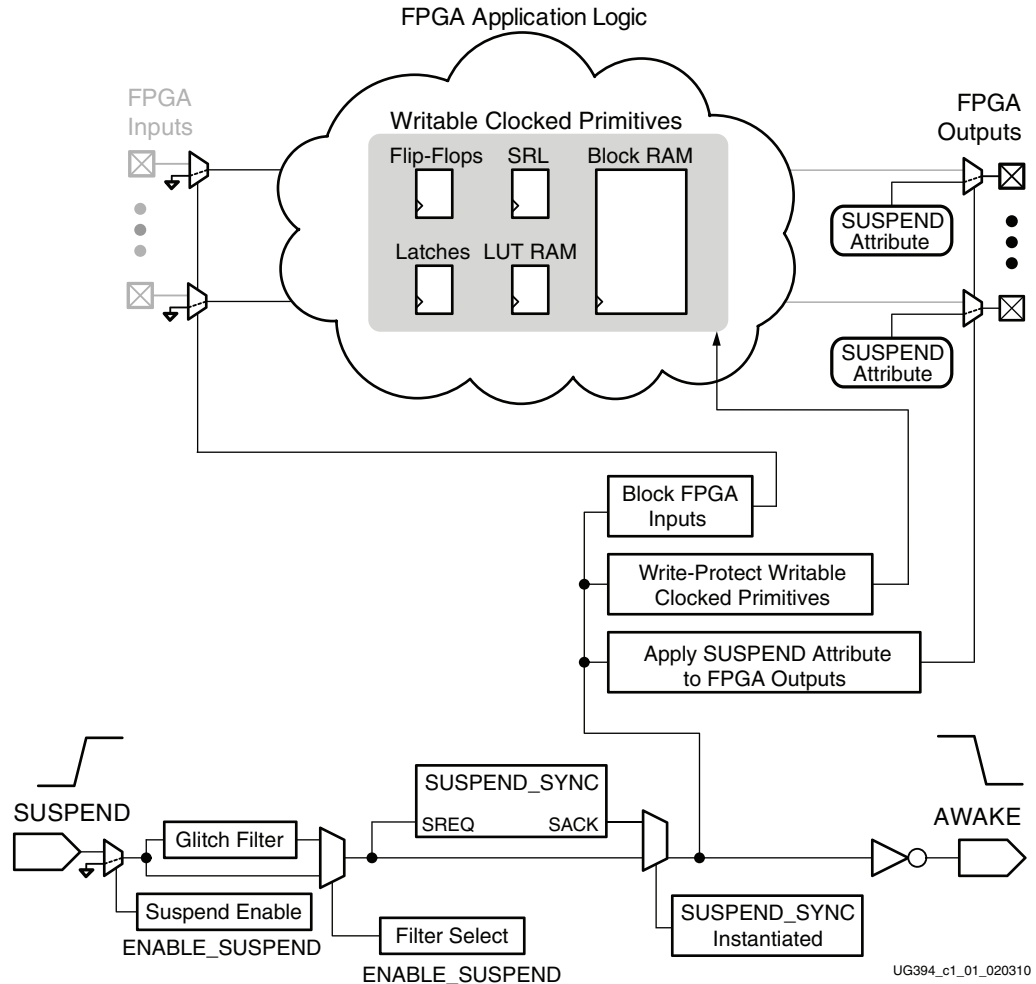


Figure 1-1: Entering Suspend Mode

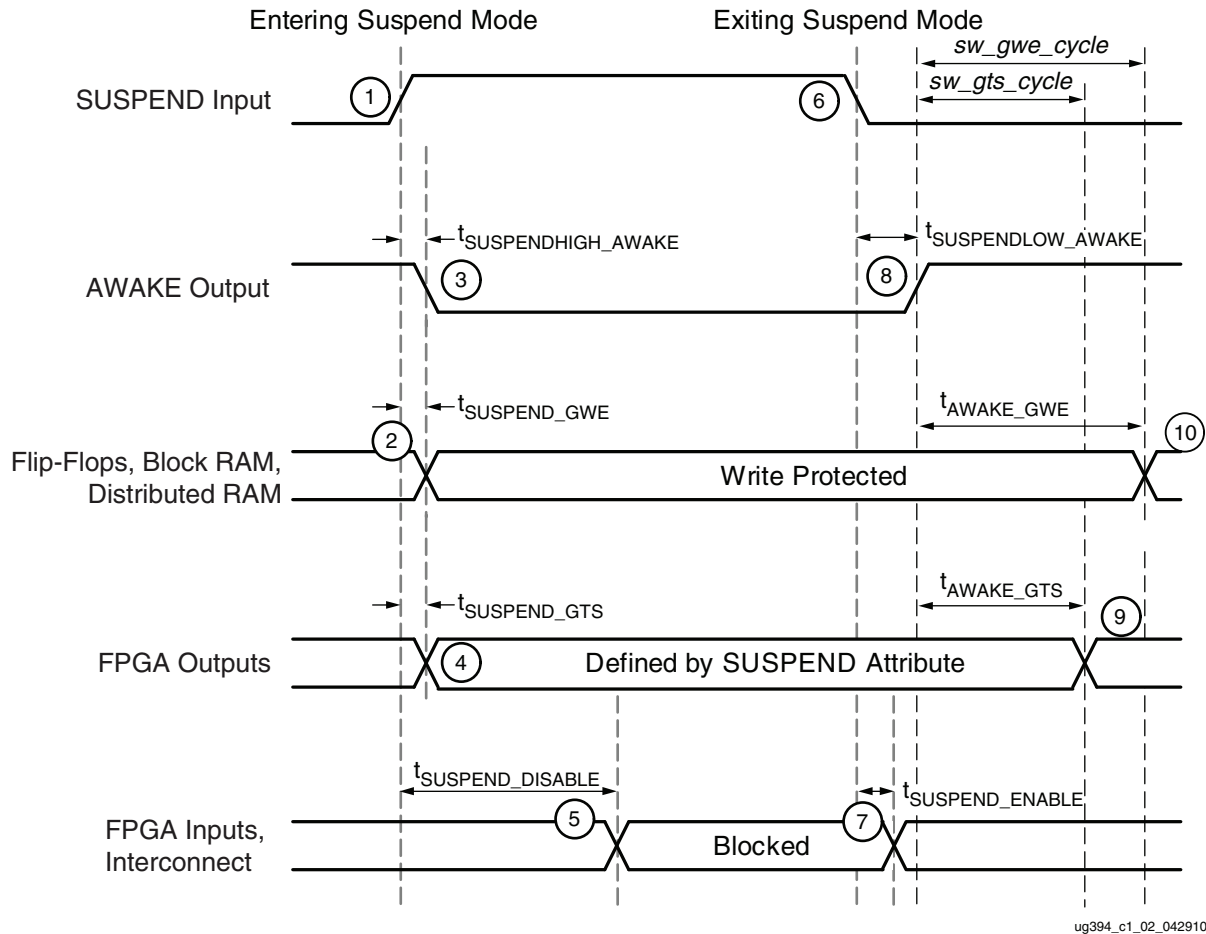
The FPGA can only enter suspend mode if enabled in the configuration bitstream (see [Enable the Suspend Feature and Glitch Filtering, page 16](#)). The SUSPEND pin must be Low during power up and configuration. Once enabled through the bitstream, and the SUSPEND\_SYNC primitive is not present in the design, when the SUSPEND pin is asserted, the FPGA unconditionally and quickly enters suspend mode.

If the SUSPEND\_SYNC primitive is present in the design, the FPGA does not enter suspend mode until the suspend-acknowledge signal (SACK) is asserted. After the SUSPEND pin is asserted, the SREQ port of the SUSPEND\_SYNC primitive transitions High. This can be used in the design to initiate any functions that must be completed prior to the FPGA entering suspend mode. When these functions are complete, drive the SACK port High.

After the FPGA enters suspend mode, all nonessential FPGA functions are shut down to minimize power dissipation. The FPGA retains all configuration data while in suspend mode. After entering suspend mode, all writable clocked primitives are write-protected against spurious write operations, and all FPGA inputs and interconnects are shut down. This allows the design state to be held static during suspend mode. If a specific design state must be maintained, see [Design Requirements to Maintain Application Data, page 19](#).

Each FPGA output pin or bidirectional I/O pin assumes its defined suspend mode behavior, which is described as part of the FPGA design using a SUSPEND attribute.

The AWAKE pin goes Low, indicating that the FPGA is in suspend mode. The DONE pin remains High while the FPGA is in suspend mode because the FPGA configuration data is not lost.



ug394\_c1\_02\_042910

Figure 1-2: Suspend Mode Waveforms (Entering and Exiting)

This section details the waveform notes in [Figure 1-2](#).

#### Entering Suspend in [Figure 1-2](#)

1. An external signal drives the FPGA's SUSPEND pin High, unconditionally forcing the FPGA into the power-saving suspend mode (if SUSPEND\_SYNC is not used). When SUSPEND\_SYNC is used, this phase does not complete until the SACK port of the SUSPEND\_SYNC primitive is asserted. Data values are captured for I/O pins with a SUSPEND attribute set to DRIVE\_LAST\_VALUE; however, this value is not presented until Step 4.
2. In response to the SUSPEND input going High or SACK assertion on the SUSPEND\_SYNC primitive, and after a delay of  $t_{\text{SUSPEND\_GWE}}$ , the FPGA write protects and preserves the states of all clocked primitives. The states of all flip-flops, block RAM, distributed RAM (LUT RAM), shift registers (SRL), and I/O latches are preserved during suspend mode.

3. After a delay of  $t_{\text{SUSPENDHIGH\_AWAKE}}$ , the FPGA drives the AWAKE output Low to indicate that it is entering suspend mode.
4. After a delay of  $t_{\text{SUSPEND\_GTS}}$ , the FPGA switches the normal behavior of all outputs over to the suspend mode behavior defined by the SUSPEND attribute assigned to each I/O. See [Define the I/O Behavior During Suspend Mode, page 17](#).
5. After a delay of  $t_{\text{SUSPEND\_DISABLE}}$ , FPGA inputs are blocked and the interconnect shut off (High) to prevent any internal switching activity.

#### Exiting Suspend in [Figure 1-2](#)

6. The system drives the FPGA's SUSPEND input Low, causing the FPGA to exit suspend mode. If using multi-pin wake-up mode, the system first drives the FPGA's SUSPEND input LOW, then drives any of the enabled multi-pin wake-up pins High, causing the FPGA to exit suspend mode. If any of the enabled multi-pin wake-up pins are High when the SUSPEND input goes Low, the FPGA exits suspend mode immediately.
7. The FPGA releases the inputs and interconnect after a delay of  $t_{\text{SUSPEND\_ENABLE}}$ , allowing signals to propagate internally. There is no danger of corrupting the internal state because all clocked primitives are still write protected.
8. After a delay of  $t_{\text{SUSPENDLOW\_AWAKE}}$  or  $t_{\text{SCP\_AWAKE}}$ , the FPGA asserts the AWAKE signal with the bitstream option **drive\_aware:yes**. If the option is **drive\_aware:no**, then the FPGA releases AWAKE to become an open-drain output. In this case, an external pull-up resistor is required or an external signal must drive AWAKE High before the FPGA continues to awaken. All subsequent timing is measured from when the AWAKE output transitions High. If multiple FPGAs are waking up and need to be synchronized, set **drive\_aware:no** in each and then use an external pull-up resistor to synchronize the AWAKE pins. If other devices are waking up and the FPGA(s) need to wait, set **drive\_aware:no** and use an external signal to control the AWAKE pin and drive it High once the rest of the system is ready.
9. After a delay of  $t_{\text{AWAKE\_GTS}}$ , the FPGA switches output behavior from the specified SUSPEND attribute to the function specified in the FPGA application. The timing of this switch-over is controlled by the suspend/wake **sw\_gts\_cycle** bitstream generation setting, which defines when the FPGA's internal global three-state (GTS) control is released. After the specified number of clock cycles, the outputs are active according to the normal FPGA application. By default, the outputs are enabled four clock cycles after AWAKE goes High. The outputs are generally released before the clocked primitives to allow signals to propagate out of the FPGA.
10. After a delay of  $t_{\text{AWAKE\_GWE}}$ , the writable, clocked primitives are released according to the suspend/wake **sw\_gwe\_cycle** bitstream generator setting, which defines when the FPGA's internal global write enable (GWE) control is asserted. After the specified cycle, it is again possible to write to flip-flops, block RAM, distributed RAM (LUT RAM), shift registers (SRL), and I/O latches. By default, the clocked primitives are released five clock cycles after AWAKE transitions High. The write-protect lock should be held until after outputs are enabled.

## Exiting Suspend Mode

There are four possible ways to exit suspend mode in a powered system:

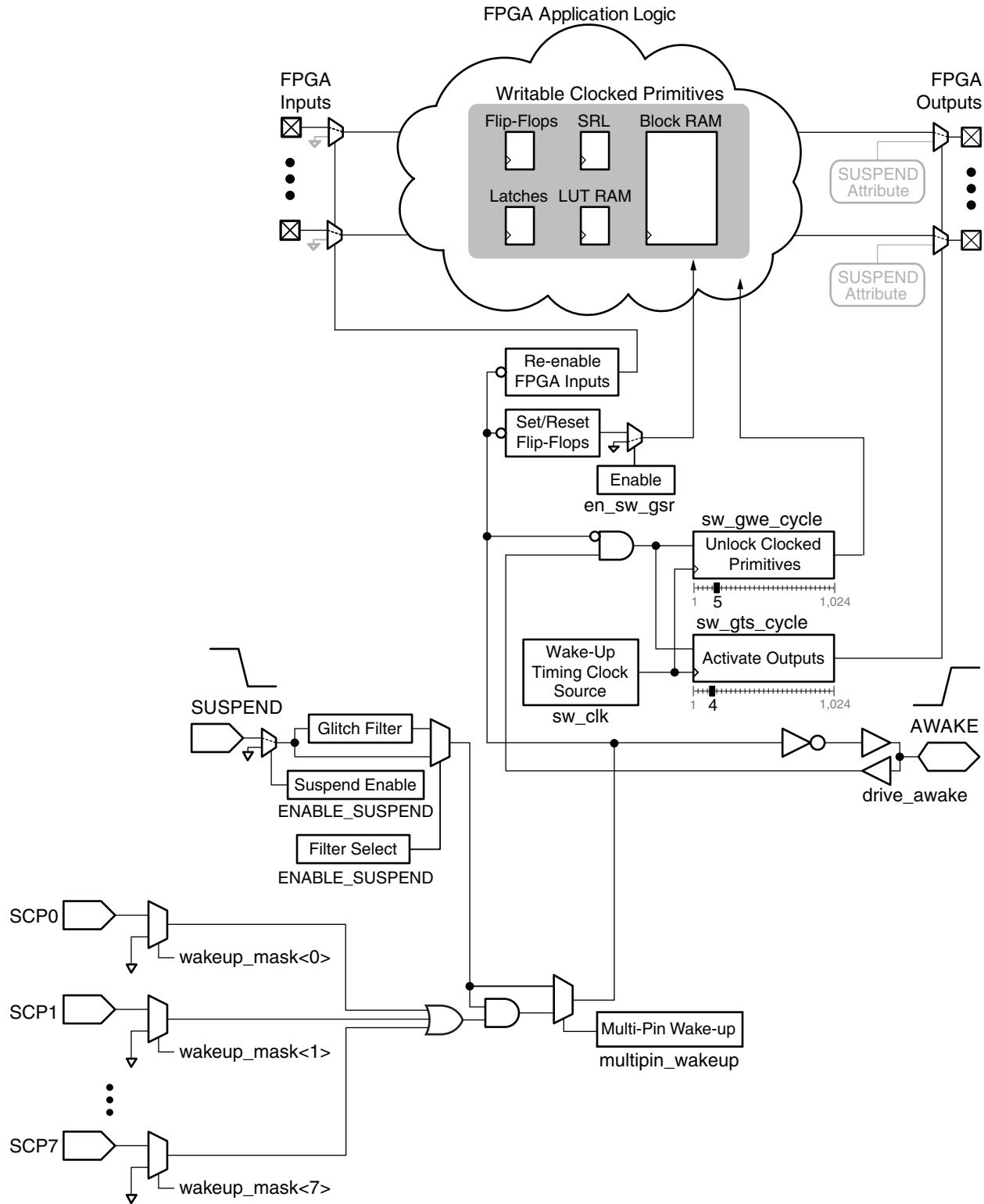
- Drive the SUSPEND input Low, exiting suspend mode.
- If multi-pin wake-up mode is enabled, drive the SUSPEND input Low and then assert any one of the user enabled SCP pins. If any of the user enabled SCP pins are High when the SUSPEND input goes Low, the FPGA exits suspend mode immediately.
- Pulse the PROGRAM\_B input Low to reset the FPGA and cause the FPGA to reprogram.
- Power cycle the FPGA, causing the FPGA to reprogram.

The block diagram in [Figure 1-3](#) shows how to exit suspend mode using the SUSPEND pin.

When SUSPEND transitions Low, the FPGA automatically re-enables all inputs and interconnects after a delay of  $t_{\text{SUSPEND\_ENABLE}}$ . If using multi-pin wake-up mode, SUSPEND must first transition Low, then when any of the user enabled SCP pins for multi-pin wake up mode transition High (or are already High), the FPGA re-enables all inputs and interconnects after a delay of  $t_{\text{SUSPEND\_ENABLE}}$ .

When enabled in the FPGA bitstream, all flip-flops are optionally globally set or reset according to the FPGA design description. By default, the flip-flops are not globally set or reset, which preserves the state of the FPGA application from the beginning of suspend mode.

The remaining wake-up process depends on two user-programmable timers which define when FPGA outputs are re-enabled and when the write-protect lock is released from all writable clocked primitives. These timers begin after the AWAKE pin is High. The wake-up timing clock source is also programmable.



UG394\_c1\_03\_042514

Figure 1-3: Exiting Suspend Mode

## PROGRAM\_B Programming Pin Always Overrides Suspend Mode

Pulsing the PROGRAM\_B programming pin Low always overrides suspend mode and forces the FPGA to restart configuration. Power-cycling the FPGA also restarts configuration. The SUSPEND pin should be Low during power up and configuration.

## Enable the Suspend Feature and Glitch Filtering

Before it can be used, the suspend power-saving feature must first be enabled in the FPGA bitstream. By default, the suspend feature is disabled and driving the SUSPEND pin has no effect. The suspend feature is enabled using the user constraints file (UCF), or through a bitstream generator (BitGen) option.

### User Constraints File Enable

Suspend mode is enabled and the SUSPEND input glitch filter option is defined using a CONFIG statement in a UCF. [Table 1-1](#) shows the available options. This is the recommended method for enabling suspend mode as this attribute also automatically reserves the AWAKE pin.

```
Config ENABLE_SUSPEND = "FILTERED" ;
```

**Table 1-1: Available Options for the ENABLE\_SUSPEND Attribute**

| Option     | Suspend Mode             | SUSPEND Pin Filter                          | AWAKE Pin  |
|------------|--------------------------|---|--|
| NO         | Suspend mode is disabled | Not applicable. Connect SUSPEND pin to GND. | Available as a user I/O pin in the FPGA application. |
| FILTERED   | Suspend mode is enabled  | Glitch filter is enabled.                   | AWAKE status indicator.                              |
| UNFILTERED |                          | Glitch filter is bypassed.                  |  |

### Bitstream Generator

Setting the en\_suspend bitstream option is an alternate way to enable the suspend mode. However, this method is not recommended because it does not automatically reserve the AWAKE pin in the application.

```
bitgen -g en_suspend:Yes
```

The following option enables the glitch filter on the SUSPEND pin.

```
bitgen -g suspend_filter:Yes
```



## Define the Multi-Pin Wake-Up Feature and Pins

The multi-pin wake-up feature is not required to use the suspend mode feature. If multi-pin wake-up is not enabled, suspend mode is enabled and disabled using just the SUSPEND pin. Multi-pin wake-up is enabled using a BitGen option.

```
bitgen -g multipin_wakeup:Yes
```

If multi-pin wake-up is enabled, select which pins are monitored for a High or a rising edge to bring the FPGA out of suspend mode. Eight SCP pins are used for the multi-pin wake-up feature. Select from one to eight of these pins to monitor. The SCP pins are dual-purpose user I/O pins and can be used as general-purpose I/O independent of the suspend options. Any pins that are not used can be masked out as inputs to the multi-pin wake-up. The option accepts two hex values for the mask. A value of FF enables all SCP pins, 0F enables SCP<3..0>.

```
bitgen -g wakeup_mask:FF
```

## Define the I/O Behavior During Suspend Mode

Use a SUSPEND attribute to define the behavior of each I/O and output pin during suspend mode.

### Single-Ended I/O Standards

Each output, open-drain output, or bidirectional I/O pin in the FPGA application that uses a single-ended I/O standard can be individually programmed for one of the suspend mode behaviors shown in [Table 1-2](#). The default behavior is for a high impedance pin during suspend mode although other options are available.

Table 1-2: Output Behavior Options during Suspend Mode

| SUSPEND Attribute   | Function   |
|---------------------|--|
| DRIVE_LAST_VALUE    | The output continues to drive the level that was last stored in the output latch, according to the chosen standard. Requires V <sub>CCO</sub> to remain at the recommended operating conditions for the bank.    |
| 3STATE<br>(default) | The output is in the high-impedance state with no active internal pull-up or pull-down resistor. Results in the lowest possible I/O current draw.  |
| 3STATE_PULLUP       | The output is in the high-impedance state with an internal pull-up resistor to the associated V <sub>CCO</sub> supply. Requires V <sub>CCO</sub> to remain at the recommended operating conditions for the bank. |
| 3STATE_PULLDOWN     | The output is in the high-impedance state with an internal pull-down resistor to GND.  |
| 3STATE_KEEPER       | The output is high impedance. The internal bus keeper circuit is active. Requires V <sub>CCO</sub> to remain at the recommended operating conditions for the bank.   |

### Differential I/O Standards

The output drivers for the LVDS, RSDS, mini-LVDS, PPDS, and TMDS differential I/O standards are high impedance, using any of the 3STATE attributes described in [Table 1-2](#). The DRIVE\_LAST\_VALUE attribute is not supported for differential output drivers.

Treat the pseudo-differential I/O standards, such as BLVDS, DIFF\_HSTL, and DIFF\_SSTL, as two single-ended I/O pins. All the attributes apply as for [Single-Ended I/O Standards](#)

although for any differential standard the settings must be set appropriately for both pins of the complementary pair.

When in the high-impedance state, the differential driver pair does not conduct current to the power or ground rails, or between adjacent pins.

## SUSPEND Attribute

The SUSPEND attribute allows each pin to have an individually defined behavior during suspend mode. The available options are listed in [Table 1-2](#).

### UCF Example

This UCF constraint example defines the suspend mode behavior for a specific pin. The SUSPEND attribute can be included on the same UCF line as other constraints for a pin.

```
Net "<net_name>" SUSPEND = "io_type" ;
```

UCF entries for a single-ended pin and a differential pair are shown in the following example:

```
NET "TX<0>" IOSTANDARD = LVCMOS_33 | SUSPEND = "DRIVE_LAST_VALUE" ;
NET "TX_P<0>" IOSTANDARD = LVDS_33 | SUSPEND = "3STATE_PULLUP" ;
NET "TX_N<0>" IOSTANDARD = LVDS_33 | SUSPEND = "3STATE_PULLDOWN" ;
```

## Design Maintained during Suspend Mode

After entering suspend mode, all writable clocked primitives are write-protected after a delay of  $t_{\text{SUSPEND\_GWE}}$ . The state of all clocked memory primitives is maintained during suspend mode.

- Logic block flip-flops
- I/O block latches and flip-flops
- Logic block distributed RAM (LUT RAM)
- Logic block shift registers (SRL)
- Block RAM and registers

When exiting suspend mode, all writable clocked primitives are re-enabled, controlled by the `sw_gwe_cycle` setting.

An additional bitstream option, `en_sw_gsr`, controls whether all clocked primitives are globally set or reset when the FPGA awakens from suspend mode. By default, **en\_sw\_gsr:No** signifies that clocked primitives are not set or reset when the FPGA awakens and all states are preserved.

## Design Requirements to Maintain Application Data

When a design requires that application data be preserved when entering suspend mode, the `SUSPEND_SYNC` primitive should be used. When the FPGA enters suspend mode, the global write enable (GWE) is removed, maintaining the state of all flip-flops and user RAM. The FPGA requires a delay of  $t_{\text{SUSPEND\_GWE}}$  between recognizing a High on the `SUSPEND` pin and disabling GWE internally. This is the first event after `SUSPEND` transitions High, before `AWAKE` toggles, and before the inputs are disabled if `SUSPEND_SYNC` is not used. During this delay, additional user clocks to flip-flops or RAM can continue to update their contents. Since the GWE signal can have some skew between locations on the device, some locations can be disabled while others remain enabled on the last clock edge before GWE takes full effect. This situation can be avoided when using the `SUSPEND_SYNC` feature. After the suspend request is driven out of the `SUSPEND_SYNC` primitive, disable the clocks and/or clock enables on the logic that must retain its current state. After the disable is complete, drive the `SACK` port of the `SUSPEND_SYNC` primitive and the FPGA begins the process to enter suspend mode.

To avoid initializing the flip-flops when exiting suspend mode, choose `en_sw_gsr:No`. Exiting suspend mode should be synchronized to a user clock to avoid race conditions corrupting the application data. Inputs are enabled first, allowing control signals to continue to hold off the toggling of storage primitives. The assertion of GWE can be synchronized to a user clock to align it with a system clock edge.

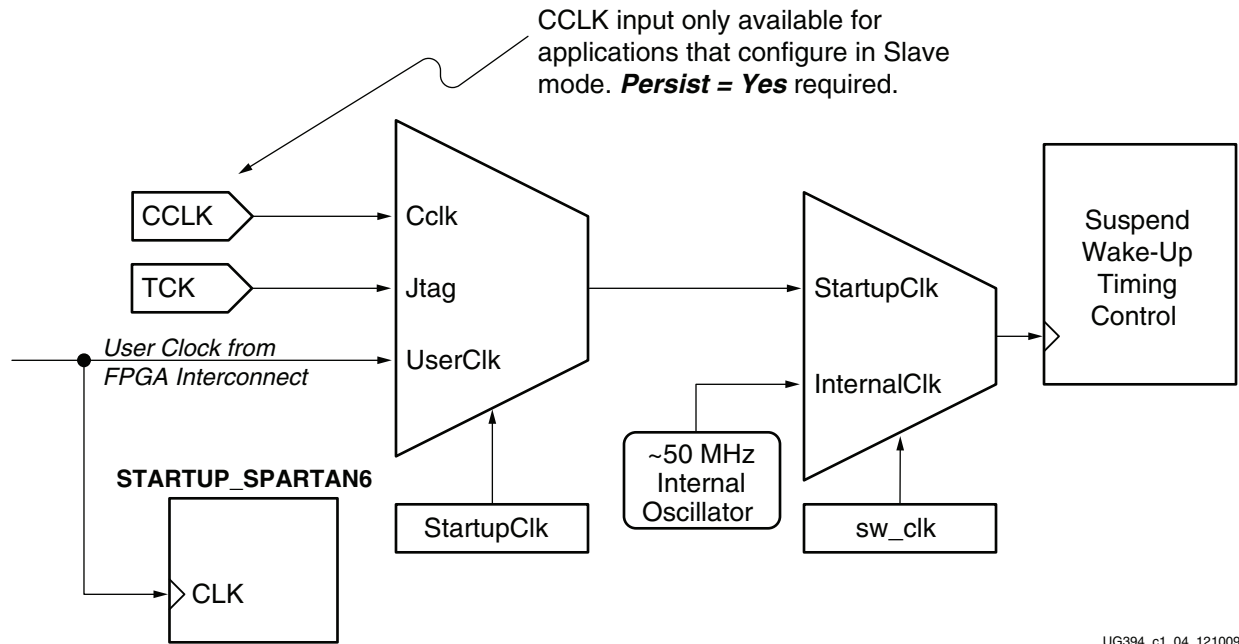
## Suspend Mode Wake-Up Timing Controls

When exiting suspend mode, the wake-up sequence for the FPGA is programmable and controlled by a single clock.

### Wake-Up Timing Clock Source

The wake-up timing when exiting suspend mode is controlled by a selectable clock source as shown in [Figure 1-4](#) and described in [Table 1-3](#). The clock source is defined by one or two bitstream generator options, `sw_clk` and sometimes `StartupClk`.

The internal oscillator is disabled during suspend mode to conserve power.



UG394\_c1\_04\_121009

Figure 1-4: Suspend Mode Wake-Up Timing Control Clock Selection

- The `sw_clk` option is specific to the suspend feature. By default, `sw_clk:InternalClk`.
- The `StartupClk` option is available on every application. The same option used to clock the start-up process at the end of configuration can be used to clock the wake-up process at the end of suspend. `StartupClk:Cclk` is the default; however, using this for suspend wake-up requires a persisted slave configuration mode. When using `sw_clk:StartupClk` and `StartupClk:Cclk`, and exiting suspend mode, the CCLK pin becomes the clock source. The `Persist` option also retains the dual-purpose configuration pins associated with the configuration logic.

Table 1-3: Clock Sources to Wake-Up from Suspend Mode

| sw_clk Setting | StartupClk Setting | Clock Source                                       | Restriction   |
|----------------|--------------------|--|---|
| InternalClk    | NA                 | Internal Oscillator                                | The oscillator has an imprecise frequency of about 50 MHz.  |
| StartupClk     | Cclk               | CCLK pin on FPGA                                   | This option is only available for FPGAs using Slave configuration mode. The bitstream option <b>Persist:Yes</b> must be set. This option is not available for FPGAs using the master configuration mode; use InternalClk instead. |
|                | JtagClk            | TCK pin on FPGA                                    | The JTAG interface must be active to exit suspend mode.   |
|                | UserClk            | CLK input on the STARTUP_SPARTAN6 design primitive | The clock input to the STARTUP design primitive can originate from any non-clocked signal in the FPGA. It cannot originate from a flip-flop source because all clocked primitives are write-protected while in suspend mode.      |

## Switch Outputs from Suspend to Normal Behavior

The suspend/wake `sw_gts_cycle` bitstream option controls when I/O pins are released from their SUSPEND attribute settings and returned to normal operation. The timing is controlled by the [Wake-Up Timing Clock Source, page 19](#). The default `sw_gts_cycle` setting is four cycles, but this control can be set for any value between one and 1,024 clock cycles.

The suspend/wake control becomes active after the AWAKE pin transitions High. After the specified number of clock cycles, all output, open-drain output, and bidirectional I/O pins transition from their suspend behavior, either the default 3STATE or individually specified using the SUSPEND attribute, back to the normal behavior specified in the original FPGA application.

The outputs should be released before releasing the write-protect lock on all clocked primitives.

## Release Write Protect on Clocked Primitives

The suspend/wake `sw_gwe_cycle` bitstream option controls when the write-protect lock is released on all clocked primitives.

The timing is controlled by `sw_clk` the [Wake-Up Timing Clock Source, page 19](#). The default `sw_gwe_cycle` setting is five cycles, but the suspend/wake control can be set for any value between one and 1,024 clock cycles.

This suspend/wake control becomes active after the AWAKE pin transitions High. After the specified number of clock cycles, the write-protect lock is released from all writable, clocked primitives such as flip-flops, block RAM, etc.

When the `en_sw_gsr:yes` option is set, the clocked primitives are already globally set or reset to the value specified in the original FPGA design before the write-protect lock is released. The option `en_sw_gsr:no` signifies that the state of the FPGA after entering suspend mode is preserved.

The outputs should be released before releasing the write-protect lock on all clocked primitives.

## Dedicated Configuration Pins Unaffected During Suspend Mode

The following dedicated configuration pins are unaffected when the FPGA is in suspend mode:

- JTAG pins: TDI, TMS, TCK, and TDO
- DONE pin
- PROGRAM\_B pin

## JTAG Operations Allowed During Suspend Mode

[Table 1-4](#) shows the JTAG operations permitted when the FPGA is in suspend mode. Executing these JTAG operations increases the FPGA's power consumption while in suspend mode.

Table 1-4: JTAG Operations Allowed during Suspend Mode

| Boundary-Scan Command | Description  |
|-----------------------|--|
| IDCODE                | Read the JTAG ID code that describes the Spartan-6 FPGA array type in the JTAG chain. This value is different from the Device DNA identifier, which is unique to every device. |
| BYPASS                | Enables BYPASS.  |
| USERCODE              | Read the user-defined code embedded in the FPGA bitstream.   |

Do not use any other JTAG instructions when in suspend mode or while transitioning into and out of suspend mode. Furthermore, do not enter suspend mode when performing a readback operation.

## SUSPEND Pin

When the suspend feature is enabled (see [Enable the Suspend Feature and Glitch Filtering, page 16](#)), the SUSPEND pin controls when the FPGA enters suspend mode. During normal FPGA operation, the SUSPEND pin must be Low. When High, the SUSPEND pin forces the FPGA into the low-power suspend mode. [Table 1-5](#) describes the functionality of the SUSPEND pin.

If the suspend feature is not enabled for an application (the application never enters low-power mode), then connect the SUSPEND pin to GND. Do not leave the pin floating or High.

Table 1-5: SUSPEND Pin Functionality

| ENABLE_SUSPEND Settings                      | SUSPEND Pin | Function  |
|--|-------------|---|
| NO (default)<br>Suspend Mode Disabled        | 0           | The suspend feature is disabled. The SUSPEND pin is unused and ignored. Connect the SUSPEND pin to GND.   |
| Filtered, Unfiltered<br>Suspend Mode Enabled | 0           | The FPGA performs the application described in the bitstream loaded into the FPGA during configuration. When the SUSPEND pin changes from High to Low, wake the FPGA from suspend mode. Return from suspend mode also depends on the SCP pins, if used. |
|  | 1           | Force the FPGA to enter power-saving suspend mode pending SACK assertion on SUSPEND_SYNC primitive, if used.  |

## Characteristics

The SUSPEND pin is an LVCMOS/LVTTL receiver, and power to the input buffer is supplied by the  $V_{CCAUX}$  power rail. The SUSPEND pin has no pull-up resistors during configuration, and the HSWAPEN control has no effect on the SUSPEND pin.

## SUSPEND Input Glitch Filter

The SUSPEND pin has a programmable glitch filter to guard against short pulses, which could cause the FPGA to spuriously enter suspend mode. Turning off the filter allows the FPGA to enter or exit suspend mode more quickly, but the application must guard against spurious pulses. The difference in delay is the  $t_{\text{SUSPENDFILTER}}$  value in [DS162, Spartan-6 FPGA Data Sheet: DC and Switching Characteristics](#). See [Enable the Suspend Feature and Glitch Filtering, page 16](#).

## SUSPEND\_SYNC Primitive

The SUSPEND\_SYNC primitive is the application interface to a suspend request. If this primitive is not present in the design, the FPGA begins the suspend sequence solely on the state of the SUSPEND pin.

When the SUSPEND\_SYNC primitive is in the design, after the SUSPEND pin is asserted High and the filter delay (when the glitch filter is enabled), the SUSPEND\_SYNC primitive drives the SREQ port High on the next rising clock edge on the CLK port. This indicates that a request has been received to enter suspend mode. The FPGA does not enter suspend mode until the SACK port is driven High on a rising edge of CLK.

This primitive provides an ideal interface for the application to complete any functions prior to entering suspend mode. Any I/O interface ports can be closed, buffers flushed, and clocks disabled to ensure the application is in a ready state prior to being suspended. For more details, see [Design Maintained during Suspend Mode, page 18](#).

## AWAKE Pin

The AWAKE pin (optionally) provides status on the suspend power-savings mode.

### General Behavior (Suspend Feature Disabled)

Unless the suspend feature is enabled, the AWAKE pin is a general-purpose user-I/O pin.

### AWAKE Pin Behavior when Suspend Feature is Enabled

If the suspend feature is enabled, then the AWAKE pin indicates the present state of the FPGA, as summarized in [Table 1-6](#). The AWAKE pin cannot be used by the FPGA application as a general-purpose I/O pin.

**Table 1-6: AWAKE Pin Status**

| AWAKE Pin | Indication   |
|-----------|--|
| 0         | The FPGA is presently in the low-power suspend mode. |
| 1         | The FPGA is active.                                  |

The AWAKE pin can further be configured as an open-drain output (the default) or a full-swing output driver, as shown in [Figure 1-5](#). This behavior is controlled by a bitstream generator (BitGen) option:

```
bitgen -g drive_aware:no
```

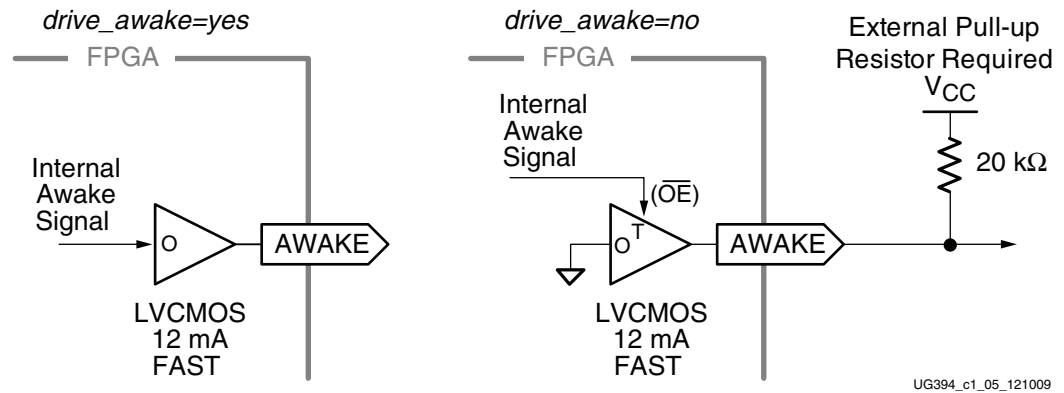


Figure 1-5: **AWAKE Output Drive Options if Suspend Mode Enabled**

The AWAKE output pin is supplied by the  $V_{CC0}$  power rail on bank 1.

When the option `drive_aware=yes` is set, the AWAKE pin is an active output driver, equivalent to a user I/O configured as LVC MOS, with a 12 mA output drive and a fast slew rate.

## Controlling Wake-Up from an External Source

The default option is `drive_aware=no`. The `drive_aware=no` option signifies that the AWAKE pin is an open-drain output capable of sinking 12 mA. In this case, an external pull-up resistor is required to exit suspend mode. To minimize the amount of current flow during suspend mode, the resistor value should be high. The resistor needs to be strong enough to overcome the I/O pin leakage. A large resistor value also equates to a longer AWAKE rise time. The FPGA does not exit suspend mode and begin the wake-up process until AWAKE transitions High.

## Synchronizing Wake-Up

The wake-up process can be synchronized across multiple FPGAs or between the FPGAs and the system by using one SUSPEND signal to control multiple devices. The AWAKE pin can also synchronize multiple devices. To start the wake-up process at the same time, the AWAKE pins of multiple FPGAs can be tied to a single pull-up resistor. The wake-up counters can also be synchronized if `sw_clk:StartupClk` and `StartupClk:UserClk`.

Holding the AWAKE pin Low delays the transition from suspend mode to active mode by holding off the `sw_gwe_cycle` and `sw_gts_cycle` counters, and allows an external controller to decide when to begin the wake-up process in the FPGA.

## Post-Configuration CRC Limitations When Using Suspend Mode

To minimize power, post-configuration CRC checking stops during suspend mode.

If an active application uses the post-configuration CRC feature and an error occurs, do not enter suspend mode. If there is a CRC error, the FPGA does not wake from suspend mode without reprogramming, such as asserting PROGRAM\_B or power-cycling the FPGA.



Several design options are possible:

1. Do not use the post-configuration CRC feature when the suspend mode feature is enabled and vice versa.
2. Always reprogram the device when a CRC error occurs.

Table 1-7 summarizes the various bitstream options associated with suspend mode.

**Table 1-7: Suspend Mode Bitstream Generator Options**

| Suspend Mode Bitstream Options | Options (Default)                | Description  |
|--------------------------------|----------------------------------|--|
| drive_aware                    | No (Default)                     | If suspend mode is enabled, indicates the present status on AWAKE using an open-drain output. An external pull-up resistor or High signal is required to exit SUSPEND mode.  |
|                                | Yes                              | If suspend mode is enabled, indicates the current status by actively driving the AWAKE output.   |
| en_sw_gsr                      | No (Default)                     | The state of all clocked primitives in the FPGA is preserved.  |
|                                | Yes                              | Pulses the GSR signal during wake-up, setting or resetting all clocked primitives, as originally specified in the FPGA application. The GSR pulse occurs before the AWAKE pin transitions High and before the <code>sw_gwe_cycle</code> and <code>sw_gts_cycle</code> settings are active.   |
| sw_clk                         | StartupClk (Default)             | Uses the clock defined by the <code>StartupClk</code> bitstream generator setting to control the suspend wake-up timing.   |
|                                | InternalClk                      | Uses the internally generated 50 MHz oscillator to control the suspend wake-up timing.   |
| sw_gwe_cycle                   | 1,...,5,...,1024<br>Default is 5 | After the AWAKE pin is High, indicates the number of clock cycles as defined by the <code>sw_clk</code> setting, when the global write-protect lock is released for writable clocked primitives (flip-flops, block RAM, etc.). The default value is five clock cycles after the AWAKE pin transitions High. Generally, this value is equal to or greater than the <code>sw_gts_cycle</code> setting. |
| sw_gts_cycle                   | 1,...,4,...,1024<br>Default is 4 | After the AWAKE pin is High, indicates the number of clock cycles as defined by the <code>sw_clk</code> setting, when the I/O pins switch from their <a href="#">SUSPEND Attribute, page 18</a> settings back to their normal functions. The default value is four clock cycles after the AWAKE pin goes High. Generally, this value is equal to or less than the <code>sw_gwe_cycle</code> setting. |
| multipin_wakeup                | No (Default)                     | Disables multi-pin wake-up.  |
|                                | Yes                              | Enables multi-pin wake-up.   |
| wakeup_mask                    | 0x00 (Default)                   | Masks out SCP<7:0>   |
|                                | <hex string>                     | FF enables SCP<7:0>, 0F enables SCP<3:0>.  |

## FPGA Voltage Requirements During Suspend Mode

During suspend mode, the  $V_{CCINT}$  and  $V_{CCAUX}$  rails must remain powered at the data sheet levels for Recommended Operating Conditions. However, the  $V_{CCO}$  supply to each of the I/O banks can be (potentially) turned off to conserve additional power, depending on system requirements. Optionally,  $V_{CCO}$  can be reduced during suspend mode, but this also affects the voltage levels for any output pin with a SUSPEND attribute set to DRIVE\_LAST\_VALUE.

The FPGA's power-on reset (POR) circuit continues to monitor the  $V_{CCINT}$  and  $V_{CCAUX}$  supplies. Although  $V_{CCO2}$  is an input to the POR circuit at initial power-on, the POR circuit does not monitor the  $V_{CCO}$  supplies after configuration. By default, if the  $V_{CCINT}$  or  $V_{CCAUX}$  supply dips below the minimum specified data sheet voltage limit, then the FPGA restarts configuration.

## Memory Controller Block

Recommendations and methods for using the memory controller block interface with the Spartan-6 FPGA suspend mode are found in [UG388](#), *Spartan-6 FPGA Memory Controller Block User Guide*.

## Voltage Supplies

### Introduction

Spartan-6 FPGAs have multiple voltage supply inputs, as shown in [Table 2-1](#). There are two supply inputs for internal logic functions,  $V_{CCINT}$  and  $V_{CCAUX}$ . Each of the I/O banks has a separate  $V_{CCO}$  supply input that powers the output buffers within the associated I/O bank.  $V_{CCO}$  is also used for input buffers for some I/O standards. A  $V_{REF}$  reference voltage is needed for HSTL/SSTL standards. The GTP transceivers have dedicated analog power rails (see [UG386](#), *Spartan-6 FPGA GTP Transceivers User Guide* for more details). The AES circuitry has its own power supplies for the encryption key, depending on how it is stored (see [UG380](#), *Spartan-6 FPGA Configuration User Guide* for more details).

**Table 2-1: Spartan-6 FPGA Voltage Supplies**

| Supply Input | Description  | Devices | Nominal Supply Voltage                               |
|--------------|--|---------|--|
| $V_{CCINT}$  | Internal core supply voltage. Supplies all internal logic functions, such as CLBs, block RAM, and DSP blocks. Input to the power-on reset (POR) circuit. Powers input signals for most standards at 1.2V, 1.5V, and 1.8V.        | All     | 1.2V; 1.0V (-1L) in lower-power Spartan-6 LX devices |
| $V_{CCAUX}$  | Auxiliary supply voltage. Supplies clock management tiles (CMTs), some I/O resources, some dedicated configuration pins, and JTAG interface. Powers input signals for most standards at 2.5V and 3.3V. Input to the POR circuit. | All     | 2.5V;<br>3.3V optional                               |
| $V_{CCO_0}$  | Supplies the output buffers in I/O bank 0, the bank along the top edge of the FPGA.  | All     | Selectable: 3.3V, 2.5V, 1.8V, 1.5V, or 1.2V          |
| $V_{CCO_1}$  | Supplies the output buffers in I/O bank 1, the bank along the right edge of the FPGA. During configuration in byte-wide peripheral interface (BPI) Parallel Flash Mode, connects to the same voltage as the Flash PROM.          | All     | Selectable: 3.3V, 2.5V, 1.8V, 1.5V, or 1.2V          |
| $V_{CCO_2}$  | Supplies the output buffers in I/O bank 2, the bank along the bottom edge of the FPGA. Connects to the same voltage as the FPGA configuration source. Input to the POR circuit.  | All     | Selectable: 3.3V, 2.5V, 1.8V, 1.5V, or 1.2V          |
| $V_{CCO_3}$  | Supplies the output buffers in I/O bank 3, the bank along the left edge of the FPGA.   | All     | Selectable: 3.3V, 2.5V, 1.8V, 1.5V, or 1.2V          |

Table 2-1: Spartan-6 FPGA Voltage Supplies (Cont'd)

| Supply Input  | Description   | Devices   | Nominal Supply Voltage                      |
|---------------|---|---|---|
| $V_{CCO\_4}$  | Supplies the output buffers in I/O bank 4, the bank along the top of the left edge of the FPGA in 6-bank devices.   | LX75/T, LX100/T, and the LX150/T in FG(G)676 and FG(G)900 | Selectable: 3.3V, 2.5V, 1.8V, 1.5V, or 1.2V |
| $V_{CCO\_5}$  | Supplies the output buffers in I/O bank 5, the bank along the top of the right edge of the FPGA in 6-bank devices.  | LX75/T, LX100/T, and the LX150/T in FG(G)676 and FG(G)900 | Selectable: 3.3V, 2.5V, 1.8V, 1.5V, or 1.2V |
| $V_{REF}$     | Input threshold voltage pins when HSTL/SSTL standards are used in the bank, otherwise user I/Os. When used as a reference voltage within a bank, all $V_{REF}$ pins within that bank must be connected. | All   | Varies                                      |
| MGTAVCC       | Power-supply pin for the transceiver mixed-signal circuitry.  | LXT   | 1.2V  |
| MGTAVCCPLL0/1 | Power-supply pin for the transceiver PLL  | LXT   | 1.2V  |
| MGTAVTTTX/RX  | Power-supply pin for the transceiver TX and RX circuitry.   | LXT   | 1.2V  |
| MGTAVTTRCAL   | Power-supply pin for the transceiver resistor calibration circuit.  | LXT   | 1.2V  |
| $V_{BATT}$    | Decryptor key memory backup supply. When key is not used, tie this pin to $V_{CC}$ or GND, or it can be left floating.  | LX75/T, LX100/T, LX150/T                                  | 3.3V  |
| $V_{FS}$      | Decryptor key EFUSE power supply pin for programming. When key is not being programmed, tie this pin to $V_{CC}$ or GND, or it can be left floating.  | LX75/T, LX100/T, LX150/T                                  | 3.3V  |

## $V_{CCINT}$

$V_{CCINT}$  is the primary power supply for the FPGA. In the Spartan-6 LXT family and the standard devices in the Spartan-6 LX family (-2 and -3 speed grades),  $V_{CCINT}$  has a nominal value of 1.2V. The lower-power Spartan-6 LX devices (-1L speed grade) uses a nominal  $V_{CCINT}$  of 1.0V. See [Chapter 3, Lower-Power Spartan-6 LX Devices](#).

## $V_{CCAUX}$

$V_{CCAUX}$  powers the auxiliary logic, including configuration logic and some internal and I/O resources. The Spartan-6 FPGA's  $V_{CCAUX}$  is either 2.5V or 3.3V. These two voltages provide greater flexibility and allow  $V_{CCAUX}$  to be set to the same level as an existing  $V_{CCO}$  rail, to minimize the number of power rails. Reducing  $V_{CCAUX}$  to 2.5V can reduce the power consumption on the  $V_{CCAUX}$  rail by 40%.

During configuration, if  $V_{CCO\_2}$  is 1.8V,  $V_{CCAUX}$  must be 2.5V. If  $V_{CCO\_2}$  is 2.5V or 3.3V,  $V_{CCAUX}$  can be either 2.5V or 3.3V. See [UG380, Spartan-6 FPGA Configuration User Guide](#).

The -1L speed grade devices require  $V_{CCAUX} = 2.5V$  when using the LVDS\_25, LVDS\_33, BLVDS\_25, LVPECL\_25, RS\_DS\_25, RS\_DS\_33, PP\_DS\_25, and PP\_DS\_33 I/O standards on inputs. See [DS162, Spartan-6 FPGA Data Sheet: DC and Switching Characteristics](#).

## Setting the $V_{CCAUX}$ Level

The user must set the CONFIG  $V_{CCAUX}$  attribute according to the voltage being provided to the  $V_{CCAUX}$  rails. The valid values for this attribute are 2.5 (default) or 3.3. This attribute affects the banking rules for I/O placement within the automated placer, as well as in the pin assignments tool. It also affects the end-generated bitstream for the device. The  $V_{CCAUX}$  attribute is a global attribute for the Spartan-6 device and is not attached to any particular primitive.

```
CONFIG VCCAUX=3.3;
```

## $V_{CCAUX}$ Specifications

Both the 2.5V and 3.3V settings for  $V_{CCAUX}$  allow a variation (2.375V to 2.625V, or 3.15V to 3.45V). The data retention voltage is the same for both at 2.0V, so more care must be taken with a 2.5V rail to not let it drop more than 0.5V. See [DS162](#), *Spartan-6 FPGA Data Sheet: DC and Switching Characteristics* for complete specifications.

The CONFIG  $V_{CCAUX}$  attribute is used by the ISE® Design Suite software to determine if LVCMOS25 inputs can be powered by  $V_{CCAUX}$ . If CONFIG  $V_{CCAUX} = 2.5$ ,  $V_{CCAUX}$  is used to power LVCMOS25 inputs. If CONFIG  $V_{CCAUX} = 3.3$ ,  $V_{CCO}$  must be 2.5V for any banks with LVCMOS25 inputs. Setting  $V_{CCAUX}$  to match whichever is more common between LVCMOS25 and LVCMOS33 can help optimize placement.

There are some slight changes to resistor values depending on whether  $V_{CCAUX}$  is set to 2.5V or 3.3V. The I/O pull-down resistor values are lower for a  $V_{CCAUX}$  of 3.3V. The differential termination resistor (DIFF\_TERM) can be more tightly controlled around 100Ω when  $V_{CCAUX}$  is 3.3V. See [DS162](#), *Spartan-6 FPGA Data Sheet: DC and Switching Characteristics* and the Spartan-6 FPGA IBIS models at:

<http://www.xilinx.com/support/download/index.htm>

## $V_{CCO}$

$V_{CCO}$  powers the I/O resources, and has separate rails for each bank of I/O for maximum flexibility. All of the  $V_{CCO}$  connections to a specific I/O bank must be connected to the same voltage. The  $V_{CCO}$  voltage can be 1.2V to 3.3V, depending on the output standard specified for a given bank. Most devices have four I/O banks, while the XC6SLX75/T and larger in the FG(G)676 and FG(G)900 packages offer six I/O banks. The  $V_{CCO}$  pins for a bank should all be tied to a supply rail, even if the bank is completely unused.

In a 3.3V-only application, all  $V_{CCO}$  supplies and  $V_{CCAUX}$  connect to 3.3V. Spartan-6 FPGAs allow bridging between different I/O voltages and standards by applying different voltages to the  $V_{CCO}$  inputs of different banks. Refer to the I/O banking rules section in [UG381](#), *Spartan-6 FPGA SelectIO Resources User Guide* for the I/O standards that can be mixed within a single I/O bank.

The Spartan-6 FPGA  $V_{CCO}$  ranges support variation around the nominal supply voltage. Refer to [DS162](#), *Spartan-6 FPGA Data Sheet: DC and Switching Characteristics* for specific voltage levels.

## $V_{REF}$

Each I/O bank also has a separate, optional input voltage reference supply, called  $V_{REF}$ . If the I/O bank includes an I/O standard that requires a voltage reference such as HSTL or SSTL, then all  $V_{REF}$  pins within the I/O bank must be connected to the same voltage. The  $V_{REF}$  pins are available as I/O pins if no standards within a bank require them.

Xilinx recommends always separating  $V_{REF}$  from  $V_{TT}$  as the  $V_{TT}$  supply can be very noisy. A stable  $V_{REF}$  using a small LDO is the desirable implementation. A voltage divider implementation is also possible. Knowledge of the PCB environment, such as frequency of coupled noise, is required to correctly calculate the resistance and capacitance values of the divider circuit. As a result, an isolated reference supply is usually a more robust and simpler approach. Refer to [UG381](#), *Spartan-6 FPGA SelectIO Resources User Guide* for more details on  $V_{REF}$ .

## Board Design and Signal Integrity

Building a working system today requires knowledge of the many options available. The advantages of feature size reduction and reduced power consumption have reduced core voltages down to the 1.0V range. This change in voltage and signal frequency content requires the use of advanced design practices to manage electrical effects. The documents and links on the Xilinx Signal Integrity website provides everything needed to achieve reliable PCB designs the first time:

<http://www.xilinx.com/products/technology/signal-integrity/index.htm>

### Simultaneously Switching Outputs

Ground or power bounce occurs when a large number of outputs simultaneously switch in the same direction. Each FPGA family provides guidelines for the recommended maximum allowable number of simultaneously switching outputs (SSOs). For more information on SSO, see the Simultaneously Switching Outputs section of [UG381](#), *Spartan-6 FPGA SelectIO Resources User Guide* and [DS162](#), *Spartan-6 FPGA Data Sheet: DC and Switching Characteristics*.

### Power Distribution System Design and Decoupling/Bypass Capacitors

Good power distribution system (PDS) design is important for all FPGA designs, especially for high-performance applications greater than 100 MHz. Proper design results in better overall performance, lower clock jitter, and a generally more robust system. Before designing the printed circuit board (PCB) for the FPGA design, review [UG393](#), *Spartan-6 FPGA PCB Design Guide*.

# Lower-Power Spartan-6 LX Devices

---

## Introduction

The lower-power Spartan-6 LX devices (-1L) meet lower quiescent and dynamic current levels than the standard Spartan-6 LX devices. They also operate at a reduced  $V_{CCINT}$  of 1.0V, versus the 1.2V of the standard Spartan-6 family, thus reducing core power. The lower-power Spartan-6 LX devices are supported by the -1L speed grade. Although the -1L devices are slower than the standard Spartan-6 LX family's slowest speed grade (-2), an additional 30–40% power savings is attained.

Use L1 as the speed grade when ordering the lower-power Spartan-6 LX devices, which is also the way the speed grade is marked on the device. For example, the FPGA ordered as the XC6SLX16-L1CSG324 is marked as either L1C for commercial temperature range or L1I for industrial temperature range.

## Designing Using the Lower-Power Spartan-6 LX Devices

To design for the lower-power Spartan-6 LX devices, select the appropriate device during implementation. A design targeted to the lower-power Spartan-6 LX devices can be defined using all the same methods and options as available to the standard Spartan-6 LX devices. All primitives that support the Spartan-6 LX family also support the lower-power Spartan-6 LX devices. The lower-power Spartan-6 LX devices can be selected using the ISE Design Suite in the Project Navigator. Different from the ordering code or actual device marking, the Xilinx tools display the part number with an appended L (for example, XC6SLX16L). The only speed grade supported for these devices is the -1L. The same speed grade supports both the commercial and industrial temperature ranges.

The resulting bitstream is identical in format between the standard Spartan-6 LX devices and the lower-power Spartan-6 LX devices. The JTAG device IDCODEs are identical and the iMPACT software identifies the device under the same standard Spartan-6 FPGA part number. However, there are small implementation differences between the two families, including a reset circuit used for the DCM CLKFX output (see the *RST Input Logic* section of [UG382, Spartan-6 FPGA Clocking Resources User Guide](#)), and differences in block RAM configuration. Therefore, the designer must target the correct device both to generate the correct timing information, and to account for implementation differences between the two families. The standard and lower-power Spartan-6 LX device bitstreams can not be used in both families. A standard Spartan-6 LX device should not be powered at 1.0V, and a lower-power Spartan-6 LX device should not be powered at 1.2V.

Table 3-1 summarizes the designations for a member of the lower-power Spartan-6 LX devices.

Table 3-1: Lower-Power Spartan-6 LX Device Designation Examples

| Designation         | Example  |
|---------------------|--|
| Ordering Code       | XC6SLX16-L1CSG324C                                 |
| Mark                | XC6SLX16<br>CSG324<br>DxxxxxxxA (lot code)<br>L1C  |
| Software Family     | In software choose:<br><b>Spartan6 Lower Power</b> |
| Software Device     | XC6SLX16L-1LCSG324                                 |
| Speed Specification | -1L  |

## Lower-Power Spartan-6 LX Device Specifications

Several specifications are different for the lower-power Spartan-6 LX devices than in the standard Spartan-6 LX family. All of the differences are listed in [DS162, Spartan-6 FPGA Data Sheet: DC and Switching Characteristics](#).

The lower-power Spartan-6 LX devices require a  $V_{CCINT}$  of 1.0V  $\pm$ 5%, or 0.95V to 1.05V. It is not tested or guaranteed at 1.2V, and therefore the  $V_{CCINT}$  cannot be scaled up and down between 1.2V and 1.0V. In the same way, a standard Spartan-6 LX device cannot be operated at 1.0V.

The lower-power Spartan-6 LX devices have lower-power specifications, as seen in the data sheet for quiescent current, and in the Power Estimators for both quiescent and dynamic current and power. See [Chapter 5, Power Estimation](#).

Because of the reduction in maximum  $V_{CCINT}$ , the maximum time for ramping up is shorter. See the  $V_{CCINTR}$  ramp time specification in [DS162, Spartan-6 FPGA Data Sheet: DC and Switching Characteristics](#).

Because the I/O thresholds for LVCMOS12, LVCMOS15, and LVCMOS18 are based on the  $V_{CCINT}$  level, they are slightly lower for the lower-power Spartan-6 LX devices than the standard Spartan-6 family. See the *SelectIO Interface DC Input and Output Levels* table in [DS162, Spartan-6 FPGA Data Sheet: DC and Switching Characteristics](#).

The lower-power Spartan-6 LX devices require  $V_{CCAUX} = 2.5V$  when using the LVDS\_25, LVDS\_33, BLVDS\_25, LVPECL\_25, RSDS\_25, RSDS\_33, PPDS\_25, and PPDS\_33 I/O standards on inputs. LVPECL\_33 is not supported in these devices.

Lower-power Spartan-6 LX devices only support tap 0 of the IODELAY2.



# Power-On and Power-Down Behavior Including Hibernate

## Introduction

Spartan-6 FPGAs are designed for maximum system flexibility and reliability when powering up and powering down. During power-on, the device ensures reliable configuration by waiting until a fixed time after the supply rails are valid. During power-down or hibernate, the device disables the outputs and awaits re-application of power to reconfigure. Both power-up and power-down are enhanced by the hot swap compliance of the I/O, allowing the FPGA to be moved in or out of a powered system without damage.

## Power-On Reset

Spartan-6 FPGAs have a built-in power-on reset (POR) circuit that monitors the three power rails required to successfully configure the FPGA (see Figure 4-1). At power-up, the POR circuit holds the FPGA in a reset state until the  $V_{CCINT}$ ,  $V_{CCAUX}$ , and  $V_{CCO_2}$  supplies reach their respective input threshold levels. A time  $t_{POR}$  after all three supplies reach their respective thresholds, the POR reset is released and the FPGA begins its configuration process.

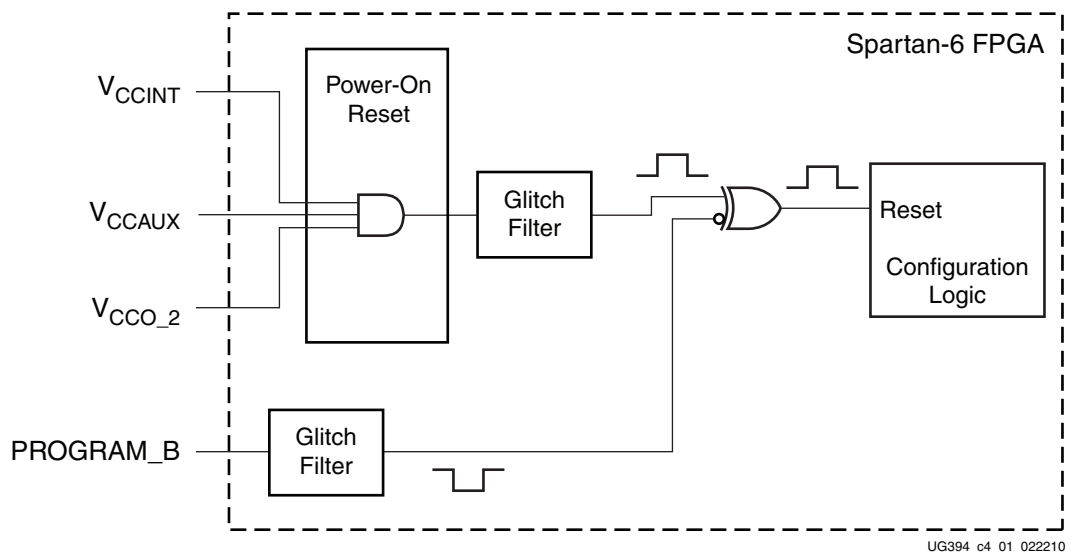


Figure 4-1: Simplified POR Circuit Diagram

The  $V_{CCO\_2}$  supplies are part of the POR circuit, because the primary configuration pins are in bank 2.  $V_{CCO\_2}$  is typically at 2.5V or 3.3V for the configuration interface. Make sure  $V_{CCO\_2}$  reaches the proper level for POR and for configuration, especially if it is reduced after configuration for a lower-voltage I/O standard such as LVCMOS15 or LVCMOS12.

For information on the power-on reset step as part of the configuration process, see *Device Power-Up* in [UG380, Spartan-6 FPGA Configuration User Guide](#).

## Supply Sequencing

The Spartan-6 FPGA can be powered up and powered down in any sequence. Because the three FPGA supply inputs must be valid to release the POR and can be supplied in any order, there is no FPGA-specific voltage sequencing requirement. Although the FPGA has no specific voltage sequence requirements, any potential sequencing requirement of the configuration device attached to the FPGA, such as an SPI serial Flash PROM, a parallel NOR Flash PROM, or a microcontroller should be considered. For example, Flash PROMs have a minimum time requirement before the PROM can be selected, and this time must be considered if the 3.3V supply is the last in the sequence. See *Power-On Sequence Precautions* in [UG380, Spartan-6 FPGA Configuration User Guide](#).

## Ramp Rate

The power supplies should ramp monotonically within the power supply ramp time range specified in [DS162, Spartan-6 FPGA Data Sheet: DC and Switching Characteristics](#). To ensure successful power-on,  $V_{CCINT}$ ,  $V_{CCO}$  bank 2, and  $V_{CCAUX}$  supplies must rise through their respective threshold-voltage ranges with no dips. The maximum ramp time for  $V_{CCINT}$  in the lower-power Spartan-6 LX devices is slightly lower than for the standard family because of the reduced voltage.

## Hot Swap

Hot swap, also known as hot plug or hot insertion, refers to plugging an unpowered board into a powered system. To support hot swap, an unpowered board or device must be able to be plugged directly into a powered system or backplane without affecting or damaging the system or the board/device. Spartan-6 FPGAs are fully hot swap compliant and include the following I/O features:

- Signals can be applied to I/O pins before powering the device
- I/O pins are high-impedance (that is, three-stated) before and throughout the power-up and configuration processes
- There is no current path from the I/O pin back to the voltage supplies

Power rails can be disabled in any order without damage to the FPGA. It is recommended that all I/O pins be ignored after any of the power rails ( $V_{CCINT}$ ,  $V_{CCO}$ , or  $V_{CCAUX}$ ) drops below its minimum operating voltage. To transition cleanly from valid signals to the disabled state, either first disable the outputs in the design, or shut down  $V_{CCO}$  followed by  $V_{CCAUX}$  and then  $V_{CCINT}$ .

## Configuration Data Retention and Brown Out

The FPGA's configuration data is stored in robust CMOS configuration latches. The data in these latches is retained even when the voltages drop to the minimum levels necessary to preserve RAM contents, as specified in [DS162](#), *Spartan-6 FPGA Data Sheet: DC and Switching Characteristics* ( $V_{DRINT}$  and  $V_{DRAUX}$ ).

After configuration, if the  $V_{CCAUX}$  or  $V_{CCINT}$  supply drops below its minimum data retention voltage, the integrity of the CMOS configuration latches is no longer guaranteed, and the current device configuration must be cleared using one of the following methods:

- Force the  $V_{CCAUX}$  or  $V_{CCINT}$  supply voltage to GND, then raise the voltages back to the recommended operating range (as shown in [DS162](#), *Spartan-6 FPGA Data Sheet: DC and Switching Characteristics*)
- Assert PROGRAM\_B Low, then raise it back High

The POR circuit does not monitor the  $V_{CCO_2}$  supply after configuration. Consequently, dropping the  $V_{CCO_2}$  voltage does not reset the device by triggering a POR event. The PROGRAM\_B input bypasses the POR circuit (see [Figure 4-1](#), [page 33](#)) and therefore can be used as an independent means to initialize the FPGA.

After the INIT\_B signal goes High to indicate successful clearing of the FPGA, reconfigure the FPGA.

## GTP Transceiver Power-Up and Power-Down

All GTP\_DUAL tiles are reset automatically after configuration. The supplies for the calibration resistor and calibration resistor reference must be powered up before configuration to ensure correct calibration of the termination impedance of all transceivers.

The reference clock and the power to the GTP\_DUAL tile must be available before configuring the FPGA. If the reference clock or GTP\_DUAL tile is powered up after configuration, apply GTPRESET to allow the PMA PLL to lock.

The GTP transceiver supports a range of power-down modes. These modes support both generic power management capabilities as well as those defined in the PCI Express and SATA standards.

Each channel in each direction can be powered down separately using TXPOWERDOWN and RXPOWERDOWN. Each PLLPOWERDOWN port directly affects the associated PLL that is selected by the PLL\_SOURCE attribute.

For more details on the GTP Transceivers, see [UG386](#), *Spartan-6 FPGA GTP Transceivers User Guide*, Managing Used and Unused GTP Transceivers, Board Design Guidelines.

## Hibernate Power Down

Hibernate is effectively powering down the FPGA ([Figure 4-2](#)). Due to the hot swap compliance of the Spartan-6 family, this is allowed even if external devices are still providing active signals to the FPGA. The FPGA loses its configuration data and must be re-programmed after power-on. Hibernate provides the maximum possible power savings for applications that can be turned off for long periods of time and that can afford to lose the present design state.

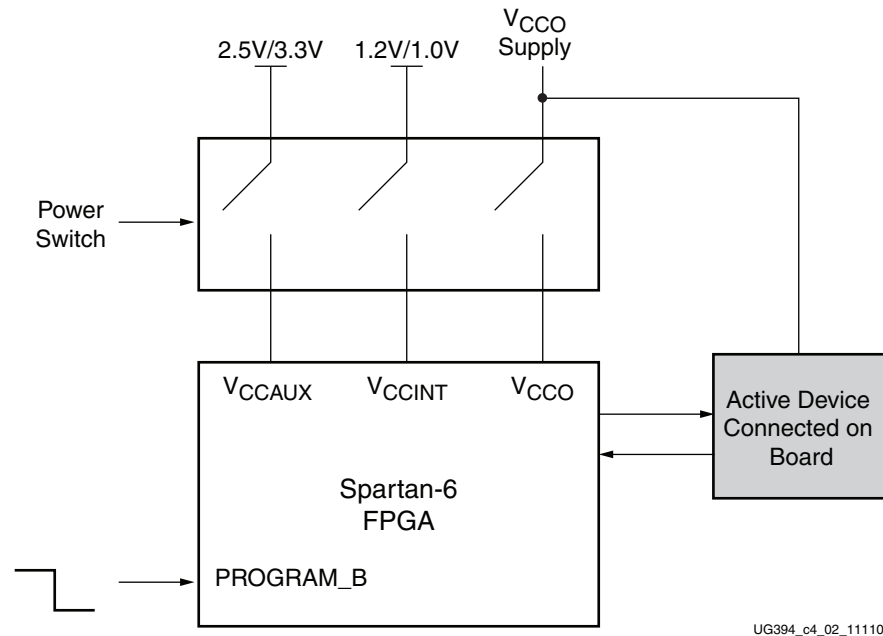


Figure 4-2: Spartan-6 FPGA Power-Off Diagram

## Forcing FPGA to Quiescent Current Levels

Before removing the power supplies, it is recommended to first put the device into the quiescent state. Pulse PROGRAM\_B Low to achieve the quiescent current levels. Driving PROGRAM\_B Low forces all I/Os into a high-impedance state, ceases all internal switching, and converts the bitstream held in internal memory to all zeros. During and after the Low pulse on PROGRAM\_B, disable the internal pull-up resistors on all I/Os by driving the HSWAPEN input High. Holding PROGRAM\_B Low continues clearing the configuration memory. To minimize quiescent current, release PROGRAM\_B High but hold off configuration by holding INIT\_B Low, or by setting the Mode pins to a slave or JTAG configuration mode and disabling the external configuration clock (CCLK or TCK).

To restart the application, release PROGRAM\_B High and in slave or JTAG modes, enable the external configuration source. The FPGA must reconfigure before the application restarts. No state information is preserved. If the application must retain the FPGA configuration bitstream, then use the suspend mode.

## Entering Hibernate State

Hibernate starts with the approach described in [Forcing FPGA to Quiescent Current Levels, page 36](#). Hibernate provides further power savings by switching off power rails. This state reduces quiescent power consumption to the lowest possible level. The FPGA enters Hibernate by switching off the V<sub>CCINT</sub> (core), V<sub>CCAUX</sub> (auxiliary), and V<sub>CCO</sub> (output) power supplies. Power FETs with low on resistance are recommended to perform the switching action. Configuration data is lost upon entering Hibernate; therefore, the device reconfigures after exiting the state.

Holding the PROGRAM\_B input Low during the transition into Hibernate keeps all FPGA output drivers in a high-impedance state. Release PROGRAM\_B after re-applying power. See [Design Considerations, page 38](#) for recommended levels on Dedicated and Dual-Purpose pins.

## Turn Off $V_{CC0}$

Spartan-6 FPGA I/O pins have a floating-well structure, providing full hot-swap/hot-insertion capability. When a Spartan-6 FPGA is in the Hibernate state, the  $V_{CC0}$  supply can be safely turned off without adversely affecting either the FPGA or the external application. When entering the Hibernate state,  $V_{CC0}$  should be turned off first to disable the outputs without any unwanted transitions.

Figure 4-3 shows the waveforms for entering and exiting Hibernate. The steps for entering Hibernate are as follows:

1. Pull the PROGRAM\_B pin Low to force all user-I/O pins into a high-impedance state.
2. The FPGA drives the INIT\_B and DONE pins Low.
3. External switches turn off the  $V_{CCINT}$ ,  $V_{CCAUX}$ , and  $V_{CC0}$  supply rails to the FPGA.
4. The FPGA is now in Hibernate. While the FPGA is kept in this state, power consumption rests at the lowest possible level.

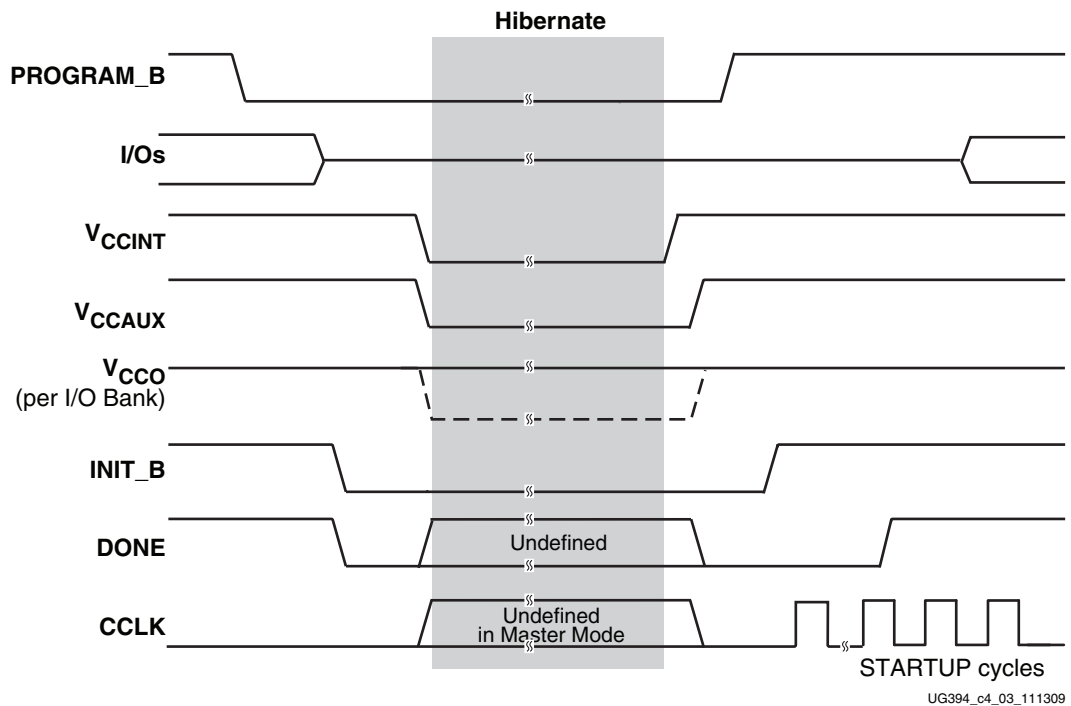


Figure 4-3: Hibernate Waveform

## Exiting Hibernate

The steps for exiting Hibernate are as follows.

1. Reapply power to all rails that were switched off. Apply power in any sequence.
2. Before FPGA initialization can begin, deassert PROGRAM\_B to a High logic level. The rising transition on PROGRAM\_B must occur after turning all three power supplies back on.
3. After logic initialization, the FPGA releases the open-drain INIT\_B signal. With INIT\_B High, the FPGA starts its configuration process.
4. When configuration is complete, the FPGA enters the Start-up phase, asserts DONE, and enables the I/Os, according to how the BitGen options are set.
5. The FPGA is now ready for user operation.

## Design Considerations

Be aware of how various pins are powered in the application. Most user-I/O pins, including the dual-purpose configuration pins and the dedicated PROGRAM\_B and DONE pins, are powered by a specific  $V_{CCO}$  supply input. Dedicated configuration pins such as SUSPEND and the JTAG pins are powered by the  $V_{CCAUX}$  supply. If disconnecting power to any of these supplies, consider how that affects FPGA configuration when power is re-applied.

For specific information on configuration pins and their associated power rails, refer to [UG380](#), *Spartan-6 FPGA Configuration User Guide*.

# Power Estimation

---

## Introduction

Xilinx provides a complete power estimation solution using power estimators and analyzers, power-driven implementation tool algorithms, and a variety of power-related documentation. The Power Advantage page provides access to these tools, documentation, and news:

<http://www.xilinx.com/products/technology/power/index.htm>

To estimate the total power consumption (quiescent plus dynamic) for a specific design use one of the following tools:

- The XPower Power Estimator spreadsheet provides quick, approximate estimates, and does not require the design's netlist.
- The XPower Analyzer is delivered with the ISE Design Suite software and uses a netlist as input to provide more accurate estimates.

The XPower Power Estimator (XPE) spreadsheet is a power estimation tool typically used in the pre-design and pre-implementation phases of a project. XPE assists with architecture evaluation and device selection, and helps in selecting the appropriate power supply and thermal management components. For comparison and analysis, the XPE spreadsheet for the Spartan-6 family also includes the Extended Spartan-3A family.

XPE considers the resource usage, toggle rates, I/O loading, and many other design factors. Combined with device models, the estimated power distribution can be calculated in XPE. The device models are extracted from measurements, simulation, and/or extrapolation.

After implementation, the XPower Analyzer (XPA) tool (available in the ISE Design Suite software) is used for more accurate estimates and power analysis. For more information about XPA, see the XPower Analyzer Help.

## Voltage Regulators

The choice of a voltage regulator depends on system requirements and the estimated power consumption requirements for the FPGA. Use the XPower tools to calculate the requirements for a specific device and design. Then choose a regulator from a pin-compatible family so the current capability can be adjusted up or down. External power FETs are easy to upgrade. A soft-start feature that controls output ramp time is useful.

With care, use of overcurrent protection is possible, such as foldback or fuses. Be aware that capacitors are charging at power-on and might draw a significant amount of current for a short time.

If necessary, slow the supply voltage ramp to control the charge current. If foldback is not a design requirement, it is best to avoid it, keeping the power-supply design simple.

Various power-supply manufacturers offer complete power solutions for Xilinx FPGAs including some with integrated three-rail regulators specifically designed for Xilinx FPGAs.

## Saving Power

Lower-power consumption not only reduces power supply requirements but also reduces heat, which increases reliability, allows for smaller form factor packaging, and helps eliminate heat sinks and fans. Spartan-6 FPGAs are designed to minimize power consumption without sacrificing high performance and low cost.

The lowest power state is the quiescent state with no inputs toggling, all outputs disabled, and no pull-up or pull-down resistors in use. This static power state is often dominated by transistor leakage current, which can increase at smaller process geometries. Xilinx has made major advances in the design of the 45 nm Spartan-6 devices. Comparing Spartan-6 FPGAs to Spartan-3A FPGAs, the average static power in Spartan-6 devices is lower. Quiescent current levels are specified in [DS162](#), *Spartan-6 FPGA Data Sheet: DC and Switching Characteristics*. The lower-power Spartan-6 LX devices offer the lowest quiescent current.

Dynamic (active) power is a function of capacitance, voltage, and frequency ( $CV^2f$ ). In general, capacitance decreases as transistors shrink. But smaller transistors allow users to take advantage of more of them per device, while using faster switching rates, which can lead to increases in dynamic power. Dynamic power consumption can be reduced by reducing the number or frequency of nodes and I/O toggling in a design. Consider the following techniques to eliminate any unnecessary switching in a design and reduce dynamic power:

- Bring all incoming signals to a static state
- Apply rail-to-rail levels to inputs wherever possible
- Turn off as many outputs as possible
- Assign signal standards with small swings to outputs
- Use lower output drive and slower slew rates
- Tie all unused inputs to  $V_{CC0}$  or GND outside the device
- Avoid instantiating pull-up and pull-down resistors on I/Os
- Reduce the total length of heavy loaded signals to reduce capacitance
- Disable as many internal oscillating circuits as possible
- Have block RAMs operate in NOCHANGE mode to reduce toggling of the outputs of the block RAM



## Saving Clock Routing Power

Clocks are a significant aspect of power consumption because of their high fanout nets and also because controlling them limits the number of logic primitives toggling in a design. If possible, stop the clock where it enters the FPGA, so that it does not consume any FPGA power. If the clock can not be gated externally, then disable it inside the FPGA using the BUFGCE primitive. Avoid using logic to gate clocks, since CLB logic introduces route-dependent skew and makes the design sensitive to the timing hazards of lot-to-lot variations. Minimizing the amount of routing a clock net uses is helpful, since the Xilinx software automatically disables clock nets where possible for unused areas of CLBs.

If possible, minimize the number of DCMs or PLLs required in the design. A single PLL can be shared with both halves of a GTP\_DUAL transceiver. A DCM\_CLKGEN can be used to dynamically scale clock frequency as needed for the application, helping to minimize power.

## ISE Design Suite Power Optimization

Power can also be reduced automatically in the Xilinx design tools. With goal-based implementation, the ISE Design Suite offers a simple, one-step process to specify power optimization. Design Goals and Strategies control the implementation tools by using preset process properties designed to achieve a particular design goal. Power optimization attempts to meet timing constraints as well as reduce power consumption.

For guidelines on design techniques to reduce power consumption, see the Power Advantage page at:

<http://www.xilinx.com/products/technology/power/index.htm>

